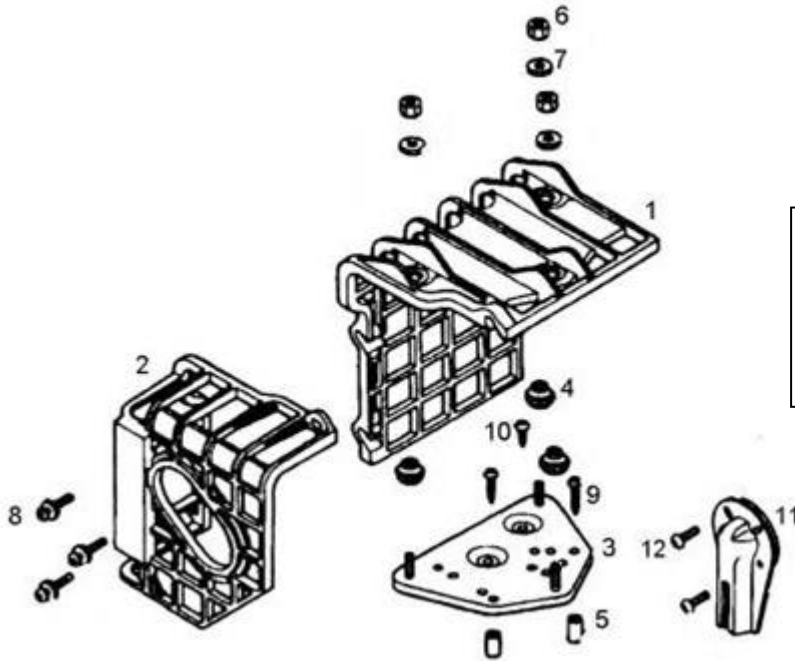


ENGINE ACCESSORIES

HONDA

PARTNUMBER:	06185-ZH8-W510
NAME:	EN-GUARD (PLASTIC TYPE) WITH DEFLECTOR
APPLICATION:	HEAT PROTECTION AND DEFLECTION OF EXHAUST GAS FOR GX 120 / GX 160 UT2 (STD AND SILENT MUFFLER) AND GX 200 UT2 (STD MUFFLER)
PACKING:	1 PIECE/SET



REMARK
TAPPING SCREW (REF 9)
MUST BE MOUNTED IN
HOLES '2' MENTIONED ON
BASE COMP.(REF 3)

<u>REF</u>	<u>NAME</u>	<u>QTY</u>	<u>REF</u>	<u>NAME</u>	<u>QTY</u>
1	muffler cover comp.	1	7	plain washer 5mm	3
2	rear muffler cover comp.	1	8	screw washer 6x20	3
3	muffler cover base comp.	1	9	tapping screw 5x25	2
4	muffler cover spacer	3	10	tapping screw 5x8	1
5	air cleaner case collar	2	11	deflector	1
6	hex.nut 5mm	3	12	tapping screw 4x6	2