

## INTRODUCTION

Thank you for purchasing a Honda engine. We want to help you to get the best results from your new engine and to operate it safely. This manual contains information on how to do that; please read it carefully before operating the engine. If a problem should arise, or if you have any questions about your engine, consult your servicing dealer.

All information in this publication is based on the latest product information available at the time of printing. Honda Motor Co., Ltd. reserves the right to make changes at any time without notice and without incurring any obligation. No part of this publication may be reproduced without written permission.


This manual should be considered a permanent part of the engine and should remain with the engine if resold.

We suggest you read the warranty policy to fully understand its coverage and your responsibilities of ownership.

Review the instructions provided with the equipment powered by this engine for any additional information regarding engine startup, shutdown, operation, adjustments or any special maintenance instructions.

## SAFETY MESSAGES

Your safety and the safety of others are very important. We have provided important safety messages in this manual and on the engine. Please read these messages carefully.

A safety message alerts you to potential hazards that could hurt you or others. Each safety message is preceded by a safety alert symbol  and one of three words, DANGER, WARNING, or CAUTION.

These signal words mean:

### DANGER

You WILL be KILLED or SERIOUSLY HURT if you don't follow instructions.

### WARNING

You CAN be KILLED or SERIOUSLY HURT if you don't follow instructions.

### CAUTION

You CAN be HURT if you don't follow instructions.

Each message tells you what the hazard is, what can happen, and what you can do to avoid or reduce injury.

## DAMAGE PREVENTION MESSAGES

You will also see other important messages that are preceded by the word NOTICE.

This word means:

### NOTICE

Your engine or other property can be damaged if you don't follow instructions.

The purpose of these messages is to help prevent damage to your engine, other property, or the environment.

©2018 Honda Motor Co., Ltd. - All Rights Reserved

3RZ1C800  
00X3R-Z1C-8000

GX200T2 • GX390T2

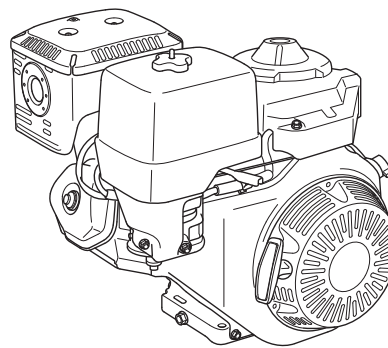
ENGLISH

# HONDA

## OWNER'S MANUAL MANUEL DE L'UTILISATEUR BEDIENUNGSANLEITUNG MANUAL DEL PROPIETARIO INSTRUKTIEHANDLEIDING MANUALE DELL'UTENTE

GX200 • GX390

LPG-Fueled Engine



The illustrations herein are mainly based on: PTO shaft type Q.  
• The illustration may vary according to the type.

## CONTENTS

INTRODUCTION.....	1	AIR CLEANER.....	8
SAFETY MESSAGES.....	1	Inspection.....	8
SAFETY INFORMATION.....	2	Cleaning.....	8
SAFETY LABEL LOCATION... 2		SPARK PLUG.....	9
COMPONENT & CONTROL		IDLE SPEED.....	9
LOCATIONS.....	2	HELPFUL TIPS &	
FEATURES.....	2	SUGGESTIONS.....	10
SETTING.....	3	STORING YOUR ENGINE... 10	
BEFORE OPERATION		TRANSPORTING.....	10
CHECKS.....	3	TAKING CARE OF	
OPERATION.....	4	UNEXPECTED PROBLEMS... 10	
SAFE OPERATING		TECHNICAL INFORMATION... 11	
PRECAUTIONS.....	4	Serial Number Location... 11	
STARTING THE ENGINE... 4		Remote Control Linkage... 11	
STOPPING THE ENGINE... 5		High Altitude Operation... 11	
SETTING ENGINE SPEED... 5		Specifications.....	11
SERVICING YOUR ENGINE... 6		Tuneup Specifications... 11	
THE IMPORTANCE OF		Wiring Diagrams.....	12
MAINTENANCE.....	6	CONSUMER INFORMATION... 12	
MAINTENANCE SAFETY... 6		DISTRIBUTOR/DEALER	
SAFETY PRECAUTIONS... 6		LOCATOR INFORMATION... 12	
MAINTENANCE		CUSTOMER SERVICE	
SCHEDULE.....	6	INFORMATION.....	12
REFUELING.....	6		
ENGINE OIL.....	7		
Recommended Oil.....	7		
Oil Level Check.....	7		
Oil Change.....	7		

ENGLISH

FRANÇAIS

DEUTSCH

ESPAÑOL

NEDERLANDS

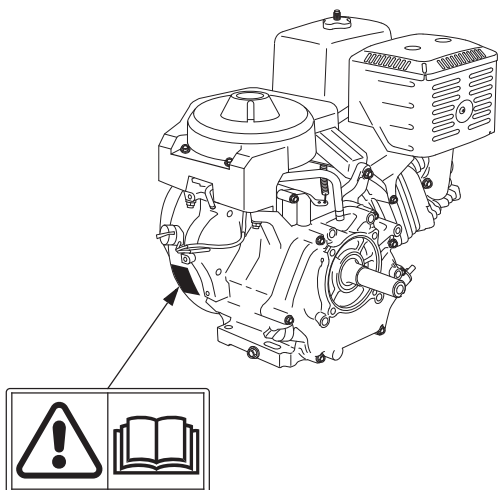
ITALIANO

## SAFETY INFORMATION

- Understand the operation of all controls and learn how to stop the engine quickly in case of emergency. Make sure the operator receives adequate instruction before operating the equipment.
- Do not allow children to operate the engine. Keep children and pets away from the area of operation.
- Your engine's exhaust contains poisonous carbon monoxide. Do not run the engine without adequate ventilation, and never run the engine indoors.
- The engine and exhaust become very hot during operation. Keep the engine at least 1 meter away from buildings and other equipment during operation. Keep flammable materials away, and do not place anything on the engine while it is running.
- LPG is extremely flammable and combustible. Refuel outdoors, in a well-ventilated area, with the engine stopped. Never smoke near LPG and keep other flames and sparks away.

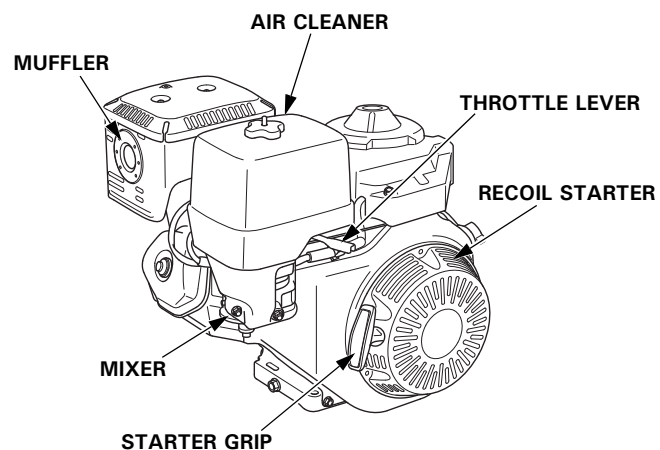
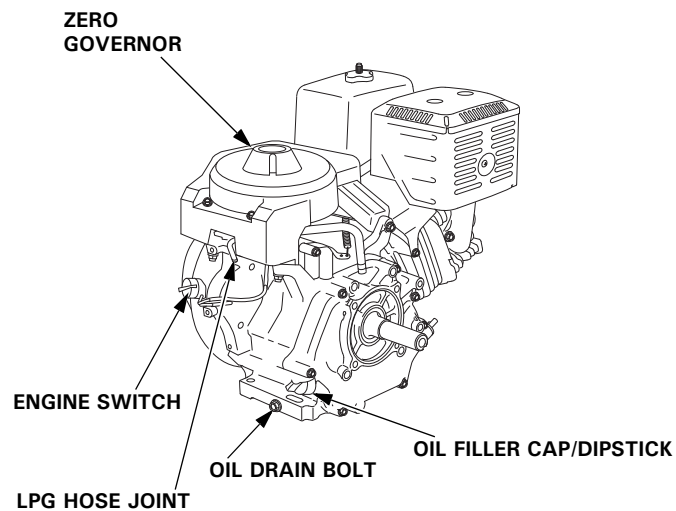
## SAFETY LABEL LOCATION

This label warns you of potential hazards that can cause serious injury. Read it carefully. If the label comes off or becomes hard to read, contact your Honda servicing dealer for replacement.



Read Owner's Manual before operation.

## COMPONENT & CONTROL LOCATIONS



## FEATURES

### OIL ALERT SYSTEM (applicable types)

The Oil Alert system is designed to prevent engine damage caused by an insufficient amount of oil in the crankcase. Before the oil level in the crankcase can fall below a safe limit, the Oil Alert system will automatically stop the engine (the engine switch will remain in the ON position).

If the engine stops and will not restart, check the engine oil level (see page 7) before troubleshooting in other areas.

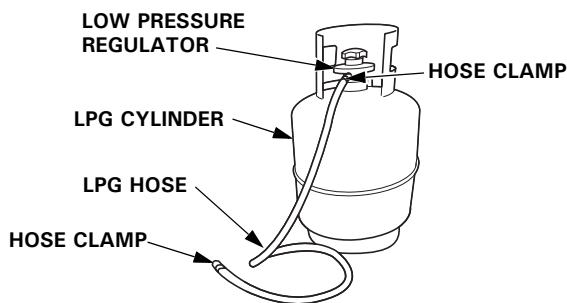
## SETTING

### Fuel System

This engine uses LPG.

You must prepare an LPG cylinder, low pressure regulator, LPG hose, and two hose clamps because these are not included with this engine. Be sure to use parts that are for LPG use.

Also, these are not covered under Honda warranty, so you must perform engine connections and maintenance.

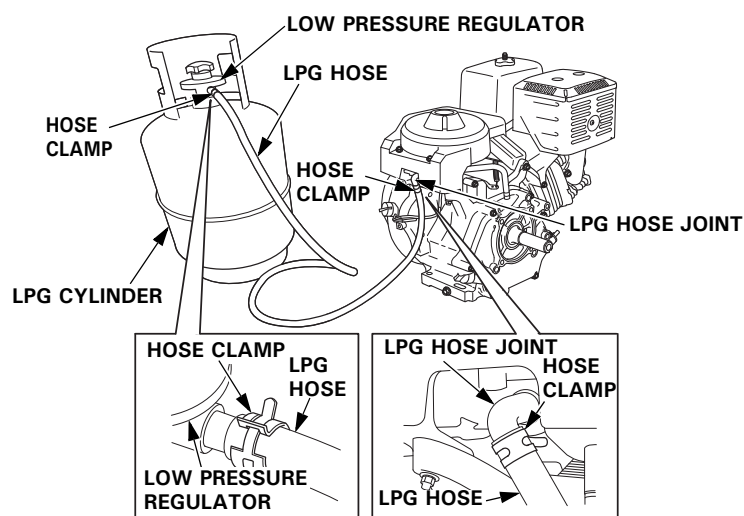


- Use an LPG-compliant LPG hose with an inner diameter of 10 mm.
- Use a LPG hose with a length of 5 m or shorter between the low pressure regulator and engine.
- When handling the LPG hose, keep it away from hot parts and edges.
- Use a low pressure regulator that satisfies the following standard and performance specifications.

Standard	Based on EN 16129
Gas flow rate	1.2 kg/h or higher (GX200) 3.4 kg/h or higher (GX390)
Excess flow valve*	none

\* The excess flow valve may be described as a "safety system" in the Regulator catalog, etc.

- Use an LPG hose and hose clamps that are suited for LPG purposes.
- Attach the LPG hose to the low pressure regulator of the LPG cylinder and the LPG hose joint on the engine.
- When attaching the LPG hose, be sure to use clips to fasten the LPG hose.



- Keep the engine and LPG cylinder as far apart as possible.
- Use the LPG cylinder while it is standing upright.
- After connecting the engine and LPG cylinder with the LPG hose, apply soapy water and check that there are no gas leaks.

## BEFORE OPERATION CHECKS

### IS YOUR ENGINE READY TO GO?

For your safety, and to maximize the service life of your equipment, it is very important to take a few moments before you operate the engine to check its condition. Be sure to take care of any problem you find, or have your servicing dealer correct it, before you operate the engine.

### ⚠ WARNING

Failure to properly maintain this engine, or failing to correct a problem before operation, could result in a significant malfunction.

Some malfunctions can cause serious injuries or death.

Always perform a pre-operation inspection before each operation and correct any problems.

Before beginning your pre-operation checks, be sure the engine is level and the engine switch is in the OFF position.

Always check the following items before you start the engine:

### Fuel Gas Connection

You must connect the LPG hose to this engine.

### Fuel Gas Leak and LPG Hose Damage Check

Coat the LPG hose joint with soapsuds and check that there is no fuel gas leaks.

Check that the LPG hose is not damaged.

If the LPG hose is damaged or there is a gas leak, discontinue use.

Take measures to fix the connection or replace the parts, and check that there are no gas leaks before starting the engine.

### Check the General Condition of the Engine

Before each use, look around and underneath the engine for signs of oil leaks.

1. Remove any excessive dirt or debris, especially around the muffler and recoil starter.
2. Look for signs of damage.
3. Check that all shields and covers are in place, and all nuts, bolts, and screws are tightened.

### Check the Engine

Before each use, look around and underneath the engine for signs of oil leaks.

1. Check the engine oil level (see page 7). Running the engine with a low oil level can cause engine damage.

The Oil Alert system (applicable types) will automatically stop the engine before the oil level falls below safe limits. However, to avoid the inconvenience of an unexpected shutdown, always check the engine oil level before startup.

2. Check the air filter element (see page 8). A dirty air filter element will restrict air flow to the mixer, reducing engine performance.
3. Check the equipment powered by this engine.

Review the instructions provided with the equipment powered by this engine for any precautions and procedures that should be followed before engine startup.

## OPERATION

### SAFE OPERATING PRECAUTIONS

Before operating the engine for the first time, please review the *SAFETY INFORMATION* section on page 2 and the *BEFORE OPERATION CHECKS* on page 3.

For your safety, do not operate the engine in an enclosed area such as a garage. Your engine's exhaust contains poisonous carbon monoxide gas that can collect rapidly in an enclosed area and cause illness or death.

### **⚠ WARNING**

Exhaust contains poisonous carbon monoxide gas that can build up to dangerous levels in closed areas.

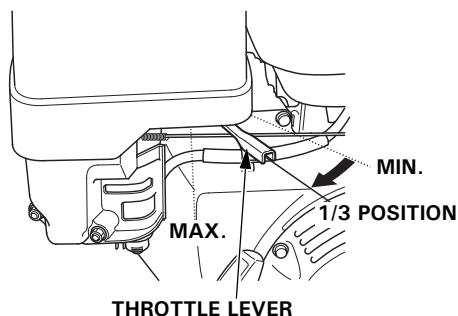
Breathing carbon monoxide can cause unconsciousness or death.

Never run the engine in a closed, or even partly closed area.

Review the instructions provided with the equipment powered by this engine for any safety precautions that should be observed with engine startup, shutdown or operation.

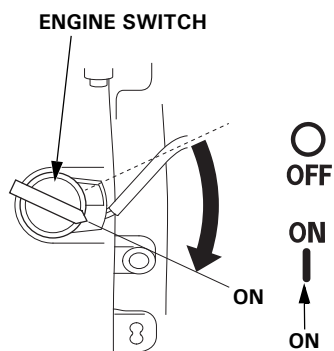
### STARTING THE ENGINE

1. Start supplying gas.
2. Move the throttle lever away from the MIN. position, about 1/3 of the way toward the MAX. position.



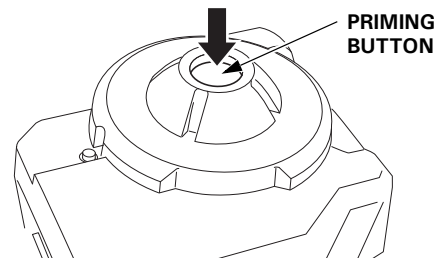
Some engine applications use a remote-mounted throttle control rather than the engine-mounted throttle lever shown here. Refer to the instructions provided by the equipment manufacturer.

3. Turn the engine switch to the ON position.



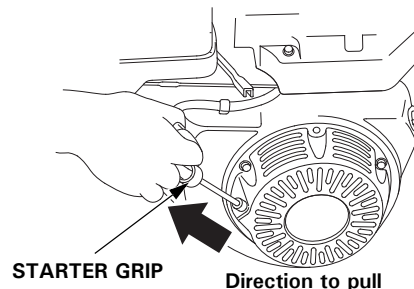
4. If you are starting for the first time after attaching the LPG hose, or if two days or more have passed since you last used the engine, press the priming button once (for about one second).

If you pressed the priming button for too long, you can start by performing the recoil operation several times.



5. Operate the starter.

Pull the starter grip lightly until you feel resistance, then pull briskly in the direction of the arrow as shown below. Return the starter grip gently.



### **NOTICE**

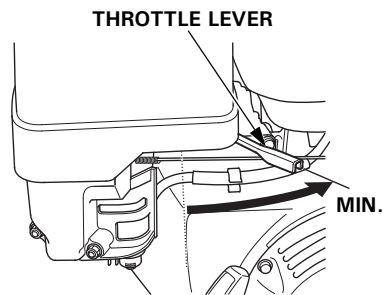
Do not allow the starter grip to snap back against the engine. Return it gently to prevent damage to the starter.

### STOPPING THE ENGINE

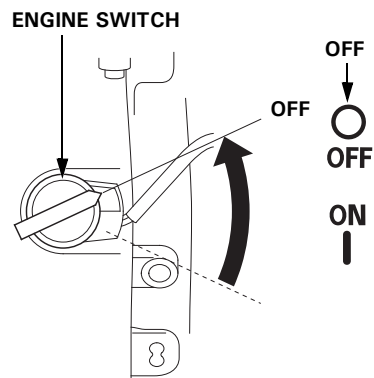
To stop the engine in an emergency, simply turn the engine switch to the OFF position. Under normal conditions, use the following procedure. Refer to the instructions provided by the equipment manufacturer.

1. Move the throttle lever to the MIN. position.

Some engine applications use a remote-mounted throttle control rather than the engine-mounted throttle lever shown here.



2. Turn the engine switch to the OFF position.



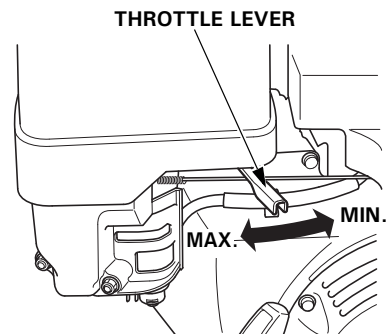
3. Stop supplying gas.

### SETTING ENGINE SPEED

Position the throttle lever for the desired engine speed.

Some engine applications use a remote-mounted throttle control rather than the engine-mounted throttle lever shown here. Refer to the instructions provided by the equipment manufacturer.

For engine speed recommendations, refer to the instructions provided with the equipment powered by this engine.



## SERVICING YOUR ENGINE

### THE IMPORTANCE OF MAINTENANCE

Good maintenance is essential for safe, economical, and trouble-free operation. It will also help reduce pollution.

#### **⚠ WARNING**

Failure to properly maintain this engine, or failing to correct a problem before operation, could result in a significant malfunction.

Some malfunctions can cause serious injuries or death.

Always follow the inspection and maintenance recommendations and schedules in this owner's manual.

To help you properly care for your engine, the following pages include a maintenance schedule, routine inspection procedures, and simple maintenance procedures using basic hand tools. Other service tasks that are more difficult, or require special tools, are best handled by professionals and are normally performed by a Honda technician or other qualified mechanic.

The maintenance schedule applies to normal operating conditions. If you operate your engine under severe conditions, such as sustained high-load or high-temperature operation, or use in unusually wet or dusty conditions, consult your servicing dealer for recommendations applicable to your individual needs and use. **Use only Honda Genuine parts or their equivalent. The use of replacement parts which are not of equivalent quality may damage the engine.**

### MAINTENANCE SAFETY

Some of the most important safety precautions follow. However, we cannot warn you of every conceivable hazard that can arise in performing maintenance. Only you can decide whether or not you should perform a given task.

#### **⚠ WARNING**

Improper maintenance can cause an unsafe condition.

Failure to properly follow maintenance instructions and precautions can cause serious injuries or death.

Always follow the procedures and precautions in this owner's manual.

### SAFETY PRECAUTIONS

- Make sure the engine is off before you begin any maintenance or repairs. To prevent unintentional startup, disconnect the spark plug cap. This will eliminate several potential hazards:
  - **Carbon monoxide poisoning from engine exhaust.** Operate outside away from open windows or doors.
  - **Burns from hot parts.** Let the engine and exhaust system cool before touching.
  - **Injury from moving parts.** Do not run the engine unless instructed to do so.
- Read the instructions before you begin, and make sure you have the tools and skills required.
- To reduce the possibility of fire or explosion, be careful when working around LPG. Use only a non-flammable solvent, not gasoline, to clean parts. Keep cigarettes, sparks and flames away from all fuel related parts.

Remember that an authorized Honda servicing dealer knows your engine best and is fully equipped to maintain and repair it. To ensure the best quality and reliability, use only new Honda Genuine parts or their equivalents for repair and replacement.

## MAINTENANCE SCHEDULE

REGULAR SERVICE PERIOD (1) Perform at every indicated month or operating hour interval, whichever comes first.		Each Use	First Month or 20 Hrs	Every 3 Months or 50 Hrs	Every 6 Months or 100 Hrs	Every Year or 300 Hrs	Refer to Page
Engine oil	Check level	o					7
	Change		o		o		
Air cleaner	Check	o					8
	Clean			o (2)			
	Replace					o	
Spark plug	Check-adjust				o		9
	Replace					o	
Idle speed	Check-adjust					o (3)	9
Valve clearance	Check-adjust					o (3)	Shop manual
Combustion chamber	Clean	After every 500 Hrs. (3)					Shop manual
Zero governor	Check-Clean	Every 2 years or 300 Hrs (Parts replacement if necessary)(3)(4)					Shop manual
Fuel tube Shutoff tube Purge tube	Check	Every 2 years (Replace if necessary) (3)(4)					Shop manual

- (1) For commercial use, log hours of operation to determine proper maintenance intervals.
- (2) Service more frequently when used in dusty areas.
- (3) These items should be serviced by your servicing dealer, unless you have the proper tools and are mechanically proficient. Refer to the Honda shop manual for service procedures.
- (4) Check that there is no crack and damage, and replace if it is abnormal.

Failure to follow this maintenance schedule could result in non-warrantable failures.

### REFUELING

#### Recommended Fuel

Propane	Butane
30%	70%
40%	60%
50%	50%
60%	40%
70%	30%

This engine is certified to operate on LPG only.

The engine may not be able to start at 0°C (32°F) or lower depending on the composition and remaining amount of gas in the LPG cylinder.

Occasionally you may hear a light "spark knock" or "pinging" (metallic rapping noise) while operating under heavy loads. This is no cause for concern.

If spark knock or pinging occurs at a steady engine speed, under normal load, see an authorized Honda servicing dealer.

#### NOTICE

*Running the engine with persistent spark knock or pinging can cause engine damage.*

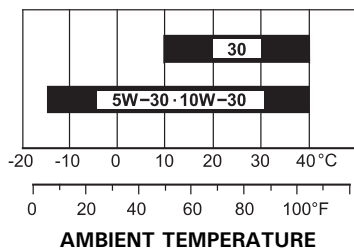
*Running the engine with persistent spark knock or pinging is considered misuse, and the Distributor's Limited Warranty does not cover parts damaged by misuse.*

## ENGINE OIL

Oil is a major factor affecting performance and service life. Use 4-stroke automotive detergent oil that is designed for engines operating on LPG.

### Recommended Oil

Use 4-stroke motor oil that meets or exceeds the requirements for API service category SE or later (or equivalent). Always check the API service label on the oil container to be sure it includes the letters SE or later (or equivalent).

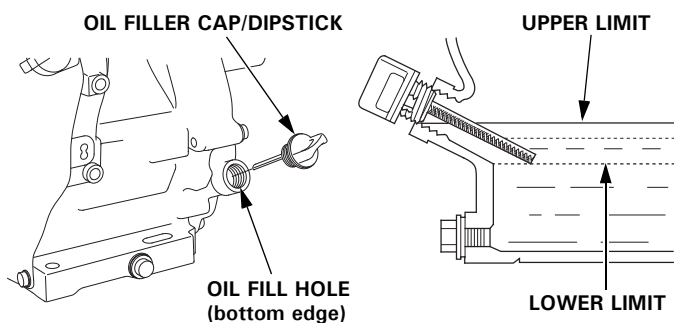


SAE 10W-30 is recommended for general use. Other viscosities shown in the chart may be used when the average temperature in your area is within the indicated range.

### Oil Level Check

Check the engine oil level with the engine stopped and in a level position.

1. Remove the oil filler cap/dipstick and wipe it clean.
2. Insert the oil filler cap/dipstick into the oil filler neck as shown, but do not screw it in, then remove it to check the oil level.
3. If the oil level is near or below the lower limit mark on the dipstick, fill with the recommended oil to the upper limit mark (bottom edge of the oil fill hole). Do not overfill.
4. Reinstall the oil filler cap/dipstick.



### NOTICE

*Running the engine with a low oil level can cause engine damage. This type of damage is not covered under the Warranty.*

The Oil Alert system (applicable types) will automatically stop the engine before the oil level falls below the safe limit. However, to avoid the inconvenience of an unexpected shutdown, always check the engine oil level before startup.

## Oil Change

Drain the used oil when the engine is warm. Warm oil drains quickly and completely.

1. Place a suitable container below the engine to catch the used oil, then remove the oil filler cap/dipstick, oil drain bolt and washer.
2. Allow the used oil to drain completely, then reinstall the oil drain bolt and a new washer, and tighten the oil drain bolt securely.

Please dispose of used motor oil in a manner that is compatible with the environment. We suggest you take used oil in a sealed container to your local recycling center or service station for reclamation. Do not throw it in the trash, pour it on the ground, or pour it down a drain.

3. With the engine in a level position, fill with the recommended oil to the upper limit mark (bottom edge of the oil fill hole) on the dipstick.

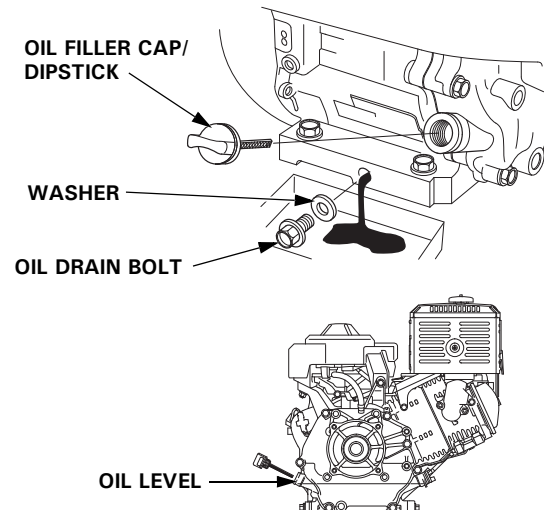
Engine oil capacity: GX200 : 0.60 L (0.53 Imp qt)  
GX390 : 1.1 L (1.0 Imp qt)

### NOTICE

*Running the engine with a low oil level can cause engine damage. This type of damage is not covered by the Distributor's Limited Warranty.*

The Oil Alert system (applicable types) will automatically stop the engine before the oil level falls below the safe limit. However, to avoid the inconvenience of an unexpected shutdown, fill to the upper limit, and check the oil level regularly.

4. Reinstall the oil filler cap/dipstick and tighten securely.



Wash your hands with soap and water after handling used oil.

### NOTICE

*Please dispose of used motor oil in a manner that is compatible with the environment. We suggest you take it in a sealed container to your local service station for reclamation. Do not throw it in the trash, pour it on the ground, or pour it down a drain.*

## AIR CLEANER

A dirty air cleaner will restrict air flow to the mixer, reducing engine performance. If you operate the engine in very dusty areas, clean the air filter more often than specified in the MAINTENANCE SCHEDULE (see page 6).

### NOTICE

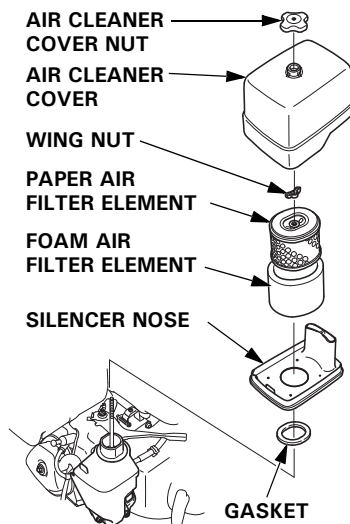
*Operating the engine without an air filter, or with a damaged air filter, will allow dirt to enter the engine, causing rapid engine wear. This type of damage is not covered by the Distributor's Limited Warranty.*

### Inspection

Remove the air cleaner cover and inspect the filter elements. Clean or replace dirty filter elements. Always replace damaged filter elements.

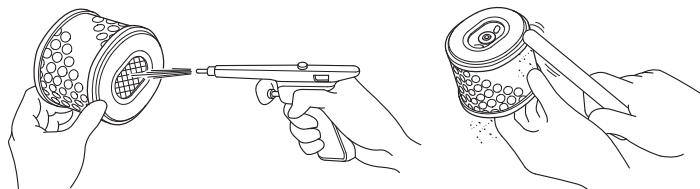
### Cleaning

1. Remove the air cleaner cover nut from the air cleaner cover, and remove the cover.
2. Remove the wing nut from the air filter, and remove the filter.
3. Remove the foam air filter element from the paper air filter element.
4. Inspect both air filter elements, and replace them if they are damaged. Always replace the paper air filter element at the scheduled interval (see page 6).

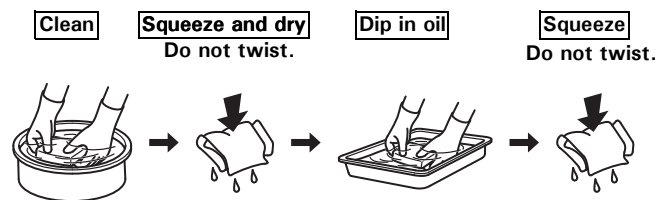


5. Clean the air filter elements if they are to be reused.

Paper air filter element: Tap the filter element several times on a hard surface to remove dirt, or blow compressed air [not exceeding 207 kPa (2.1 kgf/cm<sup>2</sup>)] through the filter element from the inside. Never try to brush off dirt; brushing will force dirt into the fibers.



Foam air filter element: Clean in warm soapy water, rinse, and allow to dry thoroughly. Or clean in non-flammable solvent and allow to dry. Dip the filter element in clean engine oil, then squeeze out all excess oil. The engine will smoke when started if too much oil is left in the foam.



6. Wipe dirt from the inside of the air cleaner case and cover using a moist rag. Be careful to prevent dirt from entering the air duct that leads to the mixer.
7. Place the foam air filter element over the paper air filter element, and reinstall the assembled air filter. Be sure the gasket is in place beneath the air filter. Tighten the wing nut securely.
8. Install the air cleaner cover, and tighten the air cleaner cover nut securely.



## SPARK PLUG

**Recommended Spark Plugs:** GX200:BPR6ES-5 (NGK)  
GX390:BP6ES (NGK)

The recommended spark plug has the correct heat range for normal engine operating temperatures.

### NOTICE

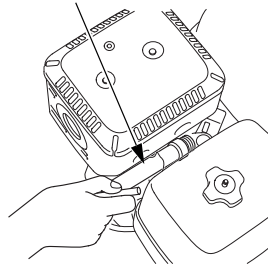
*An incorrect spark plug can cause engine damage.*

If the engine has been running, let it cool before servicing the spark plug.

For good performance, the spark plug must be properly gapped and free of deposits.

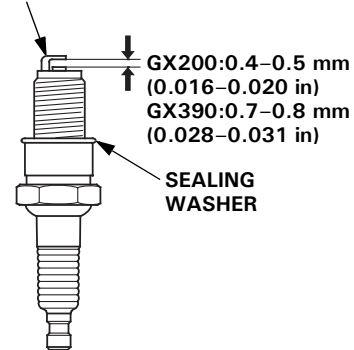
1. Disconnect the spark plug cap, and remove any dirt from around the spark plug area.
2. Remove the spark plug with a spark plug wrench.
3. Inspect the spark plug. Replace it if damaged or badly fouled, if the sealing washer is in poor condition, or if the electrode is worn.

SPARK PLUG WRENCH



4. Measure the spark plug electrode gap with a wire-type feeler gauge. Correct the gap, if necessary, by carefully bending the side electrode. The gap should be:  
GX200:0.4–0.5 mm  
(0.016–0.020 in)  
GX390:0.7–0.8 mm  
(0.028–0.031 in)

SIDE ELECTRODE



5. Install the spark plug carefully, by hand, to avoid cross-threading.
6. After the spark plug is seated, tighten with a spark plug wrench to compress the sealing washer.

When installing a new spark plug, tighten 1/2 turn after the spark plug seats to compress the washer.

When reinstalling the original spark plug, tighten 1/8–1/4 turn after the spark plug seats to compress the washer.

**TORQUE:** 18 N·m (1.8 kgf·m, 13 lbf·ft)

### NOTICE

*A loose spark plug can overheat and damage the engine. Overtightening the spark plug can damage the threads in the cylinder head.*

7. Attach the spark plug cap to the spark plug.

## IDLE SPEED

### Adjustment

1. Start the engine outdoors, and allow it to warm up to operating temperature.
2. Move the throttle lever to its minimum position.
3. Turn the throttle stop screw to obtain the standard idle speed.



THROTTLE STOP SCREW

Standard idle speed: GX200 : 1,400 + 200 min<sup>-1</sup>(rpm)  
- 150 min<sup>-1</sup>(rpm)  
GX390 : 1,400 ± 150 min<sup>-1</sup>(rpm)

## HELPFUL TIPS & SUGGESTIONS

### STORING YOUR ENGINE

#### Storage Preparation

Stop the engine and close the LPG supply valve. For Indonesia models, release the low pressure regulator before removing the hose.

Proper storage preparation is essential for keeping your engine trouble-free and looking good. The following steps will help to keep rust and corrosion from impairing your engine's function and appearance, and will make the engine easier to start when you use it again.

#### Cleaning

If the engine has been running, allow it to cool for at least half an hour before cleaning. Clean all exterior surfaces, touch up any damaged paint, and coat other areas that may rust with a light film of oil.

#### NOTICE

*Using a garden hose or pressure washing equipment can force water into the air cleaner or muffler opening. Water in the air cleaner will soak the air filter, and water that passes through the air filter or muffler can enter the cylinder, causing damage.*

#### Engine Oil

1. Change the engine oil (see page 7).

#### Engine Cylinder

1. Remove the spark plug.
2. Pour a teaspoon 5–10 cm<sup>3</sup> of clean engine oil into the cylinder.
3. Pull the starter grip several times to distribute the oil in the cylinder.
4. Reinstall the spark plug.
5. Pull the starter grip slowly until resistance is felt. This will close the valves so moisture cannot enter the engine cylinder. Return the starter grip gently.
6. Cover the engine to keep out dust.

#### Storage Precautions

Select a well ventilated storage area away from any appliance that operates with a flame, such as a furnace, water heater, or clothes dryer. Also avoid any area with a spark-producing electric motor, or where power tools are operated.

If possible, avoid storage areas with high humidity, because that promotes rust and corrosion.

Keep the engine level in storage. Tilting can cause oil leakage.

With the engine and exhaust system cool, cover the engine to keep out dust. A hot engine and exhaust system can ignite or melt some materials. Do not use a plastic sheet as a dust cover.

A nonporous cover will trap moisture around the engine, promoting rust and corrosion.

#### Removal from Storage

Check your engine as described in the *BEFORE OPERATION CHECKS* section of this manual (see page 3).

If the cylinder was coated with oil during storage preparation, the engine will smoke briefly at startup. This is normal.

### TRANSPORTING

If the engine has been running, allow it to cool for at least 15 minutes before loading the engine-powered equipment on the transport vehicle. A hot engine and exhaust system can burn you and can ignite some materials.

Before you transport the engine, the LPG hose must be disconnected.

You must disconnect the LPG hose.

## TAKING CARE OF UNEXPECTED PROBLEMS

### ENGINE WILL NOT START

Possible Cause	Correction
Engine switch OFF.	Turn engine switch to ON position.
Out of fuel.	Refuel (p. 6).
Engine oil level low (Oil Alert models).	Fill with the recommended oil to the proper level (p. 7).
Spark plug faulty, fouled, or improperly gapped.	Gap or replace spark plug (p. 9).
Mixer malfunction, ignition malfunction, valves stuck, etc.	Take engine to your servicing dealer, or refer to shop manual.

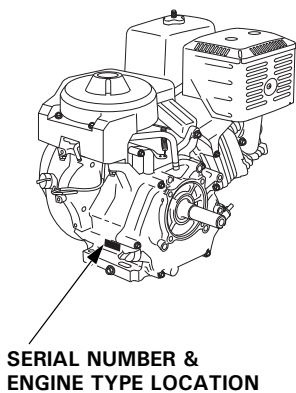
### ENGINE LACKS POWER

Possible Cause	Correction
Filter element (s) restricted.	Clean or replace filter element (s) (p. 8).
Fuel quality or pressure is poor.	Use a reliable LPG source.
Mixer malfunction, ignition malfunction, valves stuck, etc.	Take engine to your servicing dealer, or refer to shop manual.

## TECHNICAL INFORMATION

### Serial Number Location

Record the engine serial number in the space below. You will need this information when ordering parts and when making technical or warranty inquiries.



Engine serial number: \_\_\_\_\_

Engine type: \_\_\_\_\_

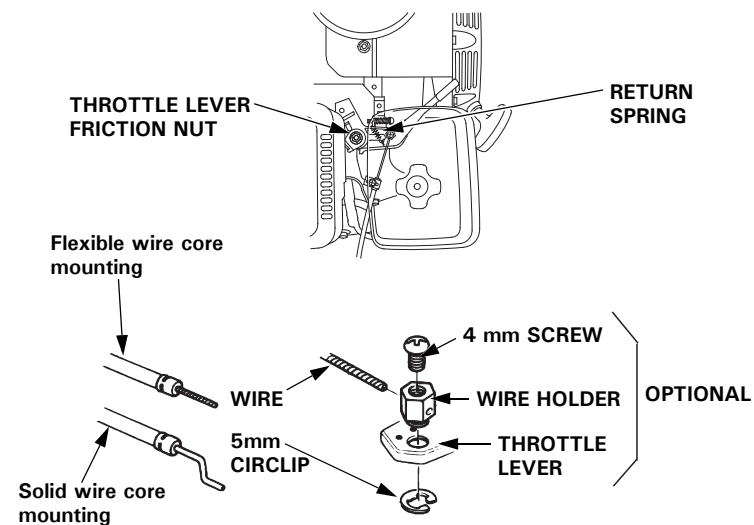
Date Purchased: \_\_\_\_ / \_\_\_\_ / \_\_\_\_

### Remote Control Linkage

The throttle lever is provided with hole for optional cable attachment. The following illustrations show installation example for a solid wire cable and for a flexible, braided wire cable. If using a flexible, braided wire cable, add a return spring as shown.

It is necessary to loosen the throttle lever friction nut when operating the throttle with a remote-mounted control.

#### REMOTE THROTTLE LINKAGE



### High Altitude Operation

The LPG fueled engine does not require any modifications for high-altitude operation. However, performance and horse power will decrease at high altitudes.

### Specifications

#### GX200 (PTO shaft type Q)

Length × Width × Height	321 × 376 × 335 mm (12.6 × 14.8 × 13.2 in)
Dry mass [weight]	16.0 kg (35.3 lbs)
Engine type	4-stroke, overhead valve, single cylinder
Displacement [Bore × Stroke]	196 cm <sup>3</sup> (12.0 cu-in) [68.0 × 54.0 mm (2.7 × 2.1 in)]
Net power (in accordance with SAE J1349*)	4.1 kW (5.6 PS)/3,600 min <sup>-1</sup> (rpm)
Max. Net torque (in accordance with SAE J1349*)	12.4 N·m (1.26 kgf·m, 9.1 lbf·ft)/ 2,500 min <sup>-1</sup> (rpm)
Engine oil capacity	0.60 L (0.53 Imp qt)
Cooling system	Forced air
Ignition system	Transistor magneto
PTO shaft rotation	Counterclockwise

#### GX390 (PTO shaft type Q)

Length × Width × Height	406 × 460 × 448 mm (16.0 × 18.1 × 17.6 in)
Dry mass [weight]	30.7 kg (67.7 lbs)
Engine type	4-stroke, overhead valve, single cylinder
Displacement [Bore × Stroke]	389 cm <sup>3</sup> (23.7 cu-in) [88.0 × 64.0 mm (3.5 × 2.5 in)]
Net power (in accordance with SAE J1349*)	7.9 kW (10.7 PS)/3,600 min <sup>-1</sup> (rpm)
Max. Net torque (in accordance with SAE J1349*)	24.0 N·m (2.45 kgf·m, 17.7 lbf·ft)/ 2,500 min <sup>-1</sup> (rpm)
Engine oil capacity	1.1 L (1.0 Imp qt)
Cooling system	Forced air
Ignition system	CDI magneto
PTO shaft rotation	Counterclockwise

\* The power rating of the engine indicated in this document is the net power output tested on a production engine for the engine model and measured in accordance with SAE J1349 at 3,600 min<sup>-1</sup>(rpm) (Net Power) and at 2,500 min<sup>-1</sup>(rpm) (Max. Net Torque). Mass production engines may vary from this value. Actual power output for the engine installed in the final machine will vary depending on numerous factors, including the operating speed of the engine in application, environmental conditions, maintenance, and other variables.

### Tuneup Specifications

#### GX200

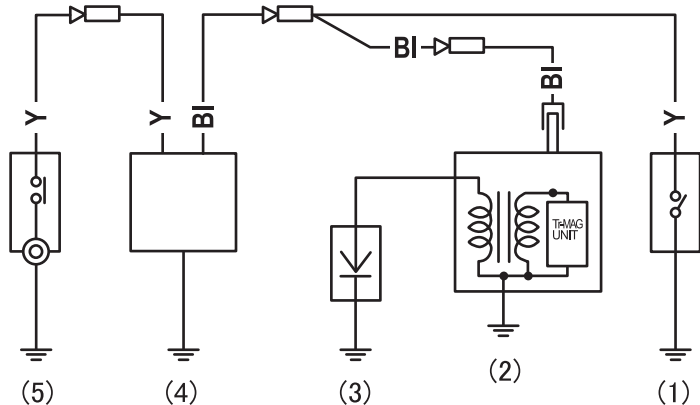
ITEM	SPECIFICATION	MAINTENANCE
Spark plug gap	0.4–0.5 mm (0.016–0.020 in)	Refer to page: 9
Idle speed	1,400 + 200 min <sup>-1</sup> (rpm) – 150 min <sup>-1</sup> (rpm)	
Valve clearance (cold)	IN: 0.15 ± 0.02 mm EX: 0.20 ± 0.02 mm	See your authorized Honda dealer
Other specifications	No other adjustments needed.	

#### GX390

ITEM	SPECIFICATION	MAINTENANCE
Spark plug gap	0.7–0.8 mm (0.028–0.031 in)	Refer to page: 9
Idle speed	1,400 ± 150 min <sup>-1</sup> (rpm)	
Valve clearance (cold)	IN: 0.15 ± 0.02 mm EX: 0.20 ± 0.02 mm	See your authorized Honda dealer
Other specifications	No other adjustments needed.	

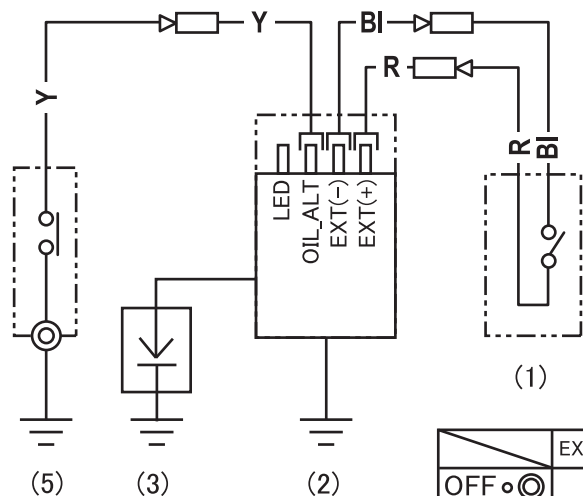
**Wiring Diagrams**

**GX200**



	IGN	EARTH
OFF ●	○	○
ON ○	□	

**GX390**



	EXT(+)	EXT(-)
OFF ●		
ON ○	○	○

- (1) ENGINE SWITCH
- (2) IGNITION COIL
- (3) SPARK PLUG
- (4) OIL ALERT UNIT
- (5) OIL LEVEL SWITCH

BI	Black
Y	Yellow
R	Red

**CONSUMER INFORMATION**

**DISTRIBUTOR/DEALER LOCATOR INFORMATION**

Visit our website: <http://www.honda-engines-eu.com>

**CUSTOMER SERVICE INFORMATION**

Service dealership personnel are trained professionals. They should be able to answer any question you may have. If you encounter a problem that your dealer does not solve to your satisfaction, please discuss it with the dealership's management. The Service Manager, General Manager, or Owner can help. Almost all problems are solved in this way.

If you are dissatisfied with the decision made by the dealership's management, contact the Honda Office as shown.

**< Honda's Office >**

When you write or call, please provide this information:

- Equipment manufacturer's name and model number that the engine is mounted on
- Engine model, serial number, and type (see page 11)
- Name of dealer who sold the engine to you
- Name, address, and contact person of the dealer who services your engine
- Date of purchase
- Your name, address and telephone number
- A detailed description of the problem

**Honda Motor Europe Logistics NV.**  
European Engine Center

<http://www.honda-engines-eu.com>

Please contact the Honda distributor in your area for assistance.

**HONDA**

## INTRODUCTION

Nous vous remercions d'avoir porté votre choix sur un moteur Honda. Nous désirons vous aider à faire le meilleur usage de votre nouveau moteur et à l'utiliser en sécurité. Vous trouverez dans ce manuel des informations sur la manière d'y parvenir; veuillez le lire attentivement avant d'utiliser le moteur. En cas de problème ou pour toute question concernant votre moteur, veuillez vous adresser à votre concessionnaire réparateur.

Toutes les informations de cette publication sont basées sur les dernières informations sur le produit disponibles au moment de l'impression. Honda Motor Co., Ltd. se réserve le droit de procéder à des modifications à tout moment sans préavis et sans obligation de sa part. Aucune partie de cette publication ne peut être reproduite sans autorisation écrite.


Ce manuel doit être considéré comme faisant partie du moteur et doit l'accompagner en cas de revente.

Nous vous conseillons de lire le bulletin de garantie afin de bien comprendre l'étendue de la garantie et vos responsabilités en tant que propriétaire.

Pour de plus amples informations sur le démarrage, l'arrêt, l'utilisation et les réglages du moteur ou pour des instructions sur tout entretien spécial, consultez les instructions accompagnant l'équipement commandé par ce moteur.

## MESSAGES DE SECURITE

Votre sécurité et celle des autres sont essentielles. Vous trouverez des messages de sécurité importants dans ce manuel et sur le moteur. Veuillez les lire attentivement.

Les messages de sécurité vous avertissent de risques potentiels de blessures pour vous et les autres. Chaque message de sécurité est précédé d'un symbole de mise en garde  et de l'une des trois mentions DANGER, ATTENTION ou PRECAUTION.

Ces mots-indicateurs signifient:

### DANGER

Le non-respect de ces instructions ENTRAÎNERA des BLESSURES GRAVES voire MORTELLES.

### ATTENTION

Le non-respect de ces instructions est SUSCEPTIBLE d'entraîner des BLESSURES GRAVES voire MORTELLES.

### PRECAUTION

Le non-respect de ces instructions est SUSCEPTIBLE d'entraîner des BLESSURES.

Chaque message vous indique quel est le danger, ce qui peut arriver et ce que vous pouvez faire pour éviter ou réduire les blessures.

## MESSAGES DE PREVENTION DES DOMMAGES

D'autres messages importants sont précédés du mot REMARQUE.

Cette mention signifie:

### REMARQUE

Votre moteur ou d'autres biens peuvent être endommagés si vous ne suivez pas ces instructions.

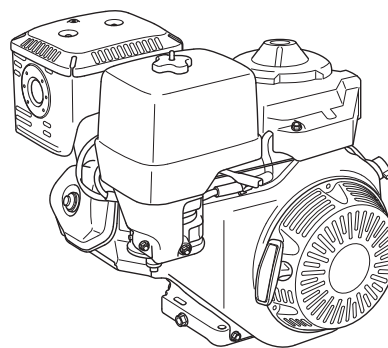
L'objet de ces messages est de vous aider à ne pas causer de dommages au moteur, à d'autres biens ou à l'environnement.

# HONDA

## MANUEL DE L'UTILISATEUR

### GX200 • GX390

### Moteur alimenté au GPL



FRANÇAIS

Les illustrations contenues dans ce document sont principalement basées sur le modèle: avec arbre de prise de force type Q.

• Les illustrations peuvent varier en fonction du type.

## SOMMAIRE

INTRODUCTION .....	1	Renouvellement	7
MESSAGES DE SECURITE ....	1	d'huile .....	7
INFORMATIONS DE		FILTRE A AIR .....	8
SECURITE .....	2	Contrôle.....	8
EMPLACEMENT DE		Nettoyage .....	8
L'ETIQUETTE DE		BOUGIE .....	9
SECURITE .....	2	REGIME DE RALENTI.....	9
EMPLACEMENT DES		CONSEILS ET	
COMPOSANTS ET		SUGGESTIONS UTILES.....	10
COMMANDES.....	2	REMISAGE DU MOTEUR... 10	
PARTICULARITES.....	2	TRANSPORT .....	10
REGLAGE .....	3	EN CAS DE PROBLEME	
CONTROLES AVANT		INATTENDU .....	10
L'UTILISATION .....	3	INFORMATIONS	
UTILISATION .....	4	TECHNIQUES .....	11
CONSIGNES DE SECURITE		Emplacement du numéro de	
D'UTILISATION .....	4	série.....	11
DEMARRAGE DU		Tringlerie de commande à	
MOTEUR .....	4	distance .....	11
ARRET DU MOTEUR .....	5	Utilisation à haute	
REGLAGE DU REGIME		altitude .....	11
MOTEUR .....	5	Spécifications .....	11
ENTRETIEN DU MOTEUR.....	6	Caractéristiques de mise au	
L'IMPORTANT DE		point .....	11
L'ENTRETIEN .....	6	Schémas de câblage.....	12
SECURITE D'ENTRETIEN ...	6	INFORMATION DU	
CONSIGNES DE		CONSOUMATEUR.....	12
SECURITE .....	6	INFORMATIONS SUR LE	
PROGRAMME		LOCALISATEUR DE	
D'ENTRETIEN.....	6	DISTRIBUTEURS/	
REPLISSAGE EN		CONCESSIONNAIRES .....	12
CARBURANT .....	6	INFORMATIONS	
HUILE MOTEUR.....	7	D'ENTRETIEN POUR LE	
Huile recommandée.....	7	CLIENT .....	12
Vérification du niveau			
d'huile.....	7		

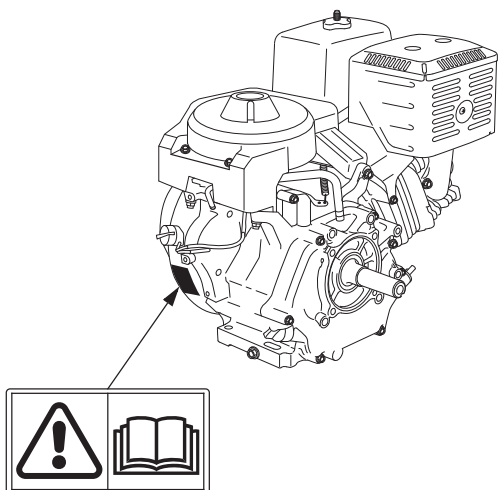
## INFORMATIONS DE SECURITE

- Comprenez bien le fonctionnement de toutes les commandes et apprenez comment arrêter le moteur rapidement en cas d'urgence. Veillez à ce que l'opérateur reçoive des instructions adéquates avant l'utilisation de l'équipement.
- Ne pas autoriser des enfants à utiliser le moteur. Eloigner les enfants et les animaux de la zone d'utilisation.
- Les gaz d'échappement du moteur contiennent du monoxyde de carbone toxique.  
Ne pas faire tourner le moteur sans une aération adéquate et ne jamais l'utiliser à l'intérieur.
- Le moteur et les gaz d'échappement deviennent très chauds pendant le fonctionnement.  
Maintenez une distance d'au moins 1 mètre entre le moteur et les immeubles et tout autre équipement pendant le fonctionnement. Ne pas approcher de matières inflammables et ne rien placer sur le moteur pendant son fonctionnement.
- Le GPL est extrêmement inflammable et combustible. Faire le plein à l'extérieur dans un endroit bien aéré avec le moteur arrêté. Ne jamais fumer à proximité de GPL et ne pas approcher de flammes ou d'étincelles.

## EMPLACEMENT DE L'ETIQUETTE DE SECURITE

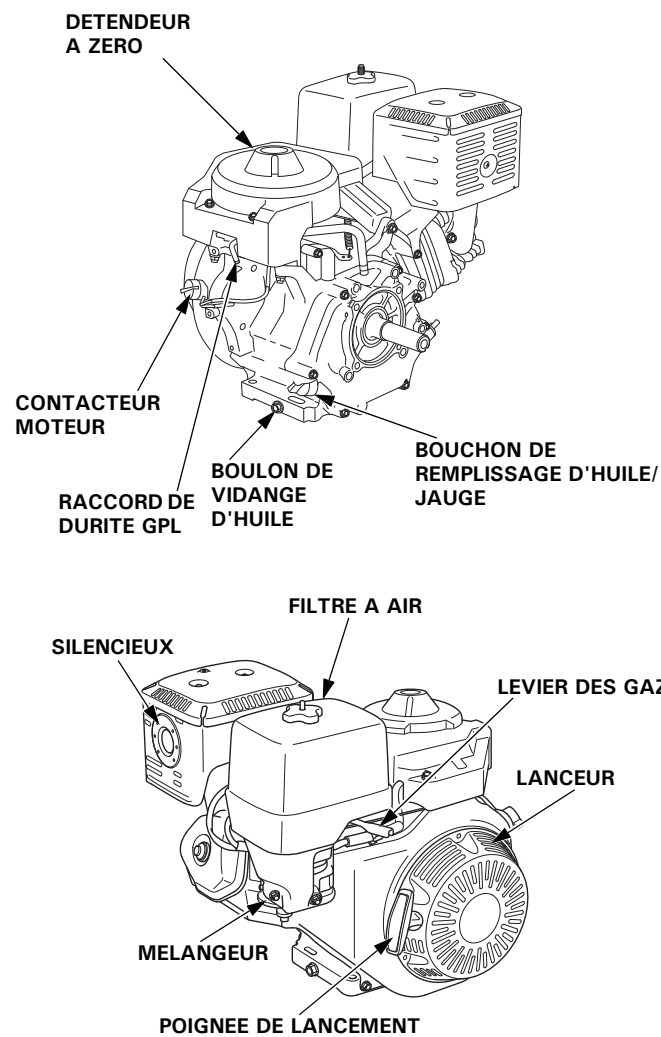
Cette étiquette met en garde contre les risques potentiels de blessures graves. Lire attentivement son contenu.

Si l'étiquette se décolle ou devient illisible, s'adresser au concessionnaire d'entretien Honda pour son remplacement.



Lire le manuel de l'utilisateur avant l'utilisation.

## EMPLACEMENT DES COMPOSANTS ET COMMANDES



## PARTICULARITES

### SYSTEME OIL ALERT (selon type)

Le système Oil Alert protège le moteur contre les dommages dus au manque d'huile dans le carter moteur. Avant que le niveau d'huile dans le carter moteur ne descende sous le seuil de sécurité, le vibreur sonore du système Oil Alert avertit l'utilisateur qu'il est nécessaire de remettre de l'huile.

Si le moteur s'arrête et ne redémarre pas, vérifier le niveau de l'huile moteur (voir page 7) avant de procéder à la recherche d'une autre cause de panne.

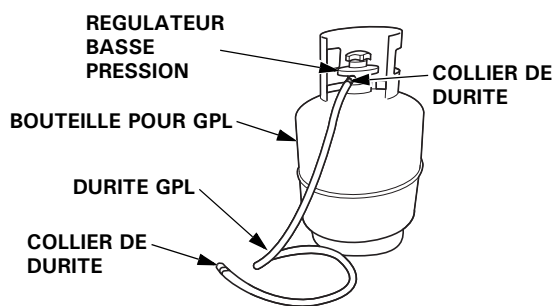
## REGLAGE

### Système d'alimentation en carburant

Ce moteur utilise du GPL.

Une bouteille pour GPL, un régulateur basse pression, une durite GPL et deux colliers de durite doivent être préparés étant donné que ceux-ci ne sont pas fournis avec ce moteur. Veiller à utiliser des pièces conçues pour une utilisation avec du GPL.

Ces pièces ne sont pas couvertes par la garantie Honda, il convient donc de réaliser leurs raccordements au moteur et leur entretien.

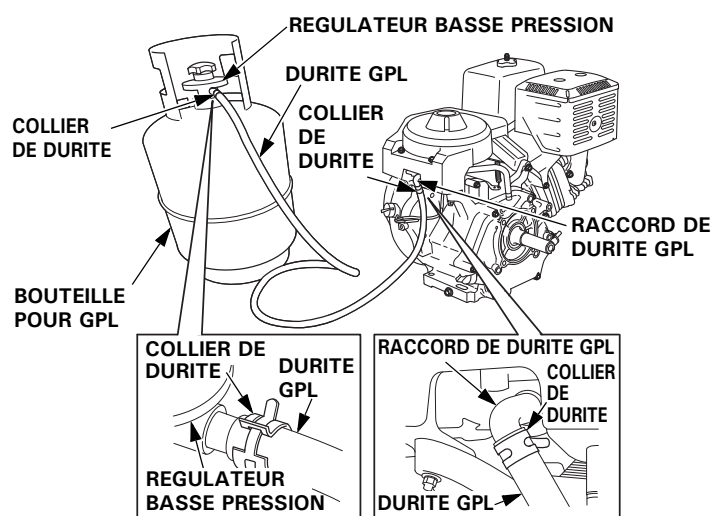


- Utiliser une durite compatible GPL d'un diamètre interne de 10 mm.
- Utiliser une durite GPL d'une longueur maximale de 5 m entre le régulateur basse pression et le moteur.
- Lors de la manipulation de la durite GPL, la tenir éloignée des pièces chaudes et des bords.
- Utiliser un régulateur basse pression conforme à la norme et aux caractéristiques de performances suivantes.

Standard	D'après la norme EN 16129
Débit de gaz	1,2 kg/h ou plus (GX200) 3,4 kg/h ou plus (GX390)
Valve de limitation de débit*	aucune

\* La valve de limitation de débit peut être décrite comme un "système de sécurité" dans le catalogue des régulateurs, etc.

- Utiliser une durite GPL et des colliers de durite conçus pour une utilisation avec du GPL.
- Fixer la durite GPL au régulateur basse pression de la bouteille pour GPL et au raccord de durite GPL sur le moteur.
- Lors de la fixation de la durite GPL, veiller à utiliser des clips pour la fixer.



- Maintenir le moteur et la bouteille pour GPL le plus loin possible l'un de l'autre.
- Utiliser la bouteille pour GPL à la verticale.
- Après avoir raccordé le moteur et la bouteille pour GPL à la durite GPL, appliquer de l'eau savonneuse et vérifier l'absence de fuites de gaz.

## CONTROLES AVANT L'UTILISATION

### LE MOTEUR EST-IL PRET A FONCTIONNER?

Pour la sécurité et la longévité de l'équipement, il est important de consacrer quelques instants à vérifier l'état du moteur avant l'utilisation. Corriger tout problème constaté ou confier cette opération au concessionnaire avant l'utilisation.

#### ATTENTION

Un entretien incorrect de ce moteur ou l'absence de correction d'un problème avant l'utilisation peut entraîner un dysfonctionnement important.

Certains dysfonctionnements peuvent entraîner des blessures graves voire un décès.

Toujours effectuer les contrôles avant l'utilisation avant chaque utilisation et corriger tout problème.

Avant de commencer les contrôles avant l'utilisation, s'assurer que le moteur est à l'horizontale et que le contacteur moteur se trouve sur la position ARRÊT.

Toujours vérifier les points suivants avant de mettre le moteur en marche:

#### Raccordement au gaz

La durite GPL doit être raccordée au moteur.

#### Recherche de fuites de gaz et de dommages à la durite GPL

Appliquer de l'eau savonneuse sur le raccord de la durite GPL et vérifier l'absence de fuites de gaz.

Vérifier que la durite GPL n'est pas endommagée.

Si la durite GPL est endommagée ou si une fuite de gaz est détectée, ne plus utiliser la durite. Prendre des mesures pour réparer le raccord ou remplacer les pièces, et vérifier l'absence de fuites de gaz avant de démarrer le moteur.

#### Vérifier l'état général du moteur

Avant chaque utilisation, s'assurer qu'il n'y a pas de traces de fuites d'huile autour ou sous le moteur.

1. Enlever toute saleté ou débris excessifs, tout particulièrement autour du silencieux et du lanceur.
2. Vérifier qu'il n'y a pas de signes de dommages.
3. S'assurer que tous les protecteurs et couvercles sont en place et que tous les écrous, boulons et vis sont serrés.

#### Vérifier le moteur

Avant chaque utilisation, s'assurer qu'il n'y a pas de traces de fuites d'huile autour ou sous le moteur.

1. Vérifier le niveau d'huile moteur (voir page 7). L'utilisation du moteur avec un niveau d'huile trop bas peut l'endommager.

Le système Oil Alert (selon type) arrête automatiquement le moteur avant que le niveau d'huile ne descende au-dessous du seuil de sécurité. Toutefois, pour éviter l'inconvénient d'un arrêt imprévu, toujours vérifier le niveau d'huile du moteur avant le démarrage.

2. Vérifier l'élément de filtre à air (voir page 8). Un élément de filtre à air sale limite le passage d'air vers le mélangeur, ce qui diminue les performances du moteur.
3. Vérifier l'équipement commandé par ce moteur. Pour les précautions et procédures à observer avant le démarrage du moteur, consulter les instructions accompagnant l'équipement commandé par ce moteur.

## UTILISATION

### CONSIGNES DE SECURITE D'UTILISATION

Avant d'utiliser le moteur pour la première fois, lire la section *INFORMATIONS DE SECURITE* à la page 2 et la section *CONTROLES AVANT L'UTILISATION* à la page 3.

Par sécurité, ne pas faire fonctionner le moteur dans un endroit clos tel qu'un garage. Les gaz d'échappement du moteur contiennent du monoxyde de carbone, un gaz toxique qui peut s'accumuler rapidement dans un endroit clos et provoquer une intoxication ou la mort.

### ⚠ ATTENTION

Les gaz d'échappement contiennent du monoxyde de carbone, un gaz toxique qui peut s'accumuler à des niveaux dangereux dans des endroits clos.

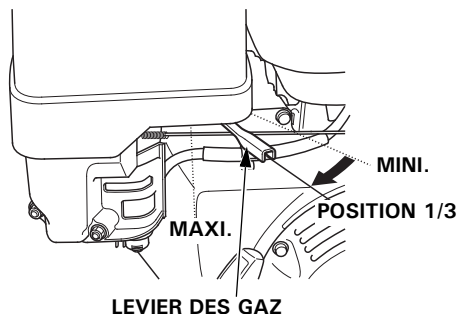
L'inhalation de monoxyde de carbone peut provoquer des évanouissements ou la mort.

Ne jamais faire tourner le moteur dans un endroit clos, même partiellement.

Pour les consignes de sécurité à observer au démarrage, lors de l'arrêt du moteur et pendant l'utilisation, consulter les instructions accompagnant l'équipement commandé par ce moteur.

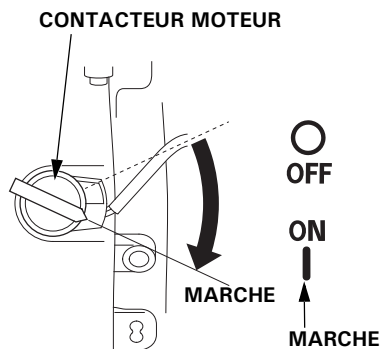
### DEMARRAGE DU MOTEUR

1. Démarrer l'alimentation en gaz.
2. Déplacer le levier des gaz de la position MINI. jusqu'à 1/3 environ vers la position MAXI.



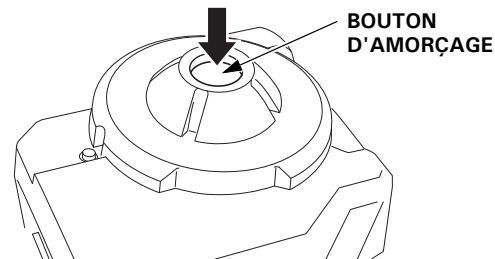
Certaines applications du moteur utilisent une commande à distance des gaz plutôt que le levier des gaz du moteur représenté ici. Consulter les instructions fournies par le fabricant de l'équipement.

3. placer le contacteur moteur sur la position MARCHE.



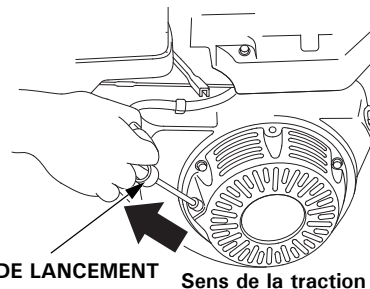
4. Lors du premier démarrage après la fixation de la durite GPL ou après au moins deux jours depuis la dernière utilisation du moteur, appuyer sur le bouton d'amorçage une fois (pendant environ une seconde).

Si la pression sur le bouton d'amorçage est trop longue, le démarrage peut être effectué en actionnant plusieurs fois le lanceur.



5. Actionner le démarreur.

Tirer doucement la poignée de lancement jusqu'à ce que l'on ressent une résistance, puis la tirer d'un coup sec dans le sens de la flèche comme sur la figure ci-dessous. Ramener doucement la poignée de lancement en arrière.



### REMARQUE

Ne pas laisser la poignée de lancement revenir brusquement contre le moteur. Accompagner doucement son mouvement de retour pour ne pas risquer d'endommager le lanceur.

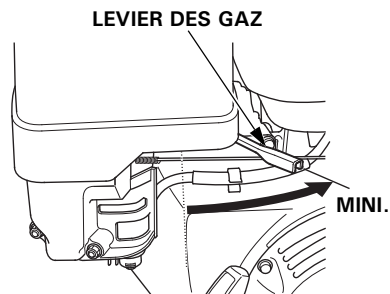


## ARRET DU MOTEUR

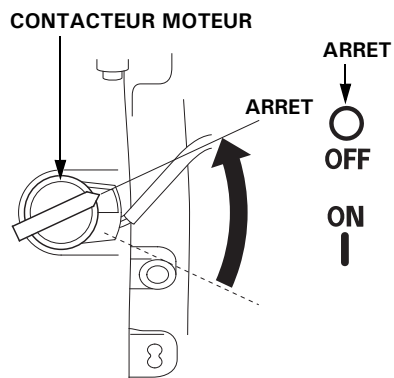
Pour arrêter le moteur en cas d'urgence, placer simplement le contacteur moteur sur la position ARRET. Dans les conditions normales, utiliser la procédure suivante. Consulter les instructions fournies par le fabricant de l'équipement.

1. Placer le levier des gaz sur la position MINI.

Certaines applications du moteur utilisent une commande à distance des gaz plutôt que le levier des gaz du moteur représenté ici.



2. Placer le contacteur moteur sur la position ARRET.



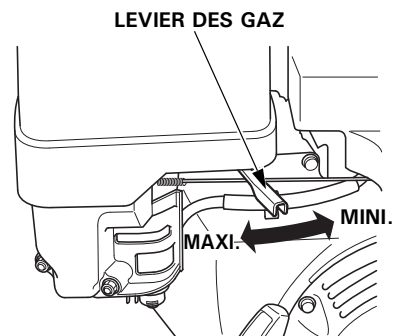
3. Arrêter l'alimentation en gaz.

## REGLAGE DU REGIME MOTEUR

Placer le levier des gaz sur la position correspondant au régime moteur désiré.

Certaines applications du moteur utilisent une commande à distance des gaz plutôt que le levier des gaz du moteur représenté ici. Consulter les instructions fournies par le fabricant de l'équipement.

Pour les recommandations de régime moteur, consulter les instructions accompagnant l'équipement commandé par ce moteur.



## ENTRETIEN DU MOTEUR

### L'IMPORTANT DE L'ENTRETIEN

Un bon entretien est essentiel pour un fonctionnement sûr, économique et sans problème. Il contribue également à réduire la pollution.

#### ⚠ ATTENTION

Un entretien incorrect de ce moteur ou l'absence de correction d'un problème avant l'utilisation peut entraîner un dysfonctionnement important.

Certains dysfonctionnements peuvent entraîner des blessures graves voire un décès.

Toujours observer les recommandations et programmes de contrôle et d'entretien figurant dans ce manuel.

Pour permettre d'entretenir correctement le moteur, on trouvera aux pages suivantes un programme d'entretien, des procédures de contrôle de routine et des procédures d'entretien simples pouvant être effectuées avec des outils à main de base. D'autres opérations d'entretien plus difficiles ou demandant des outils spéciaux seront mieux exécutées par des professionnels et devront normalement être confiées à un technicien Honda ou à un autre mécanicien qualifié.

Le programme d'entretien s'applique à des conditions d'utilisation normales. Si l'on utilise le moteur dans des conditions sévères telles qu'un fonctionnement prolongé sous une charge élevée ou par haute température, ou dans des conditions anormalement humides ou poussiéreuses, demander au concessionnaire réparateur des recommandations pour des besoins et un usage particuliers. **N'utiliser que des pièces d'origine Honda ou leur équivalent. L'utilisation de pièces de rechange de qualité non équivalente peut entraîner une détérioration du moteur.**

### SECURITE D'ENTRETIEN

Certaines des consignes de sécurité les plus importantes sont indiquées ci-dessous. Il ne nous est toutefois pas possible de vous avertir de tous les dangers imaginables que vous pouvez rencontrer en exécutant l'entretien. Vous êtes seul juge de décider si vous devez ou non effectuer un travail donné.

#### ⚠ ATTENTION

Un entretien incorrect peut entraîner des problèmes de sécurité.

En n'observant pas correctement les instructions et précautions d'entretien, on s'expose à de graves blessures ou à un danger de mort.

Toujours observer les procédures et précautions de ce manuel.

### CONSIGNES DE SECURITE

- Avant de commencer un entretien ou une réparation, s'assurer que le moteur est arrêté. Déconnecter le capuchon de bougie pour ne pas risquer un démarrage involontaire. Ceci éliminera plusieurs risques potentiels:
  - **Empoisonnement par le monoxyde de carbone présent dans les gaz d'échappement.**  
Utiliser le moteur à l'extérieur loin de toute fenêtre ou porte ouverte.
  - **Brûlures provoquées par des pièces à haute température.**  
Attendre que le moteur et le système d'échappement se soient refroidis avant de les toucher.
  - **Blessures par pièces mobiles.**  
Ne faire tourner le moteur que si cela est indiqué dans les instructions.
- Lire les instructions avant de commencer et s'assurer que l'on dispose de l'outillage et des compétences nécessaires.
- Pour diminuer les risques d'incendie ou d'explosion, agir avec prudence lorsque l'on travaille à proximité de GPL. Pour nettoyer les pièces, n'utiliser que des solvants ininflammables et non de l'essence. Ne pas approcher de cigarettes, étincelles ou flammes des pièces du système d'alimentation en carburant.

Ne pas oublier que c'est le concessionnaire Honda agréé qui connaît le mieux le moteur et qu'il est parfaitement outillé pour son entretien et sa réparation. Pour garantir qualité et fiabilité des réparations, n'utiliser que des pièces Honda d'origine ou leurs équivalents.

### PROGRAMME D'ENTRETIEN

PERIODICITE D'ENTRETIEN (1) Exécuter l'entretien selon la périodicité indiquée en mois ou en heures de fonctionnement, à la première des deux échéances.		A chaque utilisation	Premier mois ou 20 h	Tous les 3 mois ou 50 h	Tous les 6 mois ou 100 h	Une fois par an ou 300 h	Se reporter à la page	
POSTE								
Huile moteur	Contrôle du niveau	o					7	
	Renouvellement		o		o			
Filtre à air	Contrôle	o					8	
	Nettoyer			o (2)			8	
	Remplacement					o		
Bougie	Contrôle-réglage				o		9	
	Remplacement					o		
Régime de ralenti	Contrôle-réglage					o (3)	9	
Jeu aux soupapes	Contrôle-réglage					o (3)	Manuel d'atelier	
Chambre de combustion	Nettoyer	Toutes les 500 h (3)						Manuel d'atelier
Détendeur à zéro	Contrôle-Nettoyage	Tous les 2 ans ou 300 h (Remplacement des pièces si nécessaire)(3)(4)						Manuel d'atelier
Tuyau de carburant Tuyau d'arrêt Tuyau de vidange	Contrôle	Tous les 2 ans (Remplacer si nécessaire) (3)(4)						Manuel d'atelier

- Pour une utilisation commerciale, consigner le nombre d'heures de service afin de déterminer la périodicité d'entretien appropriée.
- En cas d'utilisation dans des endroits poussiéreux, augmenter la fréquence d'entretien.
- Confier l'entretien de ces points au concessionnaire réparateur à moins de disposer des outils appropriés et d'avoir les compétences requises en mécanique. Pour les procédures d'entretien, consulter le manuel d'atelier Honda.
- Vérifier l'absence de fissures et de dommages et remplacer la pièce si nécessaire.

L'inobservation de ce programme d'entretien peut entraîner des problèmes non couverts par la garantie.

### REPLISSAGE EN CARBURANT

#### Carburant recommandé

Propane	Butane
30 %	70 %
40 %	60 %
50 %	50 %
60 %	40 %
70 %	30 %

Ce moteur est certifié pour fonctionner avec du GPL uniquement.

Le moteur peut ne pas réussir à démarrer à 0°C ou une température inférieure en fonction de la composition ou de la quantité restante de gaz dans la bouteille pour GPL.

Un léger "cognement d'allumage" ou "cliquetis" (bruit de coups métalliques) peut se produire occasionnellement lors d'une utilisation sous une lourde charge. Il n'y a pas lieu de s'en inquiéter.

S'il se produit un cognement ou un cliquetis alors que le moteur tourne régulièrement sous une charge normale, consulter un concessionnaire Honda agréé.

#### REMARQUE

*L'utilisation du moteur avec un cognement d'allumage ou un cliquetis persistant peut l'endommager.*

*L'utilisation du moteur avec un cognement d'allumage ou un cliquetis persistant est considérée comme un mauvais usage, et la Garantie limitée du distributeur ne couvre pas les pièces endommagées par un mauvais usage.*

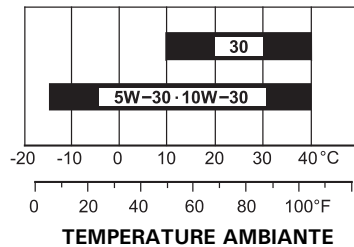
## HUILE MOTEUR

L'huile est un facteur déterminant pour la performance et la durée de service.

Utiliser une huile automobile 4 temps détergente qui est conçue pour les moteurs fonctionnant au GPL.

### Huile recommandée

Utiliser une huile moteur 4 temps répondant au minimum aux prescriptions pour la catégorie de service API SE ou ultérieure (ou équivalente). Toujours vérifier l'étiquette de service API sur le bidon d'huile pour s'assurer qu'elle porte bien la mention SE ou ultérieure (ou équivalente).

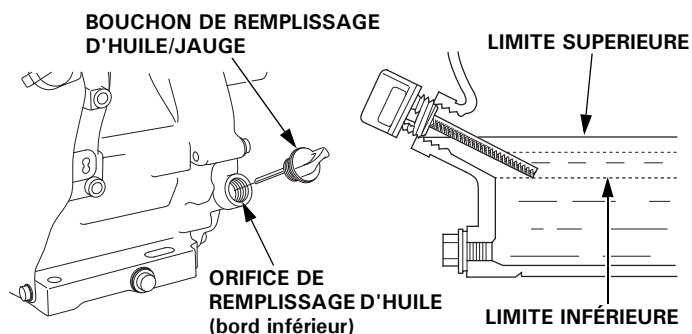


L'indice SAE 10W-30 est préconisé pour un usage général. Les autres viscosités indiquées dans le tableau peuvent être utilisées lorsque la température moyenne du lieu d'utilisation se trouve dans la plage indiquée.

### Vérification du niveau d'huile

Contrôler le niveau d'huile moteur avec le moteur arrêté et à l'horizontale.

1. Retirer le bouchon de remplissage d'huile/jauge et l'essuyer.
2. Introduire le bouchon de remplissage d'huile/jauge dans le goulot de remplissage d'huile comme sur la figure, sans le visser, puis le retirer pour vérifier le niveau d'huile.
3. Si le niveau d'huile est proche du repère de limite minimum de la jauge ou au-dessous, faire l'appoint d'huile recommandée jusqu'au repère de limite maximum (bord inférieur de l'orifice de remplissage d'huile). Ne pas trop remplir.
4. Remettre le bouchon de remplissage d'huile/jauge en place.



#### REMARQUE

*L'utilisation du moteur avec un niveau d'huile trop bas peut l'endommager. Ce type de dégâts n'est pas couvert par la garantie.*

Le système Oil Alert (selon type) arrête automatiquement le moteur avant que le niveau d'huile ne descende au-dessous du seuil de sécurité. Toutefois, pour éviter l'inconvénient d'un arrêt imprévu, toujours vérifier le niveau d'huile du moteur avant le démarrage.

## Renouvellement d'huile

Vidanger l'huile usagée lorsque le moteur est chaud. La vidange s'effectue plus rapidement et plus complètement lorsque l'huile est chaude.

1. Placer un récipient approprié sous le moteur pour recueillir l'huile usée, puis retirer le bouchon de remplissage d'huile/jauge, le boulon de vidange d'huile et la rondelle.
2. Vidanger complètement l'huile usée, puis remettre le boulon de vidange d'huile en place avec une rondelle neuve et le serrer à fond.

Se débarrasser de l'huile moteur usagée d'une manière compatible avec l'environnement. Nous conseillons de la porter dans un récipient fermé à la déchetterie locale ou à une station-service pour qu'elle soit recyclée. Ne pas la jeter aux ordures ni la déverser à terre ou dans un égout.

3. Avec le moteur à l'horizontale, remplir d'huile recommandée jusqu'au repère de limite maximum (bord inférieur de l'orifice de remplissage d'huile) de la jauge.

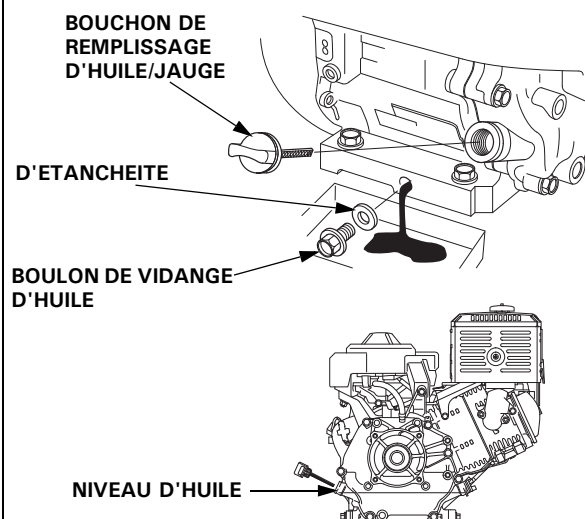
Contenance en huile moteur : GX200 : 0,60 L  
GX390 : 1,1 L

#### REMARQUE

*L'utilisation du moteur avec un niveau d'huile trop bas peut l'endommager. Ce type de dommage n'est pas couvert par la Garantie limitée du distributeur.*

Le système Oil Alert (selon type) arrête automatiquement le moteur avant que le niveau d'huile ne descende au-dessous du seuil de sécurité. Toutefois, pour éviter l'inconvénient d'un arrêt imprévu, remplir jusqu'à la limite maximum et vérifier le niveau régulièrement.

4. Reposer le bouchon de remplissage d'huile/jauge et le serrer à fond.



Se laver les mains à l'eau savonneuse après manipulation d'huile usagée.

#### REMARQUE

*Se débarrasser de l'huile moteur usagée d'une manière compatible avec l'environnement. Nous conseillons de la porter dans un récipient fermé à une station-service locale pour son recyclage. Ne pas la jeter aux ordures ni la déverser à terre ou dans un égout.*

## FILTRE A AIR

Un filtre à air sale restreint le passage d'air vers le mélangeur et réduit ainsi les performances du moteur. Si l'on utilise le moteur dans des endroits très poussiéreux, nettoyer le filtre à air plus souvent qu'il n'est indiqué dans le PROGRAMME D'ENTRETIEN (voir page 6).

### REMARQUE

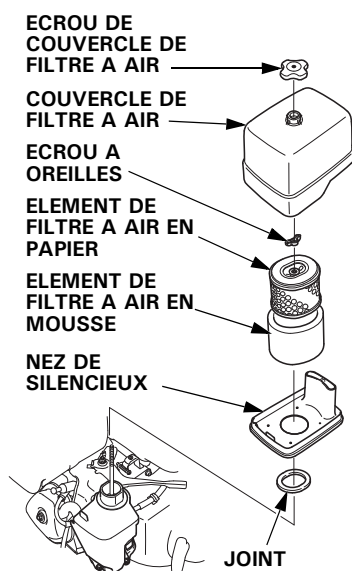
*Faire fonctionner le moteur sans filtre à air ou avec un filtre à air abîmé risque d'encrasser le moteur et de provoquer l'usure rapide du moteur. Ce type de dommage n'est pas couvert par la Garantie limitée du distributeur.*

### Contrôle

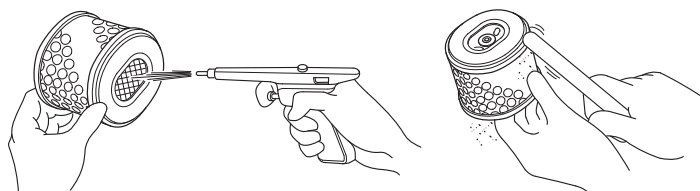
Déposer le couvercle de filtre à air et contrôler les éléments filtrants. Nettoyer ou remplacer des éléments filtrants sales. Toujours remplacer des éléments filtrants endommagés.

### Nettoyage

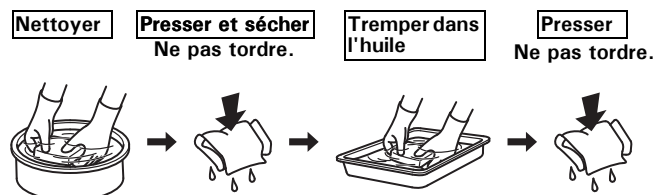
1. Retirer l'écrou de couvercle de filtre à air du couvercle de filtre à air et déposer le couvercle.
2. Retirer l'écrou à oreilles du filtre à air et déposer le filtre.
3. Déposer l'élément filtrant en mousse de l'élément filtrant en papier.
4. Contrôler les deux éléments du filtre à air et les remplacer s'ils sont endommagés. Toujours remplacer l'élément filtrant en papier aux intervalles prévus dans le programme d'entretien (voir page 6).
5. Nettoyer les éléments du filtre à air s'ils doivent être réutilisés.



Élément filtrant en papier: Tapoter doucement l'élément filtrant à plusieurs reprises sur une surface dure pour en détacher la saleté ou appliquer un jet d'air comprimé [207 kPa (2,1 kgf/cm<sup>2</sup>) maximum] à travers l'élément filtrant depuis l'intérieur. Ne jamais essayer de faire partir la saleté avec une brosse; ceci ne ferait qu'enfoncer la saleté dans les fibres.



Élément de filtre à air en mousse: nettoyer l'élément dans de l'eau savonneuse chaude, le rincer et le laisser sécher complètement. On pourra également le nettoyer dans un solvant ininflammable, puis le laisser sécher. Tremper l'élément filtrant dans de l'huile moteur propre, puis en éliminer toute huile en excès. S'il reste trop d'huile dans la mousse, le moteur fumera au démarrage.



6. Essuyer la saleté à l'intérieur du boîtier et du couvercle de filtre à air à l'aide d'un chiffon humide. Veiller à ce que la saleté ne pénètre pas dans le conduit d'air menant au mélangeur.
7. Placer l'élément filtrant en mousse sur l'élément filtrant en papier, puis reposer le filtre à air assemblé. S'assurer que le joint est en place sous le filtre à air. Serrer l'écrou à oreilles à fond.
8. Reposer le couvercle de filtre à air et serrer son écrou à fond.

**BOUGIE**

**Bougies recommandées :** GX200 : BPR6ES-5 (NGK)  
GX390 : BP6ES (NGK)

La bougie recommandée possède l'indice thermique correct pour des températures normales de fonctionnement du moteur.

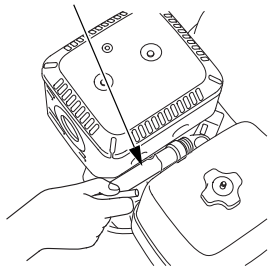
**REMARQUE**

*Une bougie incorrecte peut provoquer des dommages au moteur.*

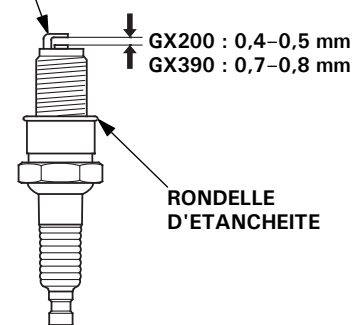
Si le moteur vient de tourner, le laisser se refroidir avant toute intervention sur la bougie.

Pour que les performances soient bonnes, la bougie doit avoir un écartement des électrodes correct et ne pas être encrassée.

1. Déconnecter le capuchon de bougie et nettoyer toute saleté autour de la bougie.
2. Déposer la bougie avec une clé à bougie.
3. Contrôler la bougie. La remplacer si elle est endommagée ou très encrassée, si sa rondelle d'étanchéité est en mauvais état ou si son électrode est usée.

**CLE A BOUGIE****ELECTRODE LATÉRALE**

4. Mesurer l'écartement des électrodes avec un calibre d'épaisseur à fils. Si nécessaire, le corriger en pliant l'électrode latérale. L'écartement des électrodes doit être de:  
GX200 : 0,4–0,5 mm  
GX390 : 0,7–0,8 mm



5. Reposer la bougie avec précaution à la main pour éviter de foirer son filetage.
6. Lorsque la bougie a touché son siège, continuer à la serrer avec une clé à bougie pour comprimer la rondelle d'étanchéité.

Si la bougie est neuve, la serrer de 1/2 tour après qu'elle a touché son siège pour comprimer la rondelle.

Si elle a déjà été utilisée, la serrer de 1/8 à 1/4 de tour après qu'elle a touché son siège pour comprimer la rondelle.

**COUPLE DE SERRAGE :** 18 N·m (1,8 kgf·m, 13 lbf·ft)

**REMARQUE**

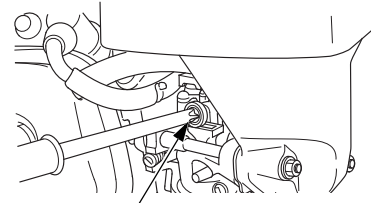
*Une bougie insuffisamment serrée peut surchauffer et endommager le moteur.*

*Un serrage excessif de la bougie peut endommager le filetage dans la culasse.*

7. Fixer le capuchon de bougie sur la bougie.

**REGIME DE RALENTI****Réglage**

1. Mettre le moteur en marche à l'extérieur et l'échauffer jusqu'à la température de fonctionnement.
2. Placer le levier des gaz sur la position minimum.
3. Tourner la vis butée de ralenti pour obtenir le régime de ralenti standard.

**VIS DE BUTÉE DES GAZ**

Régime de ralenti standard: GX200 : 1 400 + 200 min<sup>-1</sup>(tr/min)  
- 150 min<sup>-1</sup>(tr/min)  
GX390 : 1 400 ± 150 min<sup>-1</sup>(tr/min)

## CONSEILS ET SUGGESTIONS UTILES

### REMISAGE DU MOTEUR

#### Préparation au remisage

Arrêter le moteur et fermer le robinet d'alimentation en GPL. Pour les modèles vendus en Indonésie, relâcher le régulateur basse pression avant de déposer la durite.

Une préparation au remisage appropriée est essentielle pour maintenir le moteur en bon état de fonctionnement et lui conserver son bel aspect. Les opérations suivantes contribueront à empêcher que la rouille et la corrosion n'affectent le fonctionnement et l'aspect du moteur et à faciliter le démarrage du moteur lors de sa remise en service.

#### Nettoyage

Si le moteur vient de tourner, le laisser se refroidir pendant au moins une demi-heure avant le nettoyage. Nettoyer toutes les surfaces extérieures, faire les retouches de peinture nécessaires et enduire toutes les parties susceptibles de rouiller d'une légère couche d'huile.

#### REMARQUE

*L'utilisation d'un tuyau d'arrosage ou d'un dispositif de lavage sous pression peut faire pénétrer de l'eau dans le filtre à air ou dans l'ouverture du silencieux. L'eau dans le filtre à air imbibe alors l'élément filtrant, et l'eau qui traverse l'élément filtrant ou le silencieux peut pénétrer dans le cylindre et causer des dommages.*

#### Huile moteur

1. Changer l'huile moteur (voir page 7).

#### Cylindre de moteur

1. Déposer la bougie.
2. Verser une cuillère à café, soit 5 à 10 cm<sup>3</sup>, d'huile moteur propre dans le cylindre.
3. Tirer la poignée de lancement à plusieurs reprises pour distribuer l'huile dans le cylindre.
4. Reposer la bougie.
5. Tirer doucement la poignée de lancement jusqu'à ce que l'on ressente une résistance. Ceci ferme les soupapes pour empêcher l'humidité de pénétrer dans le cylindre du moteur. Ramener doucement la poignée de lancement en arrière.
6. Couvrir le moteur pour le protéger contre la poussière.

#### Précautions de remisage

Choisir une zone de remisage bien aérée loin de tout appareil à flamme tel que fourneau, chauffe-eau ou séchoir à linge. Éviter également un endroit où un moteur électrique produisant des étincelles ou des outils électriques sont utilisés.

Éviter dans la mesure du possible des zones de remisage très humides car ceci favorise la rouille et la corrosion.

Garder le moteur à l'horizontale lors du remisage. Une inclinaison peut provoquer des fuites d'huile.

Alors que le moteur et le système d'échappement sont froids, couvrir le moteur pour le protéger contre la poussière. Un moteur ou un système d'échappement chauds peuvent enflammer ou faire fondre certaines matières. Ne pas utiliser une bâche en plastique pour la protection contre la poussière.

Une bâche non poreuse emprisonne l'humidité autour du moteur et favorise la rouille et la corrosion.

#### Fin du remisage

Vérifier le moteur comme il est indiqué à la section **CONTROLES AVANT L'UTILISATION** de ce manuel (voir page 3).

Si le cylindre a été enduit d'huile lors de la préparation au remisage, le moteur fume brièvement au démarrage. Ceci est normal.

#### TRANSPORT

Si le moteur vient de tourner, le laisser refroidir pendant au moins 15 minutes avant de charger l'équipement commandé par lui sur le véhicule de transport. Un moteur ou un système d'échappement chauds peuvent provoquer des brûlures et enflammer certaines matières.

La durite GPL doit être détachée avant de transporter le moteur. La durite GPL doit être détachée.

## EN CAS DE PROBLEME INATTENDU

### LE MOTEUR NE DEMARRE PAS

Cause possible	Remède
Contacteur moteur sur ARRET.	Placer le contacteur moteur sur la position MARCHE.
Absence de carburant.	Faire le plein de carburant (p. 6).
Niveau d'huile moteur bas (modèles avec Oil Alert).	Faire l'appoint avec l'huile recommandée jusqu'au niveau voulu (p. 7).
Bougie défectueuse, encrassée ou mauvais écartement des électrodes.	Régler l'écartement ou remplacer la bougie (p. 9).
Dysfonctionnement du mélangeur ou de l'allumage, soupapes gommées, etc.	Apporter le moteur au concessionnaire réparateur ou se reporter au manuel d'atelier.

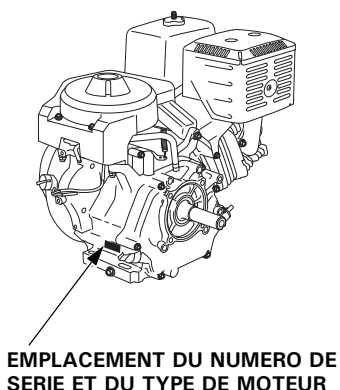
### LE MOTEUR MANQUE DE PUISSANCE

Cause possible	Remède
Élément(s) filtrant(s) colmaté(s).	Nettoyer ou remplacer le(s) élément(s) filtrant(s) (p. 8).
La qualité du carburant ou la pression est faible.	Utiliser une source d'alimentation en GPL fiable.
Dysfonctionnement du mélangeur ou de l'allumage, soupapes gommées, etc.	Apporter le moteur au concessionnaire réparateur ou se reporter au manuel d'atelier.

## INFORMATIONS TECHNIQUES

### Emplacement du numéro de série

Noter le numéro de série du moteur dans l'espace ci-dessous. Ces informations seront nécessaires pour la commande de pièces et les demandes de renseignements techniques ou de garantie.



EMPLACEMENT DU NUMERO DE SERIE ET DU TYPE DE MOTEUR

Numéro de série du moteur: \_\_\_\_\_

Type de moteur: \_\_\_\_\_

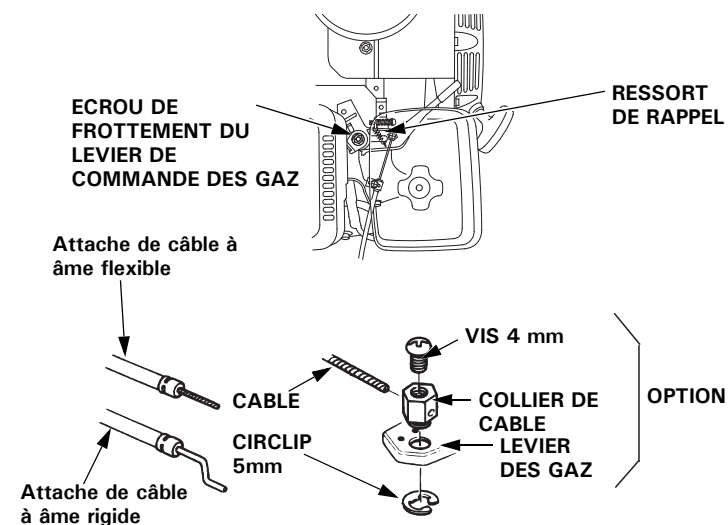
Date d'achat: \_\_\_\_ / \_\_\_\_ / \_\_\_\_

### Tringlerie de commande à distance

Le levier des gaz comporte un orifice pour la fixation d'un câble en option. Les illustrations suivantes présentent un exemple d'installation d'un câble métallique rigide et d'un câble métallique tressé flexible. Si l'on utilise un câble métallique tressé flexible, ajouter un ressort de rappel comme sur la figure.

Pour commander les gaz à l'aide d'une commande à distance, desserrer l'écrou de dureté du levier des gaz.

### TRINGLERIE DE COMMANDE A DISTANCE DES GAZ



### Utilisation à haute altitude

Le moteur au GPL n'exige pas de modification pour un fonctionnement à haute altitude. Néanmoins, les performances et la puissance diminueront aux altitudes élevées.

### Spécifications

#### GX200 (arbre de prise de force de type Q)

Longueur × largeur × hauteur	321 × 376 × 335 mm
Masse à sec [poids]	16,0 kg
Type de moteur	4 temps, soupapes en tête, monocylindre
Cylindrée [alésage × course]	196 cm <sup>3</sup> [68,0 × 54,0 mm]
Puissance nette (conformément à la norme SAE J1349*)	4,1 kW (5,6 PS) à 3 600 min <sup>-1</sup> (tr/min)
Couple net maxi. (conformément à la norme SAE J1349*)	12,4 N·m (1,26 kgf·m) à 2 500 min <sup>-1</sup> (tr/min)
Contenance en huile moteur	0,60 L
Refroidissement	Forcé par circulation d'air
Allumage	Magnéto à transistors
Rotation de l'arbre de prise de force	Sens contraire des aiguilles d'une montre

#### GX390 (arbre de prise de force de type Q)

Longueur × largeur × hauteur	406 × 460 × 448 mm
Masse à sec [poids]	30,7 kg
Type de moteur	4 temps, soupapes en tête, monocylindre
Cylindrée [alésage × course]	389 cm <sup>3</sup> [88,0 × 64,0 mm]
Puissance nette (conformément à la norme SAE J1349*)	7,9 kW (10,7 PS) à 3 600 min <sup>-1</sup> (tr/min)
Couple net maxi. (conformément à la norme SAE J1349*)	24,0 N·m (2,45 kgf·m) à 2 500 min <sup>-1</sup> (tr/min)
Contenance en huile moteur	1,1 L
Refroidissement	Forcé par circulation d'air
Allumage	Magnéto à CDI
Rotation de l'arbre de prise de force	Sens contraire des aiguilles d'une montre

\* La puissance nominale du moteur indiquée dans ce document est la puissance de sortie nette testée sur un moteur de série de ce modèle et mesurée conformément à SAE J1349 à 3 600 min<sup>-1</sup>(tr/min) (puissance nette) et à 2 500 min<sup>-1</sup>(tr/min) (couple net maxi). La puissance des moteurs de grande série peut varier par rapport à la valeur indiquée. La puissance réelle du moteur équipant la machine au final varie en fonction de nombreux facteurs, notamment le régime de service du moteur en utilisation, les facteurs environnementaux, l'entretien, et d'autres variables.

### Caractéristiques de mise au point

#### GX200

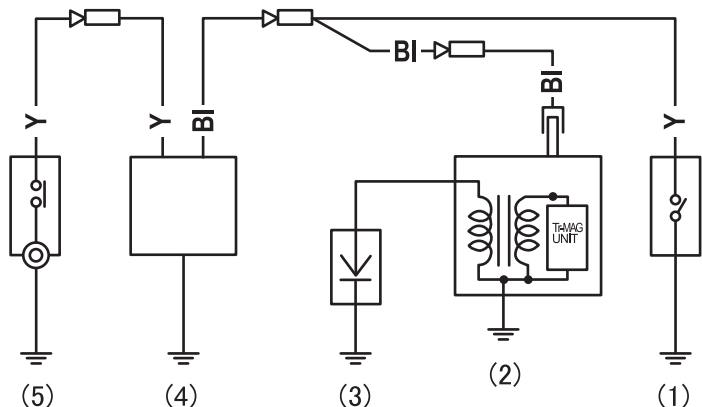
POSTE	SPECIFICATION	ENTRETIEN
Ecartement des électrodes	0,4–0,5 mm	Se reporter à la page: 9
Régime de ralenti	1 400 + 200 min <sup>-1</sup> (tr/min) – 150 min <sup>-1</sup> (tr/min)	
Jeu aux soupapes (à froid)	ADM : 0,15 ± 0,02 mm ECH : 0,20 ± 0,02 mm	Consulter votre concessionnaire Honda agréé.
Autres caractéristiques	Aucun autre réglage n'est nécessaire.	

#### GX390

POSTE	SPECIFICATION	ENTRETIEN
Ecartement des électrodes	0,7–0,8 mm	Se reporter à la page: 9
Régime de ralenti	1 400 ± 150 min <sup>-1</sup> (tr/min)	
Jeu aux soupapes (à froid)	ADM : 0,15 ± 0,02 mm ECH : 0,20 ± 0,02 mm	Consulter votre concessionnaire Honda agréé.
Autres caractéristiques	Aucun autre réglage n'est nécessaire.	

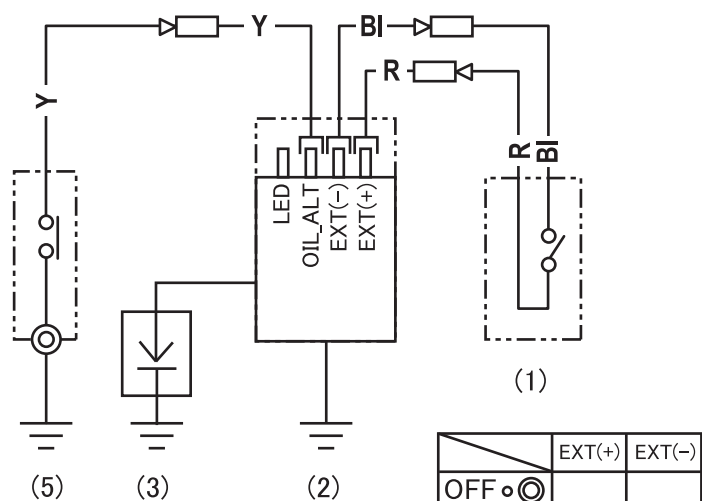
Schémas de câblage

GX200



	IGN	EARTH
OFF ●	○	○
ON ○	□	

GX390



	EXT(+)	EXT(-)
OFF ●		
ON ○	○	○

- (1) CONTACTEUR MOTEUR
- (2) BOBINE D'ALLUMAGE
- (3) BOUGIE
- (4) UNITE OIL ALERT
- (5) CONTACTEUR DE NIVEAU D'HUILE

BI	Noir
Y	Jaune
R	Rouge

INFORMATION DU CONSOMMATEUR

INFORMATIONS SUR LE LOCALISATEUR DE DISTRIBUTEURS/ CONCESSIONNAIRES

Rendez-vous sur notre site Web : <http://www.honda-engines-eu.com>

INFORMATIONS D'ENTRETIEN POUR LE CLIENT

Le personnel des concessionnaires compte des professionnels qualifiés. Il devrait pouvoir répondre à toutes vos questions. Si le technicien ne résout pas votre problème de manière satisfaisante, adressez-vous à la direction de la concession. Le responsable du service après-vente, le directeur général ou le propriétaire pourra vous aider. Presque tous les problèmes se résolvent de cette manière.

Si vous n'êtes pas satisfait de la décision prise par la direction de la concession, adressez-vous au bureau Honda indiqué.

< Bureau Honda >

Lorsque vous écrivez ou appelez, veuillez fournir les informations suivantes:

- Nom du fabricant et numéro de modèle de l'équipement sur lequel est monté le moteur
- Modèle, numéro de série et type du moteur (voir page 11)
- Nom du concessionnaire vous ayant vendu le moteur
- Nom, adresse et personne à contacter du concessionnaire assurant le service après-vente de votre moteur
- Date d'achat
- Vos nom, adresse et numéro de téléphone
- Description détaillée du problème

**Honda Motor Europe Logistics NV.**  
European Engine Center

<http://www.honda-engines-eu.com>

S'adresser au distributeur Honda local pour toute assistance.

**HONDA**



## VORWORT

Vielen Dank, dass Sie sich für einen Motor von Honda entschieden haben. Wir möchten Ihnen dabei helfen, die besten Ergebnisse mit Ihrem neuen Motor zu erzielen und ihn sicher zu betreiben. Dieses Handbuch enthält diesbezügliche Informationen; bitte lesen Sie es sorgfältig durch, bevor Sie den Motor in Betrieb nehmen. Wenden Sie sich mit Problemen oder Fragen jederzeit an Ihren Wartungshändler.

Alle Informationen in dieser Veröffentlichung beruhen auf dem zum Zeitpunkt der Drucklegung aktuellen Produktinformationsstand. Honda Motor Co., Ltd. behält sich das Recht vor, jederzeit und ohne Vorankündigung Änderungen vornehmen zu dürfen, ohne hierdurch irgendeine Verpflichtung einzugehen. Kein Teil dieser Veröffentlichung darf ohne schriftliche Genehmigung reproduziert werden.


Dieses Handbuch ist als permanenter Bestandteil des Motors zu betrachten und sollte bei einem Verkauf des Motors dem neuen Besitzer übergeben werden.

Wir raten Ihnen, die Garantiepolice durchzulesen, um die Garantieleistungen und Ihre Verantwortung als Besitzer voll zu verstehen.

Zusätzliche Informationen bezüglich Starten, Stoppen, Betrieb und Einstellungen des Motors oder spezieller Wartungsanweisungen entnehmen Sie bitte der Gebrauchsanleitung für die Ausrüstung, die durch diesen Motor angetrieben wird.

## SICHERHEITSHINWEISE

Ihre Sicherheit und die Sicherheit anderer Personen ist sehr wichtig. Wichtige Sicherheitsangaben finden Sie in diesem Handbuch und am Motor. Bitte lesen Sie diese Angaben aufmerksam.

Eine Sicherheitsangabe weist auf potenzielle Verletzungsgefahren für Sie und andere Personen hin. Jede Sicherheitsangabe ist durch ein Achtungssymbol  und eines der drei Schlüsselwörter **GEFAHR**, **WARNUNG** oder **VORSICHT** gekennzeichnet.

Diese Schlüsselwörter haben die folgenden Bedeutungen:

### **GEFAHR**

Missachtung der Anweisungen FÜHRT ZUM TOD oder zu SCHWEREN VERLETZUNGEN.

### **WARNUNG**

Missachtung der Anweisungen KANN ZUM TOD oder zu SCHWEREN VERLETZUNGEN führen.

### **VORSICHT**

Missachtung der Anweisungen KANN zu VERLETZUNGEN führen.

Jede dieser Angaben gibt Aufschluss über die Art der Gefahr, die möglichen Folgen und die Abhilfemaßnahmen zur Vermeidung oder Verringerung von Verletzungen.

## SCHADENVERHÜTUNGSANGABEN

Außerdem enthält das Handbuch andere wichtige Textstellen, die durch das Wort **ACHTUNG** gekennzeichnet sind.

Dieses Wort hat die folgende Bedeutung:

### **ACHTUNG**

Bei Nichtbefolgung der Anweisungen besteht die Gefahr einer Beschädigung des Motors oder anderer Sachwerte.

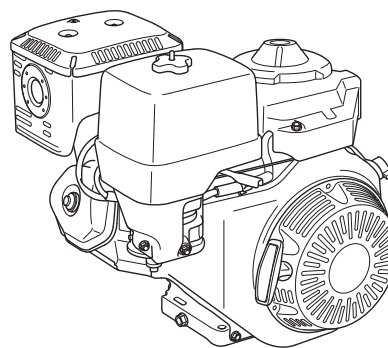
Diese Angaben sollen Ihnen dabei helfen, Schäden am Motor, an anderen Sachwerten und an der Umwelt zu verhüten.

# HONDA

## BEDIENUNGSANLEITUNG

### GX200 • GX390

### LPG-Motor



DEUTSCH

Die Abbildungen hier beziehen sich hauptsächlich auf: Ausführung Q mit Zapfwelle.

- Die Abbildung kann je nach Typ variieren.

## INHALT

VORWORT .....	1	LUFTFILTER .....	8
SICHERHEITSHINWEISE .....	1	Inspektion .....	8
SICHERHEITSINFORMATION ...	2	Reinigung .....	8
POSITION VON		ZÜNDKERZE .....	9
SICHERHEITSPAKETTEN .....	2	LEERLAUFDREHZAHL .....	9
LAGE VON TEILEN UND		NÜTZLICHE TIPPS UND	
BEDIENUNGSELEMENTEN .....	2	EMPFEHLUNGEN .....	10
AUSSTATTUNGSMERKMALE ...	2	LAGERN DES MOTORS .....	10
VORBEREITUNG .....	3	TRANSPORT .....	10
KONTROLLEN VOR DEM		BEHEBUNG UNERWARTETER	
BETRIEB .....	3	PROBLEME .....	10
BETRIEB .....	4	TECHNISCHE INFORMATION ...	11
VORKEHRUNGEN FÜR		Position der Seriennummer ...	11
SICHEREN BETRIEB .....	4	Fernsteuergestänge .....	11
STARTEN DES MOTORS .....	4	Betrieb in großen Höhen .....	11
STOPPEN DES MOTORS .....	5	Technische Daten .....	11
EINSTELLEN DER		Abstimmungsspezifikationen .....	11
MOTORDREHZAHL .....	5	Schaltschemata .....	12
WARTUNG DES MOTORS .....	6	VERBRAUCHERINFORMATION ...	12
DIE BEDEUTSAMKEIT		VERTRIEB-/	
RICHTIGER WARTUNG .....	6	HÄNDLERSUCHINFORMATION ...	12
SICHERHEIT BEI		KUNDENDIENSTINFORMATION ...	12
WARTUNGSARBEITEN .....	6		
SICHERHEITSVORKEHRUNGEN ...	6		
WARTUNGSPLAN .....	6		
TANKEN .....	6		
MOTORÖL .....	7		
Empfohlenes Öl .....	7		
Ölstandkontrolle .....	7		
Ölwechsel .....	7		

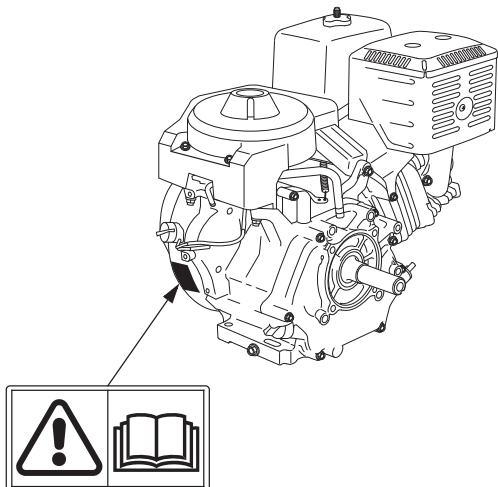
## SICHERHEITSINFORMATION

- Machen Sie sich mit der Funktion aller Bedienelemente vertraut, und prägen Sie sich ein, wie der Motor im Notfall schnell abzustellen ist. Stellen Sie sicher, dass die Bedienungsperson vor Benutzung der Ausrüstung ausreichende Anweisungen erhält.
- Kindern ist der Betrieb des Motors zu verbieten. Halten Sie Kinder und Tiere vom Betriebsbereich fern.
- Die Abgase des Motors enthalten giftiges Kohlenmonoxid. Lassen Sie den Motor nicht ohne ausreichende Belüftung und auf keinen Fall in Innenräumen laufen.
- Motor und Auspuff werden während des Betriebs sehr heiß. Halten Sie den Motor bei Betrieb mindestens 1 m von Gebäuden und anderer Ausrüstung fern. Halten Sie leicht entzündliche Materialien fern, und stellen Sie nichts auf den Motor, während er läuft.
- LPG ist extrem feuergefährlich und brennbar. Nur im Freien, in gut belüfteter Umgebung bei abgestelltem Motor auftanken. In der Nähe von LPG niemals rauchen und Flammen und Funken fernhalten.

## POSITION VON SICHERHEITSPAKETTEN

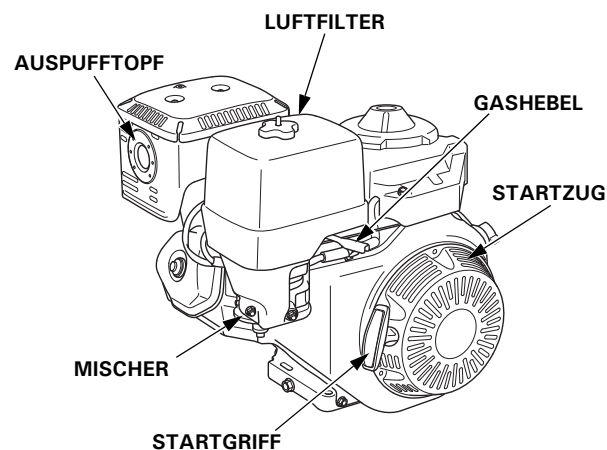
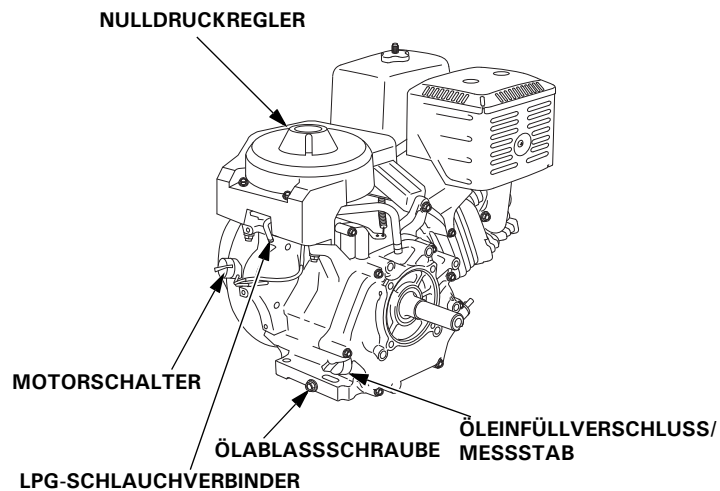
Diese Plakette warnt Sie vor möglichen Gefahren, um ernsthafte Verletzungen vermeiden zu helfen. Diese Hinweise sind aufmerksam durchzulesen.

Wenn sich die Plakette abgelöst hat oder schwer leserlich geworden ist, wenden Sie sich an Ihren Honda-Wartungshändler, um einen Ersatz zu bekommen.



Vor Inbetriebnahme die Bedienungsanleitung lesen.

## LAGE VON TEILEN UND BEDIENUNGSELEMENTEN



## AUSSTATTUNGSMERKMALE

### OIL ALERT-SYSTEM (Typen mit entsprechender Ausstattung)

Das Ölwarnsystem (Oil Alert) dient zur Verhinderung von Motorschäden, die durch eine unzureichende Ölmenge im Kurbelgehäuse verursacht werden können. Bevor der Ölstand im Oil Alert-System ein akustisches Signal ab, um darauf hinzuweisen, dass Öl nachgefüllt werden muss. (Der Motorschalter bleibt in Stellung EIN.)

Wenn der Motor stoppt und sich nicht mehr anlassen lässt, vor einer Störungssuche in anderen Bereichen den Ölstand überprüfen (siehe Seite 7).

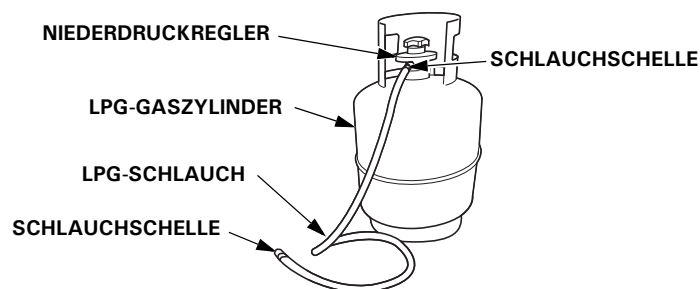
## VORBEREITUNG

### Kraftstoffsystem

Dieser Motor wird mit LPG betrieben.

LPG-Gaszylinder, Niederdruckregler, LPG-Schlauch und die zwei benötigten Schlauchschellen sind nicht im Lieferumfang enthalten und vom Kunden selbst bereitzustellen. Verwenden Sie ausschließlich Teile, die für die Verwendung mit LPG ausgelegt sind.

Die kundenseitig bereitgestellten Teile sind nicht von der Honda-Garantie gedeckt und vom Kunden selbst an den Motor anzuschließen und zu warten.

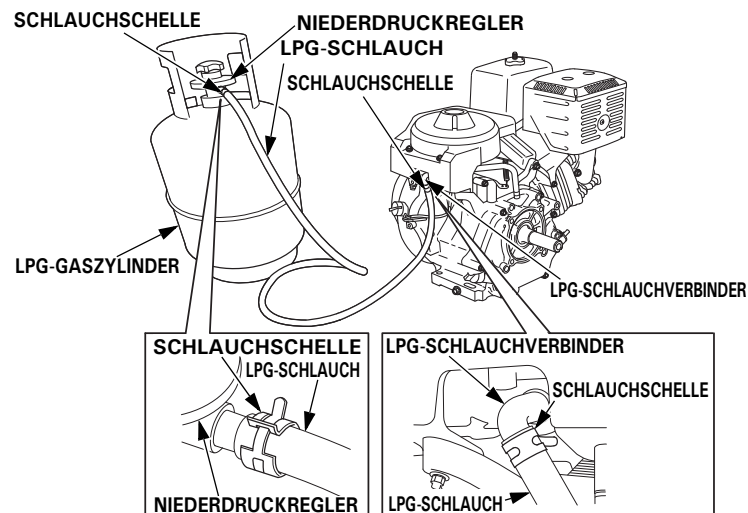


- Verwenden Sie einen für LPG zugelassenen LPG-Schlauch mit 10 mm Innendurchmesser.
- Verwenden Sie einen LPG-Schlauch mit max. 5 m Länge zwischen Niederdruckregler und Motor.
- Halten Sie den LPG-Schlauch stets von heißen Teilen und scharfen Kanten fern.
- Verwenden Sie einen Niederdruckregler, der die folgende Norm und Leistungsspezifikationen erfüllt.

Sollwert	Basierend auf EN 16129
Gasströmungsrate	1,2 kg/h oder höher (GX200) 3,4 kg/h oder höher (GX390)
Überströmventil*	Keines

\* Das Überströmventil kann in der Dokumentation des Reglers auch als "Sicherheitssystem" bezeichnet sein.

- Verwenden Sie einen LPG-Schlauch und Schlauchschellen, die für die Verwendung mit LPG geeignet sind.
- Bringen Sie den LPG-Schlauch am Niederdruckregler des LPG-Zylinders und dem LPG-Schlauchverbinder am Motor an.
- Befestigen Sie den LPG-Schlauch ausschließlich mit geeigneten Klemmen.



- Halten Sie Motor und LPG-Gaszylinder möglichst weit voneinander entfernt.
- Verwenden Sie den LPG-Gaszylinder nur in aufrecht stehendem Zustand.
- Tragen Sie, nachdem Sie Motor und LPG-Gaszylinder mithilfe des LPG-Schlauchs miteinander verbunden haben, etwas Seifenwasser auf die Verbindungsstellen auf, um sicherzugehen, dass kein Gas entweicht.

## KONTROLLEN VOR DEM BETRIEB

### IST DER MOTOR BETRIEBSBEREIT?

Um Ihre Sicherheit zu gewährleisten und die Lebensdauer der Ausrüstung zu maximieren, ist der Zustand des Motors vor jeder Inbetriebnahme zu überprüfen. Beheben Sie etwaige Störungen selbst, oder lassen Sie sie von Ihrer Kundendienstwerkstatt korrigieren, bevor Sie den Motor in Betrieb nehmen.

### ⚠ WARNUNG

Unsachgemäße Wartung dieses Motors oder Nichtbehebung eines Problems vor der Inbetriebnahme könnte eine ernste Funktionsstörung verursachen.

Manche Funktionsstörungen können zu schweren Verletzungen mit schlimmstenfalls Todesfolge führen.

Führen Sie stets eine Überprüfung vor jedem Betrieb durch, und beseitigen Sie etwaige Probleme.

Bevor Sie mit den Kontrollen vor dem Betrieb beginnen, vergewissern Sie sich, dass der Motor waagrecht steht und der Motorschalter in Stellung AUS ist.

Prüfen Sie stets die folgenden Punkte, bevor Sie den Motor starten:

#### LPG-Anschluss

Schließen Sie den LPG-Schlauch an den Motor an.

#### Dichtigkeit und Zustand des LPG-Schlauchs kontrollieren

Geben Sie etwas Seifenwasser auf den LPG-Schlauchverbinder und kontrollieren Sie, ob Gas entweicht.

Kontrollieren Sie den LPG-Schlauch auf Schäden.

Falls Gas entweicht oder der LPG-Schlauch Schäden aufweist, darf der Motor nicht verwendet werden. Ergreifen Sie entsprechende Maßnahmen, um die Verbindung abzudichten, oder tauschen Sie die Teile aus. Kontrollieren Sie vor Starten des Motors erneut, ob alle Anschlüsse dicht sind.

#### Allgemeinen Zustand des Motors kontrollieren

Prüfen Sie vor jedem Gebrauch die Außen- und Unterseite des Motors auf Anzeichen von Öllecks.

1. Übermäßigen Schmutz oder Fremdkörper entfernen, insbesondere um den Auspufftopf und den Startzug.
2. Nach Anzeichen von Beschädigung suchen.
3. Prüfen, ob alle Abschirmungen und Abdeckungen angebracht und alle Muttern sowie Schrauben angezogen sind.

#### Motor kontrollieren

Prüfen Sie vor jedem Gebrauch die Außen- und Unterseite des Motors auf Anzeichen von Öllecks.

1. Den Motorölstand kontrollieren (siehe Seite 7). Betrieb des Motors mit niedrigem Ölstand kann Motorschäden verursachen.

Das Oil Alert-System (Typen mit entsprechender Ausstattung) stoppt den Motor automatisch, bevor der Ölstand unter das sichere Minimalniveau sinkt. Um jedoch die Unannehmlichkeit einer plötzlichen Abschaltung zu vermeiden, sollten Sie vor jedem Starten den Motorölstand überprüfen.

2. Den Luftfiltereinsatz kontrollieren (siehe Seite 8). Ein verschmutzter Luftfiltereinsatz behindert den Luftstrom zum Mischer, wodurch die Motorleistung vermindert wird.
3. Kontrollieren Sie die von diesem Motor angetriebene Ausrüstung.

Schlagen Sie bezüglich etwaiger Vorkehrungen oder Verfahren, die vor dem Motorstart befolgt werden müssen, in der Gebrauchsanleitung für die von diesem Motor angetriebene Ausrüstung nach.

## BETRIEB

### VORKEHRUNGEN FÜR SICHEREN BETRIEB

Bitte lesen Sie die Abschnitte *SICHERHEITSINFORMATION* auf Seite 2 und *KONTROLLEN VOR DEM BETRIEB* auf Seite 3, bevor Sie den Motor zum ersten Mal in Betrieb nehmen.

Aus Sicherheitsgründen darf der Motor nicht in einem geschlossenen Raum, wie z. B. in einer Garage, betrieben werden. Das Motorabgas enthält giftiges Kohlenmonoxid, das sich in einer geschlossenen Umgebung rasch ansammelt und Übelkeit verursachen bzw. tödliche Folgen haben kann.

### ⚠️ WARNUNG

Abgase enthalten giftiges Kohlenmonoxid, das sich in geschlossenen Räumen in gefährlicher Konzentration ansammeln kann.

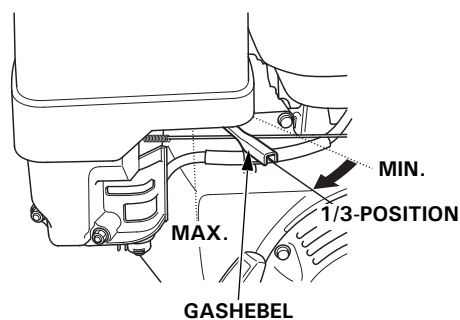
Einatmen von Kohlenmonoxid kann Bewusstlosigkeit hervorrufen und zum Tod führen.

Der Motor darf niemals in einem geschlossenen Raum laufen gelassen werden, und auch nicht in einer zum Teil geschlossenen Umgebung.

Schlagen Sie bezüglich etwaiger Sicherheitsvorkehrungen, die für Starten, Stoppen oder Betrieb des Motors befolgt werden müssen, in der Gebrauchsanleitung für die von diesem Motor angetriebene Ausrüstung nach.

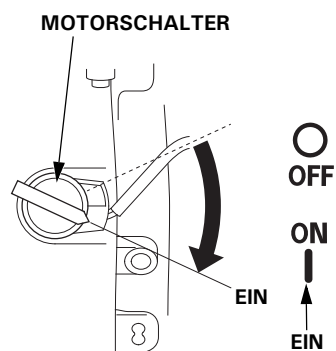
### STARTEN DES MOTORS

1. Gaszufuhr anstellen.
2. Den Gashebel um etwa 1/3 des Weges von der Position MIN. weg auf die Position MAX. zu bewegen.



Für manche Motoranwendungen wird anstelle des hier gezeigten motormontierten Gashebels eine fernmontierte Drosselklappensteuerung verwendet. Siehe Anweisungen des Ausrüstungsherstellers.

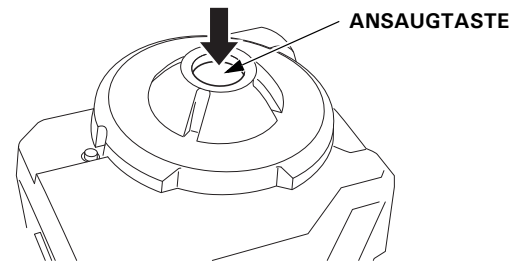
3. Den Motorschalter auf EIN stellen.



4

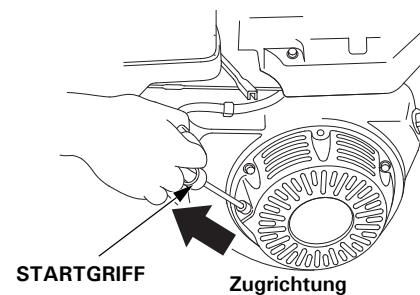
4. Wenn der Motor erstmals nach Anschließen des LPG-Schlauchs gestartet wird oder sein letzter Gebrauch mehr als zwei Tage zurückliegt, die Ansaugtaste einmal ca. eine Sekunde lang drücken.

Wurde die Ansaugtaste zu lange gedrückt, kann der Motor durch mehrmaliges Ziehen des Startzugs gestartet werden.



5. Den Starter betätigen.

Den Startgriff leicht ziehen, bis Widerstand zu spüren ist, dann den Griff kräftig in Pfeilrichtung durchziehen, wie unten gezeigt. Den Startgriff sachte zurückführen.



### ACHTUNG

*Den Startgriff nicht gegen den Motor zurückschlagen lassen. Langsam zurückführen, damit der Starter nicht beschädigt wird.*

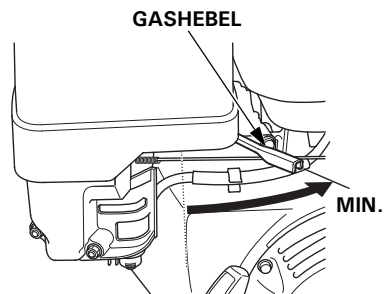
DEUTSCH

## STOPPEN DES MOTORS

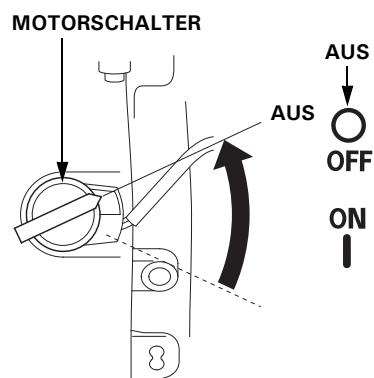
Zum Stoppen des Motors in einem Notfall stellen Sie einfach den Motorschalter auf AUS. Bei normalen Verhältnissen wenden Sie das folgende Verfahren an. Siehe Anweisungen des Ausrüstungsherstellers.

1. Den Gashebel auf MIN. stellen.

Für manche Motoranwendungen wird anstelle des hier gezeigten motormontierten Gashebels eine fernmontierte Drosselklappensteuerung verwendet.



2. Den Motorschalter auf AUS stellen.



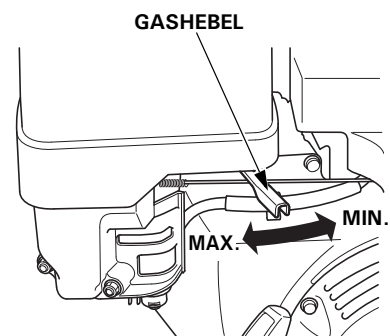
3. Gaszufuhr abstellen.

## EINSTELLEN DER MOTORDREHZAHL

Den Gashebel auf die gewünschte Motordrehzahl einstellen.

Für manche Motoranwendungen wird anstelle des hier gezeigten motormontierten Gashebels eine fernmontierte Drosselklappensteuerung verwendet. Siehe Anweisungen des Ausrüstungsherstellers.

Angaben zur empfohlenen Motordrehzahl entnehmen Sie bitte der Anleitung für die durch diesen Motor angetriebene Ausrüstung.



## WARTUNG DES MOTORS

### DIE BEDEUTSAMKEIT RICHTIGER WARTUNG

Gute Wartung ist für sicheren, wirtschaftlichen und störungsfreien Betrieb von ausschlaggebender Bedeutung. Sie trägt auch zur Verringerung der Umweltverschmutzung bei.

#### ⚠️ WARNUNG

Unsachgemäße Wartung dieses Motors oder Nichtbehebung eines Problems vor der Inbetriebnahme könnte eine ernste Funktionsstörung verursachen.

Manche Funktionsstörungen können zu schweren Verletzungen mit schlimmstenfalls Todesfolge führen.

Gehen Sie stets gemäß den Inspektions- und Wartungsempfehlungen/-plänen in dieser Bedienungsanleitung vor.

Um Ihnen bei der korrekten Pflege des Motors zu helfen, enthalten die folgenden Seiten einen Wartungsplan, routinemäßige Überprüfungsverfahren sowie einfache Wartungsverfahren mit grundlegenden Handwerkzeugen. Andere Wartungsarbeiten, die schwieriger sind oder Spezialwerkzeuge erfordern, sollten Sie Fachpersonal, wie z. B. einem Honda-Techniker oder einem qualifizierten Mechaniker, überlassen.

Der Wartungsplan gilt für normale Betriebsbedingungen. Wenn Sie den Motor unter erschwerten Bedingungen, z. B. im Dauerbetrieb bei hoher Belastung oder hohen Temperaturen, oder unter ungewöhnlich nassen oder staubigen Bedingungen betreiben, lassen Sie sich von Ihrem Wartungshändler hinsichtlich Ihrer individuellen Anforderungen beraten. **Nur Honda Original-Ersatzteile oder Teile gleichwertiger Qualität verwenden. Bei Verwendung von Ersatzteilen, die nicht den Qualitätsanforderungen entsprechen, kann der Motor beschädigt werden.**

### SICHERHEIT BEI WARTUNGSARBEITEN

Nachfolgend sind einige der wichtigsten Sicherheitsvorkehrungen aufgeführt. Es ist jedoch nicht möglich, alle denkbaren Gefahren, die bei Wartungsarbeiten auftreten können, zu erwähnen und entsprechende Vorsichtsmaßnahmen zu beschreiben. Nur Sie können entscheiden, ob Sie sich eine bestimmte Aufgabe zutrauen oder nicht.

#### ⚠️ WARNUNG

Unsachgemäße Wartung kann die Gebrauchssicherheit beeinträchtigen.

Wenn die Wartungsanweisungen und Vorsichtsmaßnahmen nicht genau befolgt werden, besteht die Gefahr ernsthafter Verletzungen mit schlimmstenfalls Todesfolge.

Befolgen Sie stets die in dieser Bedienungsanleitung angegebenen Verfahren und Vorsichtsmaßnahmen.

### SICHERHEITSVORKEHRUNGEN

- Bevor mit irgendeiner Wartungs- oder Reparaturarbeit begonnen wird, muss der Motor abgestellt sein. Den Zündkerzenstecker abziehen, um einen versehentlichen Anlauf zu vermeiden. Damit können mögliche Gefahren ausgeschaltet werden:
    - **Kohlenmonoxid-Vergiftung durch die Motorabgase.** Arbeiten Sie im Freien, weg von offenen Fenstern oder Türen.
    - **Verbrennungen durch heiße Teile.** Lassen Sie den Motor und die Auspuffanlage abkühlen, bevor Sie entsprechende Teile anfassen.
    - **Verletzungen durch bewegliche Teile.** Lassen Sie den Motor nur dann laufen, wenn Sie dazu angewiesen werden.
  - Lesen Sie zuerst die Anweisungen, und vergewissern Sie sich, dass Sie über die notwendigen Werkzeuge und Kenntnisse verfügen.
  - Um die Gefahr eines Brandes oder einer Explosion zu minimieren, lassen Sie beim Arbeiten in der Nähe von LPG besondere Vorsicht walten. Zum Reinigen von Teilen nur ein nicht entflammendes Lösungsmittel, kein Benzin verwenden. Zigaretten, Funken und Flammen von allen Kraftstoffteilen fern halten.
- Denken Sie daran, dass ein autorisierter Honda-Wartungshändler Ihren Motor am besten kennt und für Wartungs- und Reparaturarbeiten optimal ausgerüstet ist.
- Um höchste Qualität und Zuverlässigkeit zu gewährleisten, verwenden Sie nur neue Honda Original-Ersatzteile oder gleichwertige Teile für Reparatur und Austausch.

## WARTUNGSPLAN

REGELMÄSSIGER SERVICE (1) Diese Arbeiten sollen in den angegebenen monatlichen oder betriebsstündlichen Abständen durchgeführt werden. Maßgeblich ist der frühere Zeitpunkt.		Jede Verwendungs	Erster Monat oder 20 Stunden	Alle 3 Monate oder 50 Stunden	Alle 6 Monate oder 100 Stunden	Jedes Jahr oder alle 300 Stunden	Siehe Seite
POSITION							
Motoröl	Füllstand prüfen	o					7
	Wechseln		o		o		
Luftfilter	Prüfen	o					8
	Reinigen			o (2)			8
	Austauschen					o	
Zündkerze	Prüfen, einstellen				o		9
	Austauschen					o	
Leerlaufdrehzahl	Prüfen, einstellen					o (3)	9
Ventilspiel	Prüfen, einstellen					o (3)	Werkstatthandbuch
Brennraum	Reinigen	Alle 500 Stunden (3)					Werkstatthandbuch
Nulldruckregler	Prüfen/reinigen	Alle 2 Jahre oder 300 Stunden (Teile bei Bedarf austauschen)(3)(4)					Werkstatthandbuch
Kraftstoffleitung Absperroleitung Spüleleitung	Prüfen	Alle 2 Jahre (bei Bedarf austauschen) (3)(4)					Werkstatthandbuch

- (1) Bei kommerzieller Anwendung ein Betriebsstundenprotokoll führen, um die richtigen Wartungsintervalle bestimmen zu können.
- (2) Bei Einsatz in staubigen Umgebungen häufiger warten.
- (3) Diese Wartungsarbeiten sollten von Ihrem Wartungshändler ausgeführt werden, es sei denn, Sie verfügen über die richtigen Werkzeuge und technischen Qualifikationen. Beschreibungen der einzelnen Wartungsverfahren finden Sie im Honda-Werkstatthandbuch.
- (4) Sicherstellen, dass keine Risse oder Beschädigungen vorliegen; anderenfalls auswechseln.

Eine Nichtbeachtung des Wartungsplans kann zu Ausfällen führen, die von der Garantie nicht abgedeckt sind.

## TANKEN

### Empfohlener Kraftstoff

Propan	Butan
30 %	70 %
40 %	60 %
50 %	50 %
60 %	40 %
70 %	30 %

Dieser Motor ist ausschließlich für Betrieb mit LPG ausgelegt.

Je nach Zusammensetzung des Gases und Restmenge im LPG-Gaszylinder kann es sein, dass sich der Motor bei Temperaturen von 0°C und darunter nicht starten lässt.

Während des Betriebs unter starker Belastung kann gelegentlich ein leichtes "Klopfen" oder "Klingeln" (metallisches Klopfgeräusch) hörbar sein. Dies ist kein Grund zur Beunruhigung.

Falls Klopfen oder Klingeln bei gleichmäßiger Motordrehzahl unter normaler Belastung auftritt, wenden Sie sich an einen autorisierten Honda-Wartungshändler.

### ACHTUNG

*Betrieb des Motors bei fortwährendem Klopfen oder Klingeln kann Motorschäden verursachen.*

*Betrieb des Motors unter fortwährendem Klopfen oder Klingeln wird als Missbrauch angesehen, und die beschränkte Verteiler-Garantie deckt keine durch Missbrauch beschädigten Teile ab.*

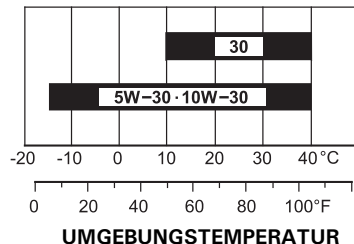
## MOTORÖL

Das Öl ist ein ausschlaggebender Faktor für die Leistung und Lebensdauer des Motors.

Verwenden Sie waschaktives Kraftfahrzeugöl für Viertaktmotoren, das für LPG-Motoren ausgelegt ist.

### Empfohlenes Öl

Verwenden Sie ein Motoröl für Viertaktmotoren, das die Anforderungen für API-Serviceklasse SE oder höher (bzw. gleichwertig) erfüllt oder überschreitet. Prüfen Sie stets das API-Service-Etikett am Ölbehälter, um sicherzugehen, dass es die Buchstaben SE oder die einer höheren Klasse (bzw. gleichwertig) enthält.

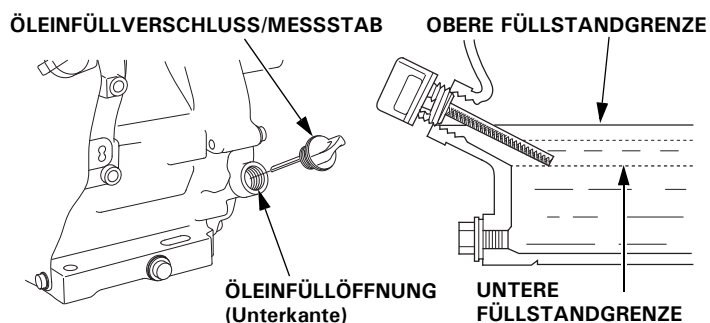


SAE 10W-30 wird für allgemeinen Gebrauch empfohlen. Andere in der Tabelle angegebene Viskositäten können verwendet werden, wenn die durchschnittliche Temperatur in Ihrem Gebiet innerhalb des angezeigten Bereichs liegt.

### Ölstandkontrolle

Den Motorölstand bei gestopptem und waagrecht stehendem Motor prüfen.

1. Den Öleinfüllverschluss/Messstab abnehmen und sauber wischen.
2. Den Öleinfüllverschluss/Messstab wie gezeigt in den Öleinfüllstutzen einführen, ohne ihn einzudrehen, und dann zum Prüfen des Ölstands herausnehmen.
3. Liegt der Ölstand in der Nähe oder unterhalb der unteren Grenzmarke am Ölmesstab, das empfohlene Öl bis zur oberen Grenzmarke (Unterkante der Öleinfüllöffnung) einfüllen. Nicht überfüllen.
4. Den Öleinfüllverschluss/Messstab wieder anbringen.



### ACHTUNG

*Betrieb des Motors mit niedrigem Ölstand kann Motorschäden verursachen. Diese Art Schäden sind von der Garantie nicht abgedeckt.*

Das Oil Alert-System (Typen mit entsprechender Ausstattung) stoppt den Motor automatisch, bevor der Ölstand unter das sichere Minimalniveau sinkt. Um jedoch die Unannehmlichkeit einer plötzlichen Abschaltung zu vermeiden, sollten Sie vor jedem Starten den Motorölstand überprüfen.

## Ölwechsel

Das Altöl bei warmem Motor ablassen. Warmes Öl läuft schnell und vollständig ab.

1. Zum Auffangen des Öls einen geeigneten Behälter unter den Motor stellen, dann Öleinfüllverschluss/Messstab, Ölablassschraube und Scheibe abnehmen.
  2. Das Öl vollständig ablaufen lassen, dann die Ölablassschraube mit einer neuen Scheibe wieder anbringen und die Schraube gut festziehen.
- Altes Motoröl ist umweltverträglich zu entsorgen. Wir empfehlen, Altöl in einem verschlossenen Behälter einem Recycling-Center oder einer Kundendienststelle zur Rückgewinnung zu übergeben. Altöl weder in den Abfall geben, noch in die Kanalisation, in einen Abfluss oder auf den Erdboden schütten.
3. Das empfohlene Öl bei waagrecht liegendem Motor bis zur oberen Grenzmarke (Unterkante der Öleinfüllöffnung) am Messstab einfüllen.

Motorölkapazität: GX200 : 0,60 L  
GX390 : 1,1 L

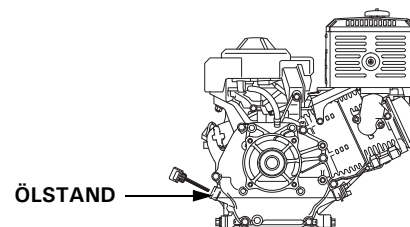
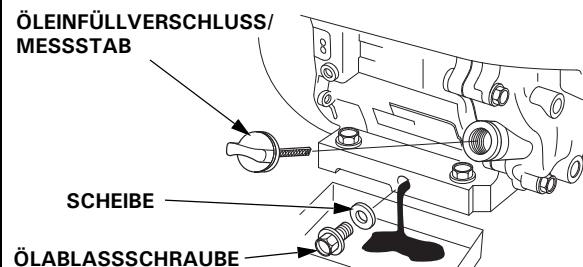
### ACHTUNG

*Betrieb des Motors mit niedrigem Ölstand kann Motorschäden verursachen. Diese Schadensart ist nicht durch die beschränkte Verteiler-Garantie abgedeckt.*

Das Oil Alert-System (Typen mit entsprechender Ausstattung) stoppt den Motor automatisch, bevor der Ölstand unter das sichere Minimalniveau sinkt. Um jedoch die Unannehmlichkeit einer plötzlichen Abschaltung zu vermeiden, ist Öl bis zur oberen Füllstandgrenze einzufüllen und der Ölstand regelmäßig zu kontrollieren.

4. Den Öleinfüllverschluss/Messstab wieder einsetzen und sicher anziehen.

### ÖLEINFÜLLVERSCHLUSS/ MESSSTAB



Nach jedem Kontakt mit gebrauchtem Öl die Hände gründlich mit Wasser und Seife waschen.

### ACHTUNG

*Altes Motoröl ist umweltverträglich zu entsorgen. Wir empfehlen, Altöl in einem verschlossenen Behälter einem Recycling-Center oder einer Kundendienststelle zur Rückgewinnung zu übergeben. Altöl weder in den Abfall geben, noch in die Kanalisation, in einen Abfluss oder auf den Erdboden schütten.*

## LUFTFILTER

Ein verschmutzter Luftfilter behindert den Luftstrom zum Mischer, wodurch die Motorleistung vermindert wird. Wird der Motor in sehr staubiger Umgebung betrieben, ist der Luftfilter häufiger als im WARTUNGSPLAN angegeben zu reinigen (siehe Seite 6).

### ACHTUNG

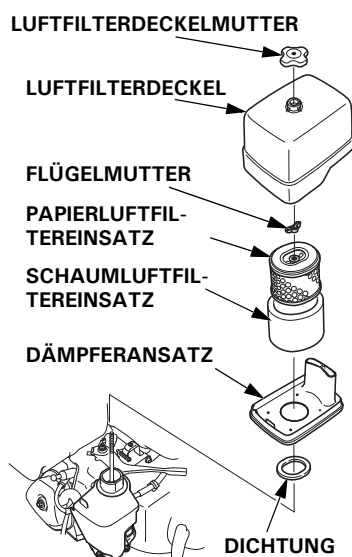
Den Motor ohne Luftfilter oder mit einem beschädigten Luftfilter laufen zu lassen, lässt Schmutz in den Motor gelangen und führt zu schnellem Motorverschleiß. Diese Schadensart ist nicht durch die beschränkte Verteiler-Garantie abgedeckt.

### Inspektion

Den Luftfilterdeckel abnehmen und die Filtereinsätze überprüfen. Einen schmutzigen Filtereinsatz reinigen oder auswechseln. Ein beschädigter Filtereinsatz ist stets auszuwechseln.

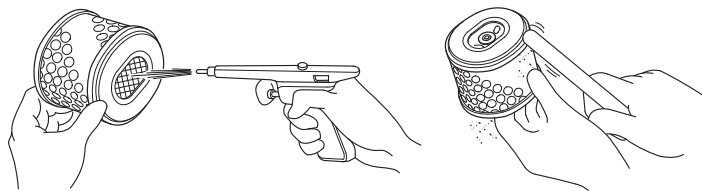
### Reinigung

1. Die Luftfilterdeckelmutter vom Luftfilterdeckel abschrauben, und den Deckel abnehmen.
2. Die Flügelmutter vom Luftfilter abschrauben, und den Filter abnehmen.
3. Den Schaumlufteinsatz vom Papierlufteinsatz abnehmen.
4. Beide Luftfiltereinsätze überprüfen und bei Beschädigung auswechseln. Der Papierlufteinsatz ist stets in den planmäßigen Intervallen auszuwechseln (siehe Seite 6).

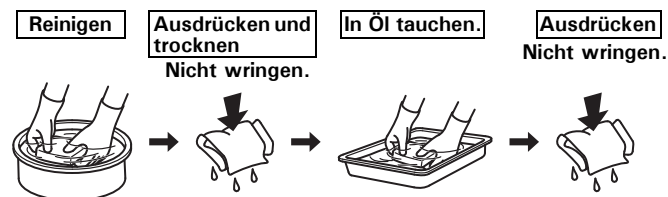


5. Bei Wiederverwendung die Luftfiltereinsätze reinigen.

Papierlufteinsatz: Den Filtereinsatz einige Male auf einer harten Oberfläche ausklopfen, um Schmutz zu beseitigen, oder Druckluft [nicht über 207 kPa (2,1 kgf/cm<sup>2</sup>)] von der Innenseite durch den Filtereinsatz blasen. Niemals versuchen, Schmutz abzubürsten, da er dadurch in die Fasern gedrückt wird.



Schaumlufteinsatz: In warmer Seifenlauge reinigen, spülen und gründlich trocknen lassen. Oder in nicht entflammbarem Lösungsmittel reinigen und dann trocknen lassen. Den Filtereinsatz in sauberes Motoröl tauchen, dann jegliches überschüssige Öl herausdrücken. Wenn zu viel Öl im Schaum verbleibt, raucht der Motor beim Starten.



6. Schmutz von der Innenseite des Luftfiltergehäuses und -deckels mit einem feuchten Lappen abwischen. Darauf achten, dass kein Schmutz in den zum Mischer führenden Luftkanal gelangt.
7. Den Schaumlufteinsatz auf den Papierlufteinsatz setzen, und den zusammengesetzten Luftfilter wieder einbauen. Darauf achten, dass die Dichtung unter dem Luftfilter angebracht ist. Die Flügelmutter sicher anziehen.
8. Den Luftfilterdeckel anbringen und die Mutter am Luftfilterdeckel sicher anziehen.



## ZÜNDKERZE

**Empfohlene Zündkerzen: GX200:BPR6ES-5 (NGK)  
GX390:BP6ES (NGK)**

Die empfohlene Zündkerze hat den korrekten Wärmewert für normale Motorbetriebstemperaturen.

### ACHTUNG

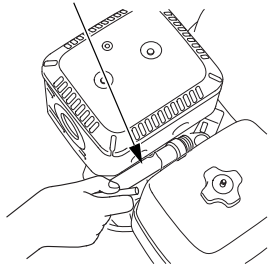
*Eine falsche Zündkerze kann Motorschaden verursachen.*

Einen noch heißen Motor vor dem Warten der Zündkerze zuerst abkühlen lassen.

Um gute Leistung zu liefern, muss die Zündkerze einen korrekten Elektrodenabstand haben und frei von Ablagerungen sein.

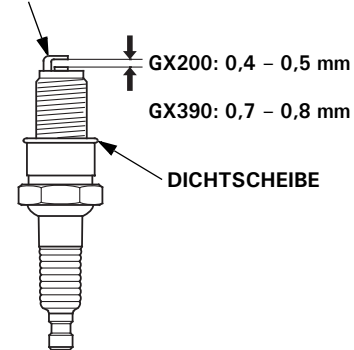
1. Den Zündkerzenstecker abtrennen und jeglichen Schmutz im Zündkerzenbereich beseitigen.
2. Die Zündkerze mit einem Zündkerzenschlüssel ausbauen.
3. Die Zündkerze überprüfen. Die Zündkerze auswechseln, wenn sie beschädigt oder stark verschmutzt ist, wenn sich die Dichtscheibe in schlechtem Zustand befindet bzw. die Elektroden abgenutzt sind.

### ZÜNDKERZENSCHLÜSSEL



4. Den Elektrodenabstand der Zündkerze mit einer Drahtfühlerlehre messen. Den Elektrodenabstand erforderlichenfalls durch vorsichtiges Biegen der Seitenelektrode korrigieren. Sollelektrodenabstand:  
GX200: 0,4 – 0,5 mm  
  
GX390: 0,7 – 0,8 mm
5. Die Zündkerze vorsichtig von Hand eindrehen, um Ausreißen des Gewindes zu vermeiden.
6. Die Zündkerze nach dem Aufsitzen mit einem Zündkerzenschlüssel festziehen, um die Dichtungsscheibe zusammenzudrücken.

### SEITENELEKTRODE



GX200: 0,4 – 0,5 mm

GX390: 0,7 – 0,8 mm

### DICHTSCHEIBE

Eine neue Zündkerze ist nach dem Aufsitzen noch um eine weitere 1/2 Drehung festzuziehen, um die Scheibe zusammenzudrücken.

Eine gebrauchte Zündkerze ist nach dem Aufsitzen noch um 1/8 bis 1/4 Drehung festzuziehen, um die Scheibe zusammenzudrücken.

**ANZUGSDREHMOMENT:** 18 N·m (1,8 kgf·m)

### ACHTUNG

*Eine lockere Zündkerze kann sich überhitzen und den Motor beschädigen.*

*Durch Überziehen der Zündkerze kann das Gewinde im Zylinderkopf beschädigt werden.*

7. Den Zündkerzenstecker auf die Zündkerze aufsetzen.

## LEERLAUFDREHZAHL

### Einstellung

1. Den Motor im Freien starten und bis zum Erreichen der Betriebstemperatur warmlaufen lassen.
2. Den Gashebel auf die Minimalposition stellen.
3. Die Drosselanschlagschraube drehen, um die Solleerlaufdrehzahl zu erhalten.



### DROSSELANSCHLAGSCHRAUBE

Solleerlaufdrehzahl: GX200 : 1.400 + 200 min<sup>-1</sup>(U/min)  
- 150 min<sup>-1</sup>(U/min)  
GX390 : 1.400 ± 150 min<sup>-1</sup>(U/min)

## NÜTZLICHE TIPPS UND EMPFEHLUNGEN

### LAGERN DES MOTORS

#### Lagerungsvorbereitung

Motor ausschalten und LPG-Zufuhrventil schließen. Bei Modellen für den indonesischen Markt vor Abtrennen des Schlauches den Niederdruckregler entlüften.

Eine sachgemäße Lagerungsvorbereitung ist ausschlaggebend, um störungsfreien Betrieb und gutes Aussehen des Motors aufrechtzuerhalten. Die folgenden Schritte verhindern, dass Funktion und Erscheinung des Motors durch Rost und Korrosion beeinträchtigt werden, und erleichtern das Starten des Motors bei der Wiederinbetriebnahme.

#### Reinigung

Wenn der Motor in Betrieb war, lassen Sie ihn mindestens eine halbe Stunde lang abkühlen, bevor Sie mit der Reinigung beginnen. Alle Außenflächen reinigen, Lackschäden ausbessern und rostanfällige Teile mit einem dünnen Ölfilm überziehen.

#### ACHTUNG

*Durch Abspritzen mit einem Gartenschlauch oder Waschen in einer Druckwaschanlage kann Wasser in die Luftfilter- oder Auspufftopföffnung eindringen. Falls Wasser im Luftfilter vorhanden ist, saugt sich der Filtereinsatz voll, und Wasser, das in den Luftfilter oder Auspufftopf eindringt, kann in den Zylinder gelangen und Schäden verursachen.*

#### Motoröl

1. Das Motoröl wechseln (siehe Seite 7).

#### Motorzylinder

1. Die Zündkerze ausbauen.
2. Einen Teelöffel (5-10 cm<sup>3</sup>) sauberes Motoröl in den Zylinder gießen.
3. Den Startgriff einige Male ziehen, um das Öl im Zylinder zu verteilen.
4. Die Zündkerze wieder eindrehen.
5. Den Startgriff langsam ziehen, bis Widerstand zu spüren ist. Dadurch werden die Ventile geschlossen, sodass keine Feuchtigkeit in den Zylinder des Motors gelangen kann. Den Startgriff sachte zurückführen.
6. Den Motor abdecken, um Staub fern zu halten.

#### Lagerungsvorkehrungen

Wählen Sie einen gut belüfteten Lagerraum fern von Geräten, die mit Flammen arbeiten, wie z. B. Brennofen, Wasserboiler oder Wäschetrockner. Vermeiden Sie auch Bereiche, in denen ein Funken erzeugender Elektromotor betrieben oder Elektrowerkzeuge benutzt werden.

Vermeiden Sie nach Möglichkeit Lagerräume mit hoher Luftfeuchtigkeit, weil diese Rost und Korrosion begünstigt.

Den Motor während der Lagerung waagrecht halten. Neigen kann Auslaufen von Öl verursachen.

Den Motor zum Schutz vor Staub abdecken, nachdem Motor und Auspuffanlage abgekühlt sind. Wenn Motor und Auspuffanlage heiß sind, können bestimmte Materialien sich entzünden oder schmelzen. Keine Plastikfolie als Staubschutz verwenden.

Eine undurchlässige Abdeckung schließt Feuchtigkeit um den Motor ein, und begünstigt damit Rost und Korrosion.

#### Wiederinbetriebnahme

Überprüfen Sie den Motor gemäß der Beschreibung im Abschnitt **KONTROLLEN VOR DEM BETRIEB** dieses Handbuchs (siehe Seite 3).

Wenn der Zylinder während der Lagerungsvorbereitung mit einem Ölfilm überzogen wurde, raucht der Motor beim Starten kurzzeitig. Dies ist normal.

#### TRANSPORT

Wenn der Motor in Betrieb war, muss man ihn mindestens 15 Minuten lang abkühlen lassen, bevor man die motorgetriebene Ausrüstung auf das Transportfahrzeug lädt. Wenn Motor und Auspuffanlage heiß sind, kann man sich verbrennen, und entzündliche Materialien in der näheren Umgebung können Feuer fangen.

Vor Transport des Motors muss der LPG-Schlauch abgetrennt werden. Trennen Sie den LPG-Schlauch ab.

## BEHEBUNG UNERWARTETER PROBLEME

### MOTOR SPRINGT NICHT AN

Mögliche Ursache	Korrektur
Motorschalter AUS.	Den Motorschalter in Stellung EIN bringen.
Kraftstoffmangel.	Nachtanken (S. 6).
Niedriger Motorölstand (Modelle mit Ölwarnsystem).	Das empfohlene Öl bis zum vorgeschriebenen Stand einfüllen (S. 7).
Zündkerze defekt oder verschmutzt oder falscher Elektrodenabstand.	Elektrodenabstand einstellen oder die Zündkerze austauschen (S. 9).
Mischerstörung, Zündungsstörung, festsitzende Ventile usw.	Den Motor zum Kundendienst bringen oder das Werkstatthandbuch hinzuziehen.

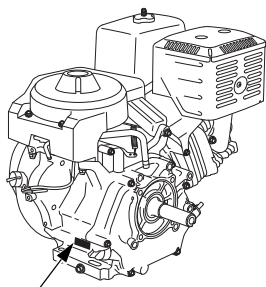
### MOTORLEISTUNGSMANGEL

Mögliche Ursache	Korrektur
Filtereinsätze verstopft	Schmutzigen Filtereinsatz reinigen oder austauschen (S. 8).
Kraftstoffqualität oder -druck zu niedrig.	Zuverlässige LPG-Quelle verwenden.
Mischerstörung, Zündungsstörung, festsitzende Ventile usw.	Den Motor zum Kundendienst bringen oder das Werkstatthandbuch hinzuziehen.

## TECHNISCHE INFORMATION

### Position der Seriennummer

Tragen Sie bitte die Motorseriennummer unten ein. Sie benötigen diese Information zur Bestellung von Ersatzteilen, bei technischen Fragen und bei Nachfragen zur Garantie.



POSITION DER SERIENNUMMER UND POSITION, ANGABEN ZUM MOTORTYP

Motorseriennummer: \_\_\_\_\_

Motortyp: \_\_\_\_\_

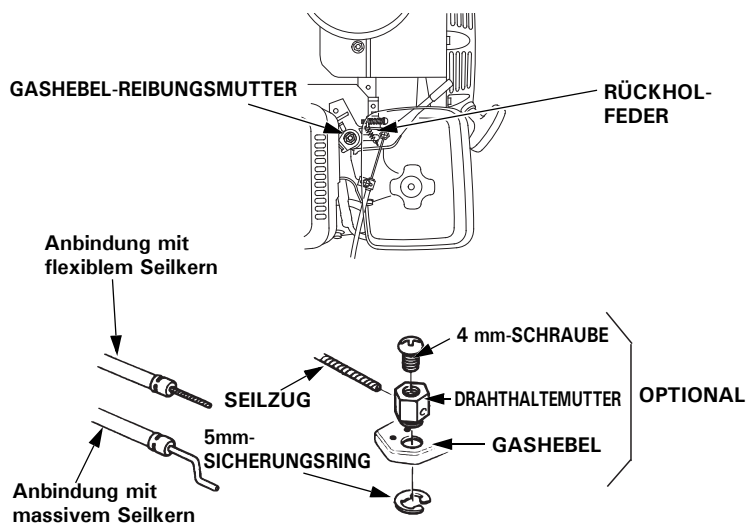
Kaufdatum: \_\_\_\_ / \_\_\_\_ / \_\_\_\_

### Fernsteuergestänge

Der Gashebel ist mit einem Loch für optionale Seilzugbefestigung versehen. Die folgenden Abbildungen zeigen ein Installationsbeispiel für einen Volldrahtzug und einen flexiblen Flechtdrahtzug. Bei Verwendung eines flexiblen Flechtdrahtzugs ist eine Rückholfeder anzubringen, wie gezeigt.

Bei Betätigung der Drosselklappe über fernmontierte Steuerung muss die Gashebel-Reibungsmutter gelöst werden.

### FERNBEDIENMECHANIK FÜR GAS



### Betrieb in großen Höhen

Der LPG-Motor erfordert für den Betrieb in großen Höhen keinen Umbau. Allerdings nimmt die Leistung und PS-Zahl in großen Höhen ab.

### Technische Daten

#### GX200 (Ausführung Q mit Zapfwelle)

Länge x Breite x Höhe	321 × 376 × 335 mm
Trockenmasse [Gewicht]	16,0 kg
Motortyp	4-Takt, OHV (hängendes Ventil), Einzylinder
Hubraum [Bohrung × Hub]	196 cm <sup>3</sup> [68,0 × 54,0 mm]
Nettoleistung (nach SAE J1349*)	4,1 kW (5,6 PS)/3.600 min <sup>-1</sup> (U/min)
Max. Nettodrehmoment (nach SAE J1349*)	12,4 N·m (1,26 kgf·m)/ 2.500 min <sup>-1</sup> (U/min)
Motorölkapazität	0,60 L
Kühlsystem	Gebläsekühlung
Zündsystem	Transistor-Magnetzündung
Drehrichtung der Zapfwelle	Gegen den Uhrzeigersinn

#### GX390 (Ausführung Q mit Zapfwelle)

Länge x Breite x Höhe	406 × 460 × 448 mm
Trockenmasse [Gewicht]	30,7 kg
Motortyp	4-Takt, OHV (hängendes Ventil), Einzylinder
Hubraum [Bohrung × Hub]	389 cm <sup>3</sup> [88,0 × 64,0 mm]
Nettoleistung (nach SAE J1349*)	7,9 kW (10,7 PS)/3.600 min <sup>-1</sup> (U/min)
Max. Nettodrehmoment (nach SAE J1349*)	24,0 N·m (2,45 kgf·m)/ 2.500 min <sup>-1</sup> (U/min)
Motorölkapazität	1,1 L
Kühlsystem	Gebläsekühlung
Zündsystem	CDI-Magnetzündung
Drehrichtung der Zapfwelle	Gegen den Uhrzeigersinn

\* Die Nennleistung des in diesem Dokument angegebenen Motors ist die Nettoleistung, die an einem Produktionsmotor für das Motormodell getestet und gemäß SAE J1349 bei 3.600 min<sup>-1</sup>(U/min) (Nettoleistung) und bei 2.500 min<sup>-1</sup>(U/min) (Max. Nettodrehmoment) gemessen wurde. Massenproduktionsmotoren können von diesem Wert abweichen. Die tatsächliche Leistungsabgabe des im Endprodukt verbauten Motors ist von zahlreichen Faktoren wie Betriebsdrehzahl des Motors in der Anwendung, Umweltbedingungen, Wartung und anderen Variablen abhängig.

### Abstimmspezifikationen

#### GX200

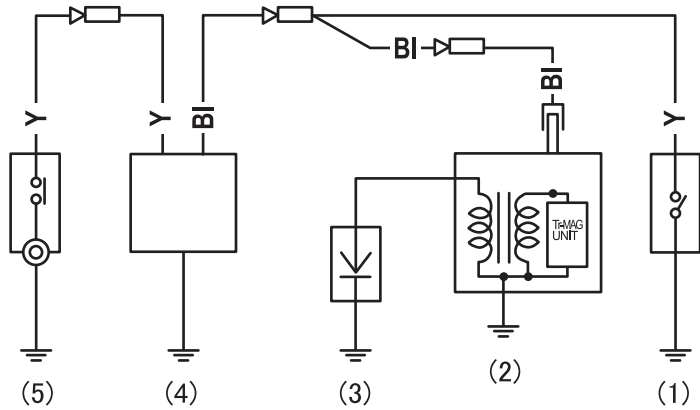
POSITION	SPEZIFIKATION	WARTUNG
Elektrodenabstand	0,4 – 0,5 mm	Siehe Seite: 9
Leerlaufdrehzahl	1.400 +200 min <sup>-1</sup> (U/min) -150 min <sup>-1</sup> (U/min)	
Ventilspiel (kalt)	EIN: 0,15 ± 0,02 mm AUS: 0,20 ± 0,02 mm	Wenden Sie sich an Ihren autorisierten Honda-Händler
Sonstige Daten	Keine weiteren Einstellungen erforderlich.	

#### GX390

POSITION	SPEZIFIKATION	WARTUNG
Elektrodenabstand	0,7 – 0,8 mm	Siehe Seite: 9
Leerlaufdrehzahl	1.400 ± 150 min <sup>-1</sup> (U/min)	
Ventilspiel (kalt)	EIN: 0,15 ± 0,02 mm AUS: 0,20 ± 0,02 mm	Wenden Sie sich an Ihren autorisierten Honda-Händler
Sonstige Daten	Keine weiteren Einstellungen erforderlich.	

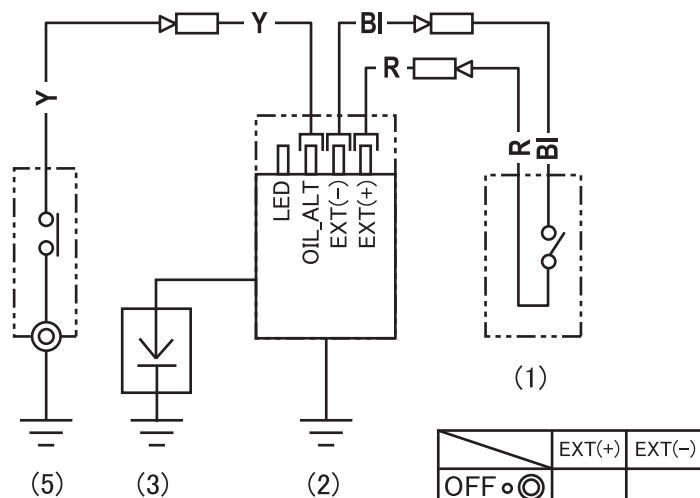
**Schaltschemata**

**GX200**



	IGN	EARTH
OFF ●	○	○
ON ○	□	

**GX390**



	EXT(+)	EXT(-)
OFF ●	○	○
ON ○	□	□

- (1) MOTORSCHALTER
- (2) ZÜNDSPULE
- (3) ZÜNDKERZE
- (4) ÖLWARNEINHEIT
- (5) ÖLSTANDSCHALTER

BI	Schwarz
Y	Gelb
R	Rot

**VERBRAUCHERINFORMATION**

**VERTRIEB-/HÄNDLERSUCHINFORMATION**

Besuchen Sie unsere Website: <http://www.honda-engines-eu.com>

**KUNDENDIENSTINFORMATION**

Das Wartungshändlerpersonal besteht aus geschulten Fachkräften. Sie können kompetente Antworten auf alle Ihre Fragen erwarten. Falls Sie ein Problem haben, das bei Ihrem Händler nicht zufrieden stellend gelöst wird, diskutieren Sie es bitte mit dem Management des Betriebs. Der Wartungsmanager, Geschäftsführer oder Besitzer kann helfen. Fast alle Probleme können so gelöst werden.

Falls Sie mit der vom Management des Händlerbetriebs getroffenen Entscheidung nicht zufrieden sind, wenden Sie sich an die Honda-Geschäftsstelle, wie angegeben.

**< Honda-Geschäftsstelle >**

Wenn Sie schreiben oder anrufen, geben Sie bitte diese Informationen an:

- Name des Ausrüstungsherstellers und Modellnummer der Ausrüstung, an der der Motor montiert ist
- Motormodell, Seriennummer und Typ (siehe Seite 11)
- Name des Händlers, bei dem Sie den Motor gekauft haben
- Name, Adresse und Kontaktperson des Händlers, der Ihren Motor wartet
- Kaufdatum
- Ihr Name, Ihre Adresse und Ihre Telefonnummer
- Ausführliche Beschreibung des Problems

**Honda Motor Europe Logistics NV.**  
European Engine Center

<http://www.honda-engines-eu.com>

Lassen Sie sich bitte vom in Ihrem Gebiet zuständigen Honda-Vertriebshändler beraten.

**HONDA**

## INTRODUCCIÓN

Muchas gracias por la adquisición de un motor Honda. Nos gustaría ayudarle a obtener los mejores resultados con su nuevo motor y a operarlo con seguridad. Este manual contiene información para ello; léalo detenidamente antes de poner en funcionamiento el motor. En el caso de producirse algún problema, o si tuviese alguna pregunta acerca de su motor, póngase en contacto con un concesionario de servicio.

Toda la información de esta publicación se basa en la información más reciente disponible en el momento de la impresión. Honda Motor Co., Ltd. se reserva el derecho a efectuar cambios en cualquier momento sin previo aviso y sin incurrir en ningún tipo de obligación. Ninguna parte de este manual puede reproducirse sin permiso por escrito.


Este manual debe considerarse como una parte permanente del motor y debe permanecer con el motor en caso de reventa.

Le aconsejamos que lea el contrato de garantía para que comprenda su alcance y sus responsabilidades de propiedad.

Revise las instrucciones suministradas con el equipo que funcionará con este motor para encontrar información adicional sobre la puesta en marcha del motor, parada, operación, ajustes, o instrucciones especiales para el mantenimiento.

## MENSAJES DE SEGURIDAD

Su seguridad y la de los demás son muy importantes. Hemos incluido mensajes de seguridad importantes en este manual y en el motor. Lea detenidamente estos mensajes.

Un mensaje de seguridad le avisa sobre los peligros potenciales que podrían causarle lesiones a usted y a los demás. Cada mensaje de seguridad viene precedido por un símbolo de alerta de seguridad  y una de las tres palabras, PELIGRO, ADVERTENCIA o PRECAUCIÓN.

Estas palabras de indicación significan:

### PELIGRO

MUERTE o LESIONES GRAVES SEGURAS en caso de no seguir las instrucciones.

### ADVERTENCIA

POSIBILIDAD de MUERTE o de LESIONES GRAVES en caso de no seguir las instrucciones.

### PRECAUCIÓN

POSIBILIDAD de LESIONES en caso de no seguir las instrucciones.

Cada mensaje le explica en qué consiste el peligro, lo que puede suceder, y lo que usted debe hacer para evitar las heridas o para reducirlas.

## MENSAJES PARA PREVENCIÓN DE DAÑOS

Encontrará también otros mensajes importantes que vienen precedidos por la palabra AVISO.

Esta palabra significa:

### AVISO

Pueden producirse daños en el motor o en la propiedad de terceras personas si no sigue las instrucciones.

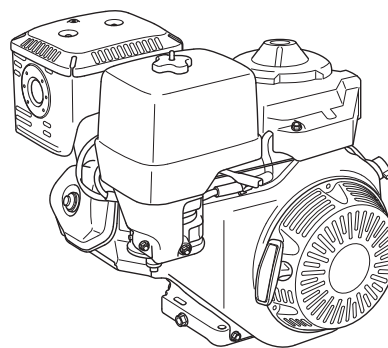
El propósito de estos mensajes es el de ayudar a evitar daños en el motor, en la propiedad de terceras personas, o en medio ambiente.

# HONDA

## MANUAL DEL PROPIETARIO

### GX200 • GX390

## Motor impulsado por GLP



Las ilustraciones mostradas se basan principalmente en: TDF de eje tipo Q.

- La ilustración puede variar de acuerdo con el tipo.

## CONTENIDO

INTRODUCCIÓN.....	1	FILTRO DE AIRE .....	8
MENSAJES DE SEGURIDAD .....	1	Inspección .....	8
INFORMACIÓN DE SEGURIDAD .....	2	Limpieza .....	8
SITUACIÓN DE LAS ETIQUETAS DE SEGURIDAD .....	2	BUJÍA .....	9
SITUACIONES DE LOS COMPONENTES Y CONTROLES.....	2	VELOCIDAD DE RALENTÍ... 9	9
CARACTERÍSTICAS.....	2	SUGERENCIAS Y OBSERVACIONES DE UTILIDAD .....	10
CARACTERÍSTICAS.....	3	ALMACENAJE DEL MOTOR .....	10
COMPROBACIONES PREVIAS A LA OPERACIÓN .....	3	TRANSPORTE .....	10
FUNCIONAMIENTO .....	4	CUIDADOS PARA PROBLEMAS INESPERADOS .....	10
DE SEGURIDAD DURANTE LA OPERACIÓN .....	4	INFORMACIÓN TÉCNICA... 11	11
ARRANQUE DEL MOTOR ...	4	Situación del número de serie.....	11
PARADA DEL MOTOR .....	5	Enlace de control remoto... 11	11
AJUSTE DE LA VELOCIDAD DEL MOTOR .....	5	Operación a gran altitud... 11	11
SERVICIO DE SU MOTOR.....	6	Especificaciones .....	11
LA IMPORTANCIA DEL MANTENIMIENTO .....	6	Especificaciones de reglaje .....	11
SEGURIDAD DEL MANTENIMIENTO .....	6	Diagramas de conexiones... 12	12
PRECAUCIONES DE SEGURIDAD .....	6	INFORMACIÓN DEL CONSUMIDOR .....	12
PROGRAMA DE MANTENIMIENTO .....	6	INFORMACIÓN PARA ENCONTRAR DISTRIBUIDORES/ CONCESIONARIOS .....	12
REPOSTAJE .....	6	INFORMACIÓN DE SERVICIO PARA CLIENTES .....	12
ACEITE DE MOTOR .....	7		
Aceite recomendado .....	7		
Comprobación del nivel de aceite.....	7		
Cambio del aceite .....	7		

ESPAÑOL

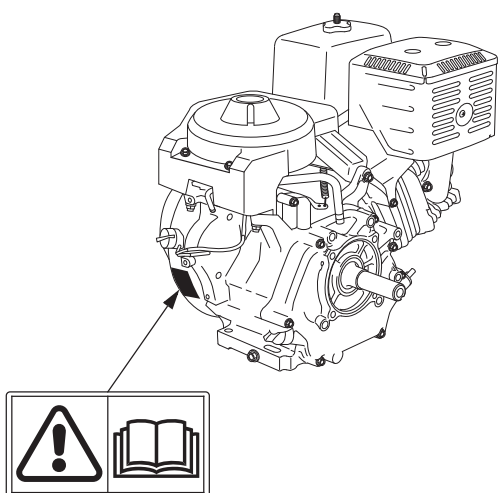
## INFORMACIÓN DE SEGURIDAD

- Comprenda el funcionamiento de todos los controles y aprenda a parar con rapidez el motor en un caso de emergencia. Asegúrese de que el operador haya recibido una instrucción adecuada antes de operar el equipo.
- No permita que los niños operen el motor. Mantenga a los niños y animales apartados del lugar de operación.
- Los gases de escape del motor contienen monóxido de carbono que es venenoso.  
No ponga en marcha el motor si no hay una ventilación adecuada, y no ponga nunca en marcha el motor en un lugar cerrado.
- El motor y el sistema de escape se calientan mucho durante la operación.  
Durante su funcionamiento, mantenga el motor al menos a un metro de distancia de los edificios y de otros equipos. Mantenga apartados los materiales inflamables, y no ponga nada sobre el motor mientras esté en marcha.
- El GLP es extremadamente inflamable y combustible. Reposte al aire libre, en un lugar bien ventilado con el motor parado. No fume nunca cerca del GLP y mantenga apartados el fuego y las chispas.

## SITUACIÓN DE LAS ETIQUETAS DE SEGURIDAD

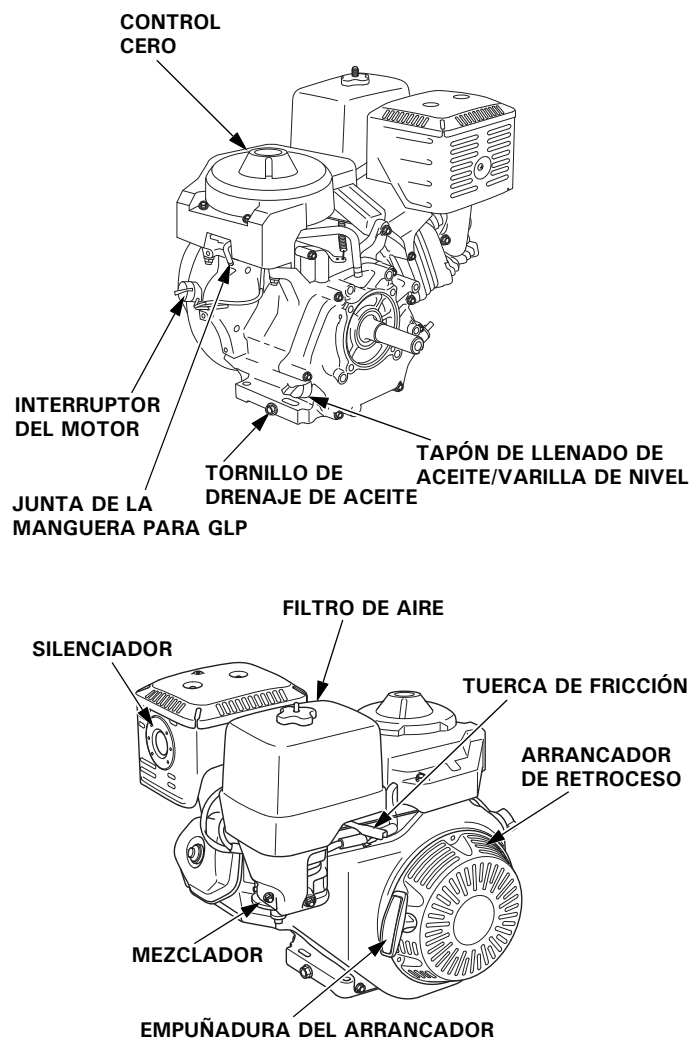
Esta etiqueta le avisa sobre peligros potenciales que pueden ocasionar heridas graves. Léala con atención.

Si la etiqueta se despegó o si resulta difícil de leer, solicite su reemplazo a su concesionario de servicio Honda.



Lea el Manual del propietario antes de la operación.

## SITUACIONES DE LOS COMPONENTES Y CONTROLES



## CARACTERÍSTICAS

### SISTEMA DE ALERTA DEL ACEITE (tipos aplicables)

El sistema de alerta de aceite Oil Alert está diseñado para evitar daños en el motor causados por una cantidad insuficiente de aceite en el cárter. Antes de que el nivel de aceite del cárter pueda caer por debajo de un límite de seguridad, el sistema de alerta de aceite Oil Alert hará sonar un zumbador, para avisarle que debe añadirse aceite al motor.

Si el motor se para y no vuelve a arrancar, compruebe el nivel del aceite de motor, (vea la página 7) antes de realizar la localización y reparación de averías en otras partes.

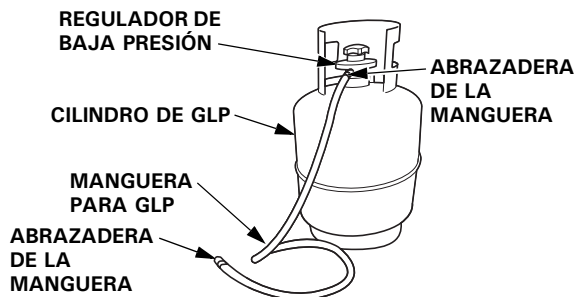
## CARACTERÍSTICAS

### Sistema de combustible

Este motor usa GLP.

Debe preparar un cilindro de GLP, un regulador de baja presión, una manguera para GLP y dos abrazaderas de manguera porque estos elementos no están incluidos con este motor. Utilice siempre piezas adecuadas para su uso con GLP.

Además, estos elementos no están cubiertos por la garantía de Honda, por lo que es su responsabilidad realizar las conexiones con motor y su mantenimiento.

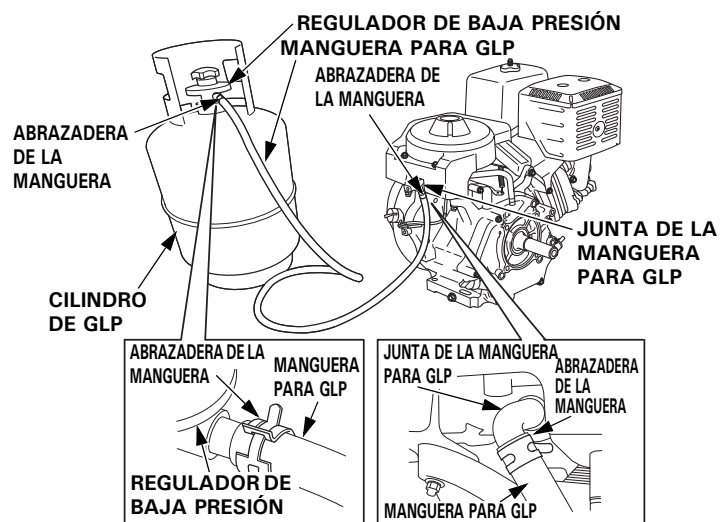


- Use una manguera para GLP con un diámetro interno de 10 mm.
- Use una manguera para GLP con una longitud máxima de 5 m entre el regulador de baja presión y el motor.
- Al manipular la manguera para GLP, manténgala alejada de los bordes y de las piezas calientes.
- Use un regulador de baja presión que cumpla con las siguientes especificaciones estándar y de rendimiento.

Estándar	Basado en EN 16129
Caudal de gas	1,2 kg/h como mínimo (GX200) 3,4 kg/h como mínimo (GX390)
Válvula limitadora de caudal *	ninguna

\* La válvula limitadora de caudal puede describirse como un "sistema de seguridad" en el Catálogo del regulador, etc.

- Use una manguera para GLP y unas abrazaderas de manguera adecuadas para GLP.
- Conecte la manguera para GLP al regulador de baja presión del cilindro de GLP y la junta de la manguera para GLP al motor.
- Cuando coloque la manguera para GLP, utilice siempre clips para sujetarla.



- Mantenga el motor y el cilindro de GLP lo más separados posible.
- Use el cilindro de GLP en posición vertical.
- Después de conectar el motor y el cilindro de GLP con la manguera para GLP, aplique agua jabonosa y compruebe que no haya fugas de gas.

## COMPROBACIONES PREVIAS A LA OPERACIÓN

### ¿ESTÁ PREPARADO EL MOTOR PARA FUNCIONAR?

Por su propia seguridad, y para maximizar la vida de servicio de su equipo, es muy importante emplear un poco de tiempo para comprobar el estado del motor antes de ponerlo en funcionamiento. Antes de poner en marcha el motor, deberá asegurarse de haber solucionado cualquier problema encontrado, o de solicitar a su concesionario de servicio que lo solucione.

### ⚠ ADVERTENCIA

Si no se realiza un mantenimiento correcto de este motor, o si no se corrige un problema antes de la operación, se puede producir una avería importante.

Algunos funcionamientos incorrectos pueden provocar lesiones graves o incluso la muerte.

Efectúe siempre la inspección previa a la operación antes de cada operación, y solucione los problemas encontrados.

Antes de comenzar las comprobaciones previas a la operación, asegúrese de que el motor esté nivelado y que el interruptor del motor esté en la posición OFF.

Compruebe siempre los elementos siguientes antes de poner en marcha el motor:

#### Conexión del gas combustible

Debe conectar la manguera para GLP a este motor.

#### Comprobación de daños en la manguera para GLP y de fugas de gas combustible

Aplique la solución jabonosa a la junta de la manguera para GLP y compruebe que no haya fugas de gas combustible.

Compruebe que la manguera para GLP no esté dañada.

Si la manguera para GLP está dañada o se observa alguna fuga de gas, deje de utilizar el motor. Tome medidas para arreglar la conexión o sustituya las piezas y compruebe que no haya fugas de gas antes de arrancar el motor.

#### Comprobación del estado general del motor

Antes de cada utilización, mire en torno al motor y debajo del mismo para ver si hay indicios de fugas de aceite.

1. Extraiga el polvo o la suciedad excesiva, especialmente en torno al silenciador y al arrancador de retroceso.
2. Busque si hay indicios de daños.
3. Compruebe que todos los protectores y cubiertas estén en su lugar, y que todas las tuercas, pernos, y tornillos estén apretados.

#### Comprobación del motor

Antes de cada utilización, mire en torno al motor y debajo del mismo para ver si hay indicios de fugas de aceite.

1. Compruebe el nivel del aceite de motor (vea la página 7). El motor puede dañarse si se utiliza con un nivel bajo de aceite.

El sistema de alerta de aceite Oil Alert (tipos aplicables) parará automáticamente el motor antes de que el nivel de aceite caiga por debajo de los límites de seguridad. Sin embargo, para evitar la inconveniencia de una parada inesperada, compruebe siempre el nivel de aceite de motor antes de empezar.

2. Compruebe el elemento del filtro de aire (vea la página 8). Un elemento del filtro de aire sucio restringirá el flujo de aire al mezclador, reduciendo el rendimiento del motor.
3. Compruebe el equipo que deba funcionar con este motor.

Revise las instrucciones proporcionadas con el equipo que deba funcionar con este motor para ver si hay precauciones y procedimientos que deban seguirse antes de poner en marcha el motor.

## FUNCIONAMIENTO

### DE SEGURIDAD DURANTE LA OPERACIÓN

Antes de poner en marcha el motor por primera vez, revise la sección *INFORMACIÓN DE SEGURIDAD* en la página 2 y la sección *COMPROBACIONES PREVIAS A LA OPERACIÓN* en la página 3.

Por su propia seguridad, no opere el motor en lugares cerrados como por ejemplo dentro de un garaje. Los gases de escape del motor contienen monóxido de carbono que es un gas que se acumula con rapidez en lugares cerrados y que causa mal estar o incluso la muerte.

### ⚠ ADVERTENCIA

Los gases de escape contienen gas monóxido de carbono tóxico que se puede acumular hasta niveles peligrosos en áreas cerradas.

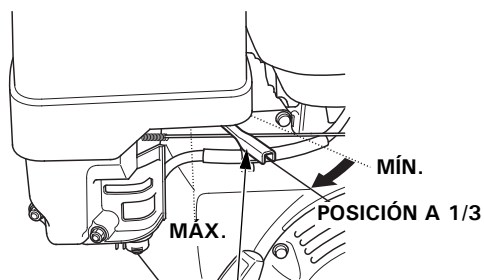
Respirar monóxido de carbono puede provocar pérdida de la consciencia y la muerte.

No ponga nunca en marcha el motor en un lugar cerrado ni parcialmente cerrado.

Revise las instrucciones proporcionadas con el equipo que deba funcionar con este motor para ver si hay precauciones de seguridad que deban observarse para poner en marcha, parar, u operar el motor.

### ARRANQUE DEL MOTOR

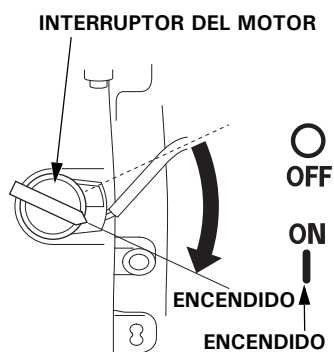
1. Comience a suministrar gas.
2. Aleje la palanca del acelerador de la posición MIN., moviéndola aproximadamente 1/3 parte del recorrido hacia la posición MAX.



TUERCA DE FRICCIÓN

Algunas aplicaciones del motor emplean un control del acelerador montado a distancia en lugar de la palanca del acelerador montada en el motor aquí mostrada. Consulte las instrucciones suministradas por el fabricante del equipo.

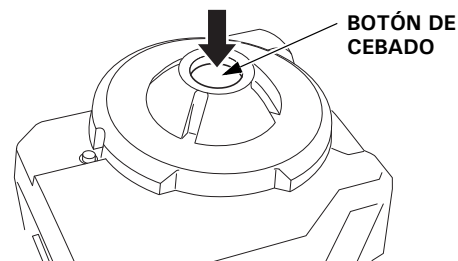
3. Gire el interruptor del motor a la posición ENCENDIDO.



INTERRUPTOR DEL MOTOR

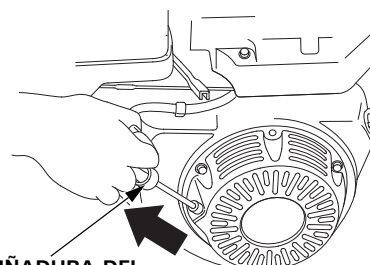
4. Si arranca el motor por primera vez después de conectar la manguera para GLP, o si han pasado dos días o más desde la última vez que utilizó el motor, pulse una vez el botón de cebado (durante aproximadamente un segundo).

Si pulsa el botón de cebado durante demasiado tiempo, puede arrancar realizando varias veces la operación de arranque por retroceso.



5. Opere el arrancador.

Tire ligeramente de la empuñadura del arrancador hasta notar resistencia, y entonces tire con fuerza en la dirección de la flecha como se muestra abajo. Deje que la empuñadura del arrancador retorne con suavidad.



EMPUÑADURA DEL ARRANCADOR Dirección para tirar

### AVISO

No permita que la empuñadura del arrancador retroceda con fuerza contra el motor. Haga que retorne con suavidad para evitar daños en el arrancador.

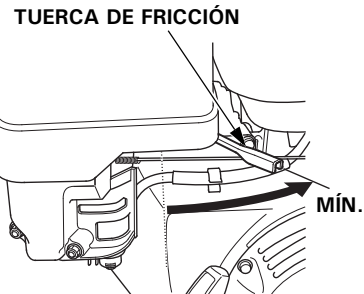


### PARADA DEL MOTOR

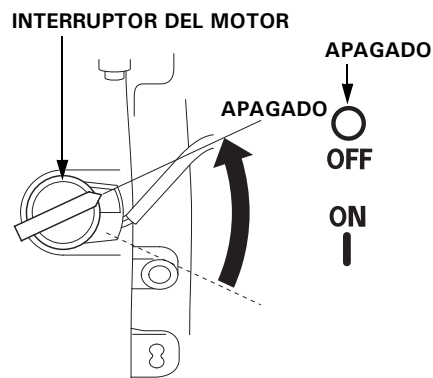
Para parar el motor en un caso de emergencia, simplemente gire el interruptor del motor a la posición OFF. En situaciones normales, emplee el procedimiento siguiente. Consulte las instrucciones suministradas por el fabricante del equipo.

1. Mueva la palanca del acelerador a la posición MIN.

Algunas aplicaciones del motor emplean un control del acelerador montado a distancia en lugar de la palanca del acelerador montada en el motor aquí mostrada.



2. Gire el interruptor del motor a la posición OFF.



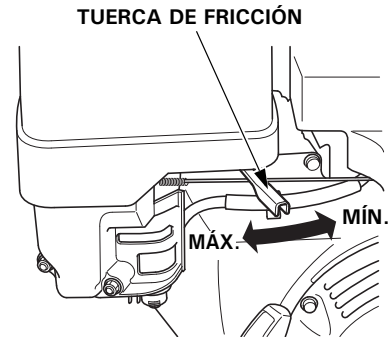
3. Interrumpa el suministro de gas.

### AJUSTE DE LA VELOCIDAD DEL MOTOR

Ajuste la palanca del acelerador a la velocidad deseada del motor.

Algunas aplicaciones del motor emplean un control del acelerador montado a distancia en lugar de la palanca del acelerador montada en el motor aquí mostrada. Consulte las instrucciones suministradas por el fabricante del equipo.

Para ver las recomendaciones de la velocidad del motor, consulte el manual de instrucciones suministrado con el equipo que deba funcionar con este motor.



## SERVICIO DE SU MOTOR

### LA IMPORTANCIA DEL MANTENIMIENTO

El buen mantenimiento es esencial para conseguir un funcionamiento seguro, económico y exento de problemas. Ayudará también a reducir la contaminación.

#### ⚠ ADVERTENCIA

Si no se realiza un mantenimiento correcto de este motor, o si no se corrige un problema antes de la operación, se puede producir una avería importante.

Algunos funcionamientos incorrectos pueden provocar lesiones graves o incluso la muerte.

Siga siempre las recomendaciones de inspección y mantenimiento y los programas de este manual del propietario.

Para ayudarle a cuidar adecuadamente el motor, las páginas siguientes incluyen un programa de mantenimiento, procedimientos de inspección rutinarios, y simple procedimientos de mantenimiento empleando herramientas manuales básicas. Las otras tareas de servicio que son más difíciles, o que requieren herramientas especiales, es mejor que sean realizadas por profesionales y normalmente las lleva a cabo un mecánico de Honda u otro mecánico cualificado.

El programa de mantenimiento se aplica a las condiciones normales de operación. Si opera el motor en condiciones severas, tales como con una carga elevada continua o a altas temperaturas, o si lo utiliza en condiciones con mucha humedad o polvo, consulte a su concesionario de servicio para que le proporcione las recomendaciones aplicables a sus necesidades y aplicaciones individuales.

**Emplee solamente partes originales Honda Genuine o sus equivalentes. La utilización de piezas de recambio que no sean de una calidad equivalente podría dañar el motor.**

### SEGURIDAD DEL MANTENIMIENTO

A continuación se mencionan algunas de las precauciones de seguridad más importantes. No obstante, no podemos avisarle sobre todos los peligros concebibles que pueden surgir al realizar el mantenimiento. Solamente usted puede decidir si debe realizar un trabajo determinado.

#### ⚠ ADVERTENCIA

El mantenimiento inadecuado puede provocar una falta de seguridad.

Si no sigue correctamente las instrucciones y precauciones para el mantenimiento, correrá el peligro de sufrir heridas graves o incluso la muerte.

Siga siempre con cuidado los procedimientos y precauciones de este manual del propietario.

### PRECAUCIONES DE SEGURIDAD

- Asegúrese de que el motor esté desconectado antes de comenzar cualquier trabajo de mantenimiento o de reparación. Para evitar el arranque involuntario, desconecte la tapa de la bujía. De este modo eliminará muchos peligros potenciales:
    - **Intoxicación por monóxido de carbono procedente del tubo de escape del motor.**  
Haga funcionar el motor al aire libre y alejado de ventanas o puertas abiertas.
    - **Quemaduras con piezas calientes.**  
Espere a que se enfríen el motor y el sistema de escape antes de tocarlos.
    - **Lesiones por piezas en movimiento.**  
No ponga en marcha el motor a menos que se lo indiquen las instrucciones.
  - Lea las instrucciones antes de empezar, y asegúrese de disponer de las herramientas y conocimientos necesarios.
  - Para reducir la posibilidad de un incendio o una explosión, tenga cuidado cuando trabaje cerca del GLP. Emplee sólo solventes inflamables, y no emplee gasolina, para limpiar las partes. Mantenga apartados los cigarrillos, las chispas y el fuego de las partes relacionadas con el combustible.
- Recuerde que su concesionario de servicio autorizado Honda es quien mejor conoce su motor y que está completamente equipado para su mantenimiento y reparación.  
Para asegurar la mejor calidad y fiabilidad, emplee sólo partes nuevas originales Honda Genuine o sus equivalentes para las reparaciones y reemplazos.

## PROGRAMA DE MANTENIMIENTO

PERIODOS REGULARES DE SERVICIO (1) Efectuar en cada uno de los intervalos en meses u horas de funcionamiento indicados, lo que se produzca antes.		Cada uso	Primer mes o 20 h	Cada 3 meses o 50 h	Cada 6 meses o 100 h	Cada año o 300 h	Consultar la página
Aceite del motor	Comprobar el nivel	o					7
	Cambiar		o		o		
Filtro de aire	Revisar	o					8
	Limpiar			o (2)			8
	Sustituir					o	
Bujía	Revisar-ajustar				o		9
	Sustituir					o	
Comprobar ajuste	Revisar-ajustar					o (3)	9
Holgura de las válvulas	Revisar-ajustar					o (3)	Manual de taller
Limpieza de	Limpiar	Cada 500 Hrs. (3)					Manual de taller
Control cero	Comprobar/ Limpiar	Cada 2 años o 300 h (Cambiar componentes si es necesario)(3)(4)					Manual de taller
Tubo de combustible Tubo de apagado Tubo de purga	Revisar	Cada 2 años (Sustituir si es necesario) (3)(4)					Manual de taller

- (1) Para aplicaciones comerciales, registre las horas de funcionamiento para poder determinar los intervalos adecuados de mantenimiento.
- (2) Realice el servicio con mayor frecuencia cuando lo utilice en zonas polvorosas.
- (3) El servicio de estas piezas deberá realizarlo su concesionario de servicio, a menos que usted disponga de las herramientas adecuadas y posea suficientes conocimientos mecánicos. Para ver los procedimientos de servicio, consulte el manual de taller Honda.
- (4) Compruebe que no haya grietas ni daños, y efectúe el cambio si no es normal.

Si no sigue este programa de mantenimiento pueden producirse fallas que no entran en la garantía.

### REPOSTAJE

#### Combustible recomendado

Propano	Butano
30 %	70 %
40 %	60 %
50 %	50 %
60 %	40 %
70 %	30 %

Este motor está certificado para funcionar solo con GLP.

Es posible que el motor no pueda arrancar si la temperatura es de 0°C o inferior, dependiendo de la composición y la cantidad restante de gas en el cilindro de GLP.

Es posible que oiga de vez en cuando ligeras "detonaciones" o "golpeteo por autoencendido" (un ruido fuerte de golpeteo) mientras opera con grandes cargas. No se preocupe por ello.

Si las detonaciones o el golpeteo se producen a una velocidad estable del motor, con una carga normal, consulte a un concesionario de servicio autorizado Honda.

#### AVISO

*El motor puede dañarse si se utiliza con detonaciones o golpeteo por autoencendido persistentes.*

*Si se utiliza el motor con detonaciones o golpeteo por autoencendido persistentes, se considera que es una utilización indebida y la garantía limitada del distribuidor no cubre las piezas dañadas por utilización indebida.*

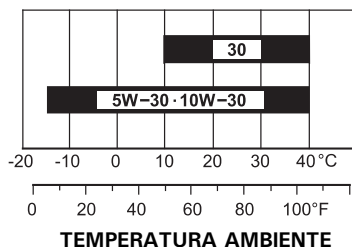
## ACEITE DE MOTOR

El aceite es un factor muy importante que afecta el rendimiento y la vida de servicio.

Emplee aceite detergente para automóviles de 4 tiempos que esté diseñado para motores que funcionen con GLP.

### Aceite recomendado

Emplee aceite de motor de 4 tiempos que satisfaga o exceda los requisitos para la categoría de servicio API de SE o posterior (o equivalente). Compruebe siempre la etiqueta de servicio API del recipiente de aceite para asegurarse que incluye las letras SE o posterior (o equivalente).



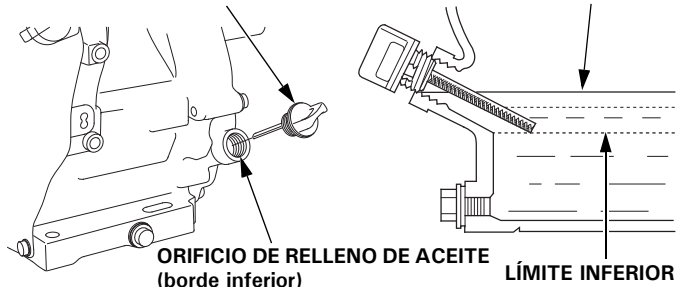
Se recomienda el SAE 10W-30 para aplicaciones generales. Las otras viscosidades mostradas en la gráfica pueden utilizarse cuando la temperatura media de su zona está dentro del margen indicado.

### Comprobación del nivel de aceite

Compruebe el nivel del aceite de motor con el motor parado y en una posición nivelada.

1. Extraiga la tapa de relleno/varilla de medición del nivel de aceite y frótelas para limpiarlas.
2. Inserte la tapa de relleno/varilla de medición del nivel de aceite en el cuello de relleno como se muestra, pero no la enrosque, y luego extráigala para comprobar el nivel de aceite.
3. Si el nivel de aceite está cerca o por debajo de la marca del límite inferior de la varilla de medición del nivel de aceite, llene aceite del recomendado hasta la marca del límite superior (parte inferior del orificio de relleno de aceite). No llene excesivamente.
4. Vuelva a instalar la tapa de relleno/varilla de medición del nivel de aceite.

### TAPÓN DE LLENADO DE ACEITE/VARILLA DE NIVEL LÍMITE SUPERIOR



### AVISO

*El motor puede dañarse si se utiliza con un nivel bajo de aceite. Este tipo de daños no está cubierto por la garantía.*

El sistema de alerta de aceite Oil Alert (tipos aplicables) parará automáticamente el motor antes de que el nivel de aceite caiga por debajo del límite de seguridad. Sin embargo, para evitar la inconveniencia de una parada inesperada, compruebe siempre el nivel de aceite de motor antes de empezar.

## Cambio del aceite

Drene el aceite usado cuando el motor esté caliente. El aceite caliente se drena con más rapidez y por completo.

1. Coloque un recipiente adecuado debajo del motor para recoger el aceite usado y extraiga el tapón de llenado de aceite/la varilla de medición, el perno de drenaje de aceite y la arandela.
2. Deje que el aceite usado se drene por completo, vuelva a colocar el perno de drenaje de aceite junto con una arandela nueva y apriete firmemente el perno de drenaje de aceite.

Descarte el aceite de motor usado de una manera que sea compatible con el medio ambiente. Le aconsejamos que lleve el aceite usado en un recipiente cerrado al centro de reciclaje de su localidad o a una gasolinera para que se encarguen de su eliminación. No lo tire a la basura, no lo derrame al suelo, ni lo vierta por una alcantarilla.

3. Con el motor en una posición nivelada, rellene con el aceite recomendado hasta la marca del límite superior (parte inferior del orificio de llenado de aceite) de la varilla de medición.

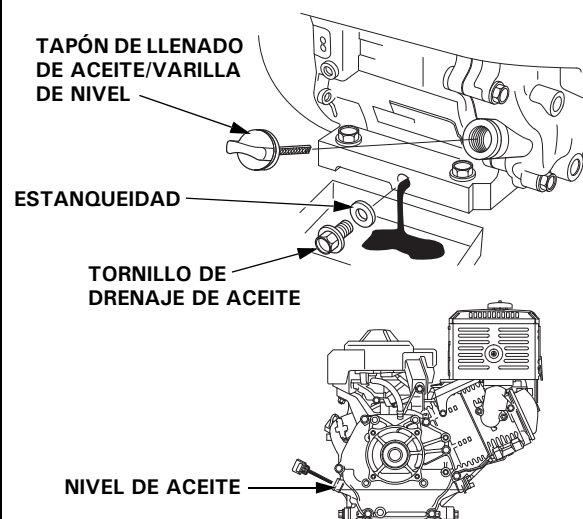
Capacidad del aceite del motor: GX200: 0,60 L  
GX390: 1,1 L

### AVISO

*El motor puede dañarse si se utiliza con un nivel bajo de aceite. Este tipo de daños no está cubierto por la garantía limitada del distribuidor.*

El sistema de alerta de aceite Oil Alert (tipos aplicables) parará automáticamente el motor antes de que el nivel de aceite caiga por debajo del límite de seguridad. Sin embargo, para evitar la inconveniencia de una parada inesperada, llene hasta el límite superior, y compruebe con regularidad el nivel del aceite.

4. Vuelva a instalar la tapa de relleno/varilla de medición del nivel de aceite y apriétela con seguridad.



Lávese las manos con agua y jabón después de haber manipulado aceite usado.

### AVISO

*Descarte el aceite de motor usado de una manera que sea compatible con el medio ambiente. Sugerimos que lo lleve en un recipiente cerrado a su sitio de eliminación de residuos. No lo tire a la basura, no lo derrame al suelo, ni lo vierta por una alcantarilla.*

## FILTRO DE AIRE

Un filtro de aire sucio restringirá el flujo de aire al mezclador, reduciendo el rendimiento del motor. Si utiliza el motor en lugares muy polvorientos, limpie el filtro de aire con mayor frecuencia que la que se especifica en el PROGRAMA DE MANTENIMIENTO (vea la página 6).

### AVISO

*Si se pone en funcionamiento el motor sin el filtro de aire, o con un filtro de aire dañado, la suciedad se introducirá en el motor, ocasionando su rápido desgaste. Este tipo de daños no está cubierto por la garantía limitada del distribuidor.*

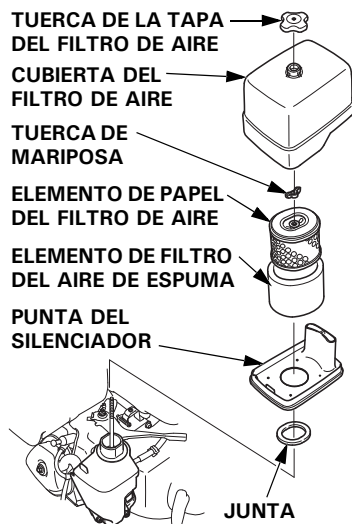
### Inspección

Extraiga la cubierta del filtro de aire e inspeccione los elementos del filtro.

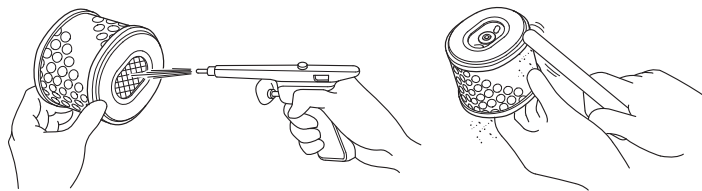
Limpie o reemplace los elementos sucios del filtro. Reemplace siempre los elementos del filtro si están dañados.

### Limpieza

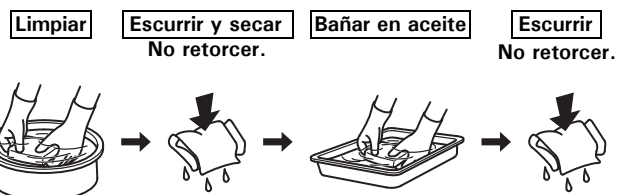
1. Extraiga la tuerca de la cubierta del filtro de aire de la cubierta del filtro de aire y extraiga la cubierta.
2. Extraiga la tuerca de aletas del filtro de aire, y extraiga el filtro.
3. Extraiga el elemento de espuma del filtro de aire del elemento de papel del filtro de aire.
4. Inspeccione los dos elementos del filtro de aire, y reemplácelos si están dañados. Reemplace siempre el elemento de papel del filtro de aire a los intervalos programados (vea la página 6).
5. Limpie los elementos del filtro de aire si debe volver a utilizarlos.



Elemento de papel del filtro de aire: Golpee varias veces el elemento del filtro contra una superficie dura para sacar la suciedad, o sople aire comprimido [sin exceder 207 kPa, (2,1 kgf/cm<sup>2</sup>)] por el elemento del filtro desde el interior. No trate nunca de cepillar la suciedad; el cepillo forzaría la suciedad al interior de las fibras.



Elemento de espuma del filtro de aire: Límpielo en agua tibia con jabón, aclárelo y espere a que se seque por completo. También podrá limpiarlo en solvente ininflamable y dejarlo secar. Sumerja el elemento del filtro en aceite de motor limpio, y luego exprima todo el aceite excesivo. Si se deja demasiado aceite en la espuma, el motor producirá humo cuando se arranque.



6. Frote la suciedad desde el interior de la cubierta del filtro de aire y la cubierta empleando un paño humedecido. Tenga cuidado para evitar que la suciedad entre en el conducto de aire que va al mezclador.
7. Ponga el elemento de espuma del filtro de aire sobre el elemento de papel del filtro de aire, y vuelva a instalar el filtro de aire montado. Asegúrese de que la empaquetadura esté en su lugar de debajo del filtro de aire. Apriete con seguridad la tuerca de aletas.
8. Instale la cubierta del filtro de aire y apriete firmemente la tuerca de la cubierta del filtro de aire.

## BUJÍA

Bujías recomendadas: **GX200:BPR6ES-5 (NGK)**  
**GX390:BP6ES (NGK)**

La bujía recomendada tiene el margen térmico correcto para las temperaturas normales de operación del motor.

### AVISO

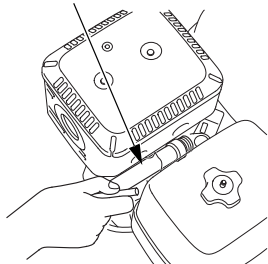
*Una bujía incorrecta puede causar daños en el motor.*

Si el motor ha estado funcionando, espere a que se enfríe antes de realizar el servicio de la bujía.

Para obtener un buen rendimiento, el huelgo de los electrodos de la bujía deberá ser correcto y no deberá haber carbonilla acumulada.

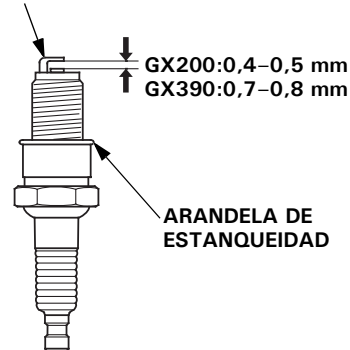
1. Desconecte la tapa de la bujía, y saque la suciedad que pudiera haber en torno al área de la bujía.
2. Extraiga la bujía con una llave para bujías.
3. Inspeccione la bujía. Reemplácela si está dañada o muy sucia, si la arandela de sellado está en mal estado, o si el electrodo está gastado.

### LLAVE DE BUJÍAS



4. Mida el huelgo del electrodo de la bujía con un calibre de espesores del tipo de alambre. Corrija el huelgo, si es necesario, doblando con cuidado el electrodo lateral. El huelgo deberá ser:  
GX200:0,4–0,5 mm  
GX390:0,7–0,8 mm

### ELECTRODO LATERAL



5. Instale con cuidado la bujía, con la mano, para evitar que se dañen las roscas.
6. Después de haberse asentado la bujía, apriétela con una llave de bujías para comprimir la arandela de sellado.

Cuando instale una bujía nueva, apriétela 1/2 de vuelta después de haberse asentado la bujía para comprimir la arandela.

Cuando vuelva a instalar la bujía original, apriétela 1/8-1/4 de vuelta después de haberse asentado la bujía para comprimir la arandela.

**TORSIÓN:** 18 N·m (1,8 kgf·m)

### AVISO

*Una bujía floja puede causar sobrecalentamiento y daños en el motor.*

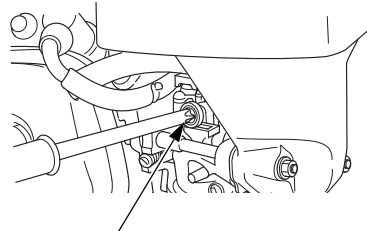
*El apriete excesivo de la bujía puede dañar las roscas de la culata de cilindros.*

7. Instale la tapa de la bujía en la bujía.

## VELOCIDAD DE RALENTÍ

### Ajuste

1. Arranque el motor al aire libre, y deje que se caliente hasta alcanzar la temperatura de funcionamiento.
2. Mueva la palanca del acelerador a la posición mínima.
3. Gire el tornillo de tope de la mariposa de gases para obtener la velocidad de ralentí estándar.



### TORNILLO TOPE DEL ACELERADOR

Velocidad de ralentí estándar: GX200: 1400 + 200 min<sup>-1</sup>(rpm)  
- 150 min<sup>-1</sup>(rpm)  
GX390: 1400 ± 150 min<sup>-1</sup>(rpm)

## SUGERENCIAS Y OBSERVACIONES DE UTILIDAD

### ALMACENAJE DEL MOTOR

#### Preparativos para el almacenaje

Pare el motor y cierre la válvula de suministro de GLP. Para los modelos destinados a Indonesia, suelte el regulador de baja presión antes de quitar la manguera.

Los preparativos adecuados para el almacenaje son esenciales para mantener el motor exento de problemas y con buena apariencia exterior. Los pasos siguientes ayudarán a evitar que la oxidación y la corrosión afecten el funcionamiento y el aspecto exterior del motor, y facilitarán el arranque del motor cuando lo vuelva a utilizar.

#### Limpieza

Si el motor ha estado en marcha, espere a que se enfríe por lo menos media hora antes de efectuar la limpieza. Limpie todas las superficies exteriores, retoque cualquier parte dañada con pintura, y revista las otras partes que puedan oxidarse con una capa fina de aceite.

#### AVISO

*Si se emplea una manguera de jardín o un equipo de lavado a presión, el agua puede forzarse al interior del filtro de aire o a la abertura del silenciador. Al agua dentro del filtro de aire mojará el filtro de aire, y el agua que pasa por el filtro de aire o el silenciador puede introducirse en el cilindro, y ocasionar daños.*

#### Aceite para el motor

1. Cambie el aceite de motor (vea la página 7).

#### Cilindro del motor

1. Extraiga la bujía.
2. Introduzca una cucharilla de 5–10 cm<sup>3</sup> de aceite de motor limpio en el cilindro.
3. Tire varias veces de la empuñadura del arrancador para que el aceite se distribuya por el cilindro.
4. Vuelva a instalar la bujía.
5. Tire lentamente de la empuñadura del arrancador hasta que note resistencia. De este modo se cerrarán las válvulas para que no pueda introducirse suciedad en el cilindro del motor. Deje que la empuñadura del arrancador retorne con suavidad.
6. Cubra el motor para protegerlo contra el polvo.

#### Precauciones para el almacenaje

Seleccione un lugar de almacenaje bien ventilado apartado de todos los aparatos que funcionen con fuego, como puedan ser los hornos, calentadores de agua, o secadoras para la ropa. Evite también los lugares con motores eléctricos que produzcan chispas, o donde se utilicen herramientas eléctricas.

Si es posible, evite los lugares de almacenaje con mucha humedad, porque aceleran la oxidación y la corrosión.

Mantenga el motor nivelado durante el almacenaje. La inclinación podría ocasionar fugas de aceite.

Cuando el motor y el sistema de escape estén fríos, cubra el motor para protegerlo contra el polvo. Si el motor y el sistema de escape están calientes pueden hacer que se enciendan o derritan algunos materiales. No emplee una lámina de plástico como cubierta contra el polvo.

Una cubierta que no sea porosa no dejará escapar la humedad en torno al motor, acelerando la oxidación y la corrosión.

#### Salida del almacenaje

Compruebe el motor como se describe en la sección de **COMPROBACIONES PREVIAS A LA OPERACIÓN** de este manual (vea la página 3).

Si se había revestido el cilindro con aceite durante los preparativos para el almacenaje, el motor produce un poco de humo al principio. Esto es normal.

#### TRANSPORTE

Si el motor ha estado en marcha, espere como mínimo 15 minutos a que se enfríe antes de cargar el equipo motorizado en el vehículo de transporte. Si el motor y el sistema de escape están calientes pueden causar quemaduras y hacer que se enciendan algunos materiales.

Antes de transportar el motor, la manguera para GLP debe estar desconectada.

Debe desconectar la manguera para GLP.

## CUIDADOS PARA PROBLEMAS INESPERADOS

### NO ARRANCA EL MOTOR

Causa posible	Corrección
Interruptor del motor APAGADO.	Gire el interruptor del motor a la posición ON.
Sin combustible.	Repueste (p. 6).
Bajo nivel de aceite del motor (Modelos con Oil Alert).	Rellene con el aceite recomendado hasta el nivel correcto (p. 7).
Bujía averiada, desgastada o con huelgo incorrecto.	Coloque o sustituya la bujía (p. 9).
Avería del mezclador, avería del encendido, válvulas atascadas, etc.	Lleve el motor a su concesionario de servicio o consulte el manual de taller.

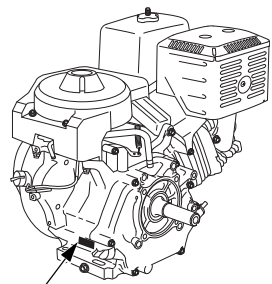
### FALTA DE POTENCIA EN EL MOTOR

Causa posible	Corrección
Elemento(s) del filtro obstruido(s).	Limpie o sustituya el(los) elemento(s) del filtro (p. 8).
La calidad o presión del combustible es baja.	Use una fuente de GLP fiable.
Avería del mezclador, avería del encendido, válvulas atascadas, etc.	Lleve el motor a su concesionario de servicio o consulte el manual de taller.

## INFORMACIÓN TÉCNICA

### Situación del número de serie

Anote el número de serie del motor en el espacio siguiente. Necesitará esta información cuando realice pedidos de partes y consultas técnicas o sobre la garantía.



SITUACIÓN DEL NÚMERO DE SERIE Y DEL TIPO DE MOTOR

Número de serie del motor: \_\_\_\_\_

Tipo de motor: \_\_\_\_\_

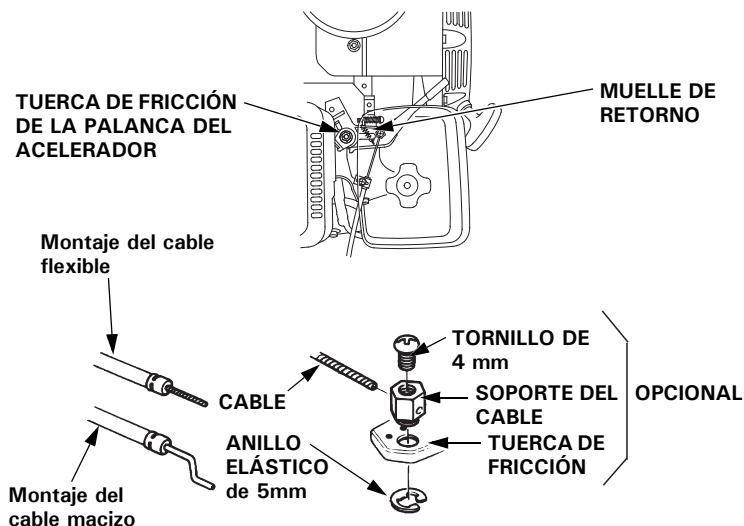
Fecha de adquisición: \_\_\_\_ / \_\_\_\_ / \_\_\_\_

### Enlace de control remoto

La palanca del acelerador está provista de orificios para la instalación del cable opcional. Las siguientes ilustraciones muestran un ejemplo de instalación de un cable macizo y de un cable trenzado flexible. Si emplea un cable trenzado flexible, añada un resorte de retorno como se muestra.

Es necesario aflojar la tuerca de fricción de la palanca del acelerador cuando se opere el acelerador con un control montado a distancia.

### ENLACE DEL ACELERADOR REMOTO



### Operación a gran altitud

El motor alimentado mediante GLP no requiere ninguna modificación para funcionar a gran altitud. Sin embargo, a gran altitud el rendimiento y la potencia disminuirán.

### Especificaciones

#### GX200 (TDF de eje tipo Q)

LongitudxAnchuraxAltura	321 × 376 × 335 mm
Masa en seco [Peso]	16,0 kg
Tipo de motor	4 tiempos, monocilíndrico, válvulas en culata
Cilindrada [Diámetro × carrera]	196 cm <sup>3</sup> [68,0 × 54,0 mm]
Potencia neta (según SAE J1349*)	4,1 kW (5,6 CV) a 3600 min <sup>-1</sup> (rpm)
Par máx. neto (según SAE J1349*)	12,4 N·m (1,26 kgf·m) a 2500 min <sup>-1</sup> (rpm)
Capacidad del aceite del motor	0,60 L
Sistema de refrigeración	Aire forzado
Sistema de encendido	Arranque por magneto-transistor
Rotación del eje de la TDF	Hacia la izquierda

#### GX390 (TDF de eje tipo Q)

LongitudxAnchuraxAltura	406 × 460 × 448 mm
Masa en seco [Peso]	30,7 kg
Tipo de motor	4 tiempos, monocilíndrico, válvulas en culata
Cilindrada [Diámetro × carrera]	389 cm <sup>3</sup> [88,0 × 64,0 mm]
Potencia neta (según SAE J1349*)	7,9 kW (10,7 CV) a 3600 min <sup>-1</sup> (rpm)
Par máx. neto (según SAE J1349*)	24,0 N·m (2,45 kgf·m) a 2500 min <sup>-1</sup> (rpm)
Capacidad del aceite del motor	1,1 L
Sistema de refrigeración	Aire forzado
Sistema de encendido	Imán CDI
Rotación del eje de la TDF	Hacia la izquierda

\* La potencia nominal del motor indicada en este documento es la potencia de salida neta probada en un modelo de motor fabricado en serie y medida conforme a la norma SAE J1349 a 3.600 min<sup>-1</sup>(rpm) (potencia neta) y a 2.500 min<sup>-1</sup>(rpm) (par motor neto máx.). Los motores de producción en cadena pueden tener valores diferentes a este.

La potencia real para el motor instalado en la máquina final dependerá de diversos factores, incluidos la velocidad de trabajo del motor en la aplicación, las condiciones ambientales, el mantenimiento, así como otras variables.

### Especificaciones de reglaje

#### GX200

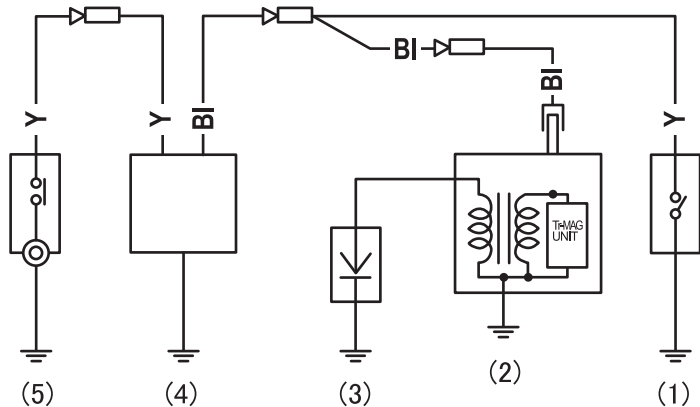
ARTÍCULO	ESPECIFICACIÓN	MANTENIMIENTO
Huelgo de bujía	0,4–0,5 mm	Consultar la página: 9
Comprobar ajuste	1400 + 200 min <sup>-1</sup> (rpm) – 150 min <sup>-1</sup> (rpm)	
Holgura de la válvula (frío)	ADM: 0,15 ± 0,02 mm ESC: 0,20 ± 0,02 mm	Consulte a su concesionario autorizado Honda
Otras especificaciones	No se necesita ningún otro ajuste.	

#### GX390

ARTÍCULO	ESPECIFICACIÓN	MANTENIMIENTO
Huelgo de bujía	0,7–0,8 mm	Consultar la página: 9
Comprobar ajuste	1400 ± 150 min <sup>-1</sup> (rpm)	
Holgura de la válvula (frío)	ADM: 0,15 ± 0,02 mm ESC: 0,20 ± 0,02 mm	Consulte a su concesionario autorizado Honda
Otras especificaciones	No se necesita ningún otro ajuste.	

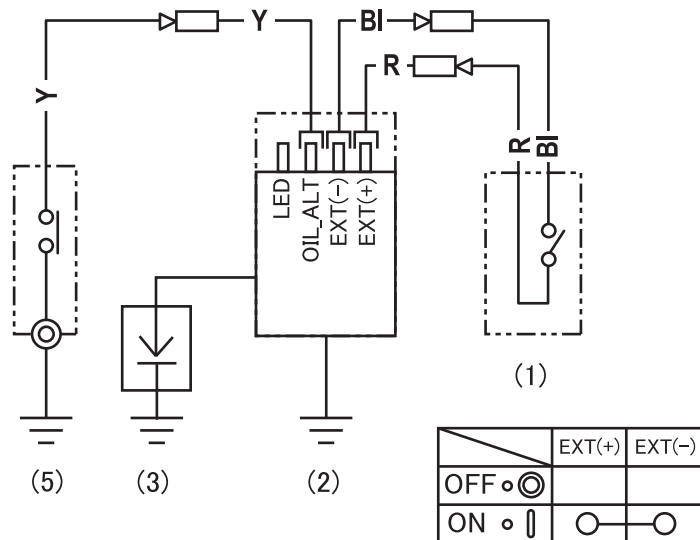
**Diagramas de conexiones**

**GX200**



	IGN	EARTH
OFF ○ ●	○	○
ON ○		

**GX390**



	EXT(+)	EXT(-)
OFF ○ ●		
ON ○	○	○

- (1) INTERRUPTOR DEL MOTOR
- (2) BOBINA DE ENCENDIDO
- (3) BUJÍA
- (4) UNIDAD OIL ALERT
- (5) INTERRUPTOR DE NIVEL DE ACEITE

BI	Negro
Y	Amarillo
R	Rojo

**INFORMACIÓN DEL CONSUMIDOR**

**INFORMACIÓN PARA ENCONTRAR DISTRIBUIDORES/CONCESIONARIOS**

Visite nuestro sitio web: <http://www.honda-engines-eu.com>

**INFORMACIÓN DE SERVICIO PARA CLIENTES**

El personal de los concesionarios de servicio son profesionales entrenados. Ellos podrán contestar a cualquier pregunta que usted les haga. Si se encuentra con un problema que su concesionario no puede resolver para dejarle satisfecho, comuníquese al jefe del concesionario. El jefe de servicio, el director general, o el propietario podrán ayudarle. Casi todos los problemas se resuelven de este modo.

Si no queda satisfecho con la decisión tomada por los jefes del concesionario, póngase en contacto con la Oficina de Honda como se muestra.

**< Oficina de Honda >**

Cuando escriba o llame, tenga la amabilidad de incluir la información siguiente:

- Nombre del fabricante y número de modelo del equipo al que se ha montado el motor
- Modelo, número de serie, y tipo del motor (vea la página 11)
- Nombre del concesionario que le vendió el motor
- Nombre, dirección, y persona de contacto del concesionario que realiza el servicio de su motor
- Fecha de adquisición
- Su nombre, dirección y número de teléfono
- Una descripción detallada del problema

**Honda Motor Europe Logistics NV.**

European Engine Center

<http://www.honda-engines-eu.com>

Póngase en contacto con el distribuidor Honda de su zona para que le ayude.

**HONDA**



## INLEIDING

Dank u voor uw aanschaf van een Honda motor. We helpen u graag om met uw nieuwe motor optimale resultaten te behalen en deze veilig te gebruiken. Deze handleiding bevat informatie hierover; lees deze daarom zorgvuldig door voordat u uw motor gebruikt. Als er storingen optreden of als u vragen over uw motor heeft, neem dan contact op met uw onderhoudsdealer.

Alle in deze uitgave opgenomen informatie is gebaseerd op de meest recente beschikbare informatie bij het ter perse gaan. Honda Motor Co., Ltd behoudt zich het recht voor om wijzigingen op ieder moment zonder voorafgaande kennisgeving door te voeren. Niets uit deze uitgave mag worden gereproduceerd zonder schriftelijke toestemming.


Deze handleiding is te beschouwen als een permanent onderdeel van de motor en hoort bij verkoop ervan aan de nieuwe eigenaar te worden overhandigd.

We raden u aan het garantieboekje door te nemen zodat de dekking u volkomen duidelijk is en u alles weet over uw verantwoordelijkheid als eigenaar.

Neem de instructies bij de door deze motor aangedreven apparatuur door voor aanvullende informatie over starten en uitschakelen van de motor, bediening, afstellingen of eventuele speciale onderhoudsinstructies.

## VEILIGHEIDSMEDEDELINGEN

Uw eigen veiligheid en die van anderen zijn van het grootste belang. Overal in deze handleiding en op de motor zelf vindt u belangrijke veiligheidsmededelingen. Lees deze mededelingen aandachtig.

Een veiligheidsmededeling maakt u attent op potentiële risico's waarbij letsel aan uzelf of anderen kan worden toegebracht. Vóór elke veiligheidsmededeling ziet u een veiligheidssymbool  staan en een van de drie aanduidingen GEVAAR, WAARSCHUWING of LET OP.

Deze signaalwoorden betekenen:

### GEVAAR

U loopt **BESLIST DODELIJK** of **ERNSTIG** letsel op als u instructies niet opvolgt.

### WAARSCHUWING

U loopt **MOGELIJK DODELIJK** of **ERNSTIG** letsel op als u instructies niet opvolgt.

### LET OP

U **KUNT LETSEL** oplopen als u instructies niet opvolgt.

Elke mededeling maakt duidelijk wat het risico is, wat er kan gebeuren en wat u kunt doen om letsel te vermijden of te beperken.

## INFORMATIE OVER SCHADEPREVENTIE

U treft ook andere belangrijke mededelingen aan waarbij het woord **ATTENTIE** staat.

Dit woord betekent:

### **ATTENTIE**

U kunt uw motor of eigendommen beschadigen als u instructies niet opvolgt.

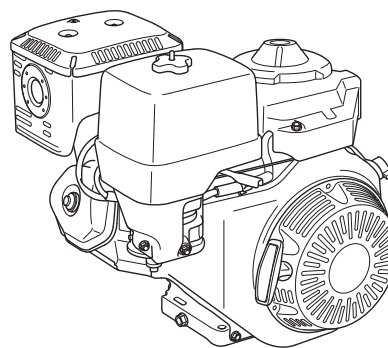
Het doel van deze mededelingen is u te helpen om schade aan de motor, uw eigendommen of het milieu te voorkomen.

# HONDA

## INSTRUKTIEHANDLEIDING

### GX200 • GX390

### LPG-motor



De afbeelding zijn hoofdzakelijk gebaseerd op: PTO-as, type Q.  
• De afbeeldingen kunnen verschillen naargelang van het type.

## INHOUD

INLEIDING .....	1	LUCHTFILTER .....	8
VEILIGHEIDSMEDEDELINGEN ...	1	Inspectie .....	8
VEILIGHEIDSINFORMATIE ...	2	Reinigen .....	8
LOCATIE VEILIGHEIDSSTICKER ...	2	BOUGIE .....	9
LOCATIES VAN		STATIONAIR TOERENTAL ...	9
COMPONENTEN &		HANDIGE TIPS &	
SCHAKELAARS .....	2	SUGGESTIES .....	10
EIGENSCHAPPEN .....	2	UW MOTOR STALLEN....	10
INSTELLEN .....	3	TRANSPORT .....	10
GEBUIKSCONTROLES		ONVERWACHTE PROBLEMEN	
VOORAF .....	3	OPLOSSEN .....	10
WERKING .....	4	TECHNISCHE INFORMATIE	11
VOORZORGEN VOOR		Locatie serienummer .....	11
VEILIG GEBRUIK .....	4	Verbinding voor externe	
DE MOTOR STARTEN .....	4	bediening .....	11
DE MOTOR UITSCHAKELEN... 5		Bedrijf op grote hoogtes ...	11
MOTORTOERENTAL		Specificaties .....	11
INSTELLEN .....	5	Afstelspecificaties.....	11
ONDERHOUD AAN UW MOTOR... 6		Bedradingsschema's.....	12
HET BELANG VAN		GEbruikersINFORMATIE ...	12
ONDERHOUD .....	6	INFORMATIE OVER	
VEILIG ONDERHOUD .....	6	DISTRIBUTEUR-/	
VEILIGHEIDSVOORZORGEN ... 6		DEALERZOEKFUNCTIE ...	12
ONDERHOUDSSCHEMA .... 6		KLANTENSERVICE-	
BRANDSTOF TANKEN .....	6	INFORMATIE.....	12
MOTOROLIE .....	7		
Aanbevolen olie.....	7		
Olieniveau controleren....	7		
Olie verversen .....	7		

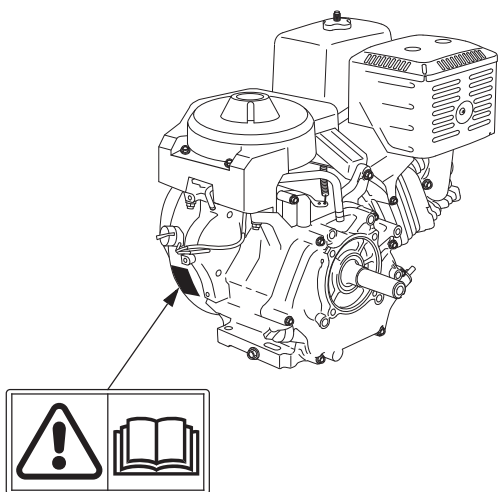
## VEILIGHEIDSINFORMATIE

- Zorg dat u de werking van alle bedieningsorganen begrijpt en dat u weet hoe u de motor in een noodgeval snel uitschakelt. Zorg dat de gebruiker de juiste instructies krijgt voordat hij de apparatuur gaat gebruiken.
- De motor mag niet door kinderen worden gebruikt. Houd kinderen en huisdieren uit de buurt terwijl de motor in gebruik is.
- De uitlaatgassen van uw motor bevatten giftig koolmonoxidegas. Laat de motor niet draaien zonder voldoende ventilatie en laat de motor nooit binnenshuis draaien.
- De motor en de uitlaat worden tijdens gebruik zeer heet. Houd tijdens het gebruik de motor tenminste 1 meter uit de buurt van gebouwen en andere apparatuur. Houd ontvlambaar materiaal bij de motor vandaan en zet niets op de motor terwijl deze draait.
- LPG is extreem ontvlambaar en brandbaar. Vul de tank buiten bij, in een goed geventileerde omgeving, en met stilstaande motor. Rook niet in de buurt van LPG en houd andere vlammen en vonken uit de buurt.

## LOCATIE VEILIGHEIDSSTICKER

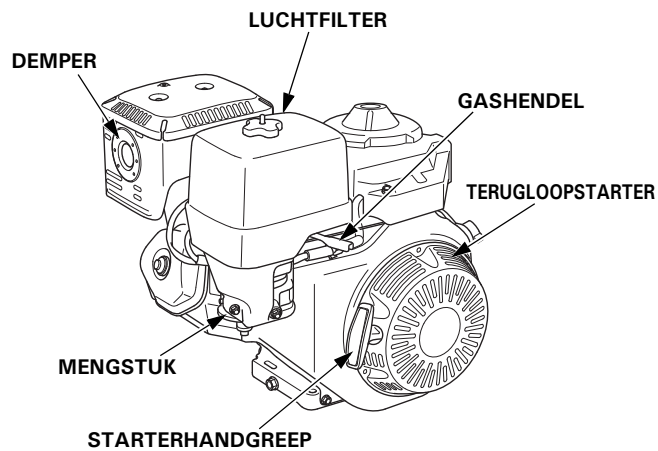
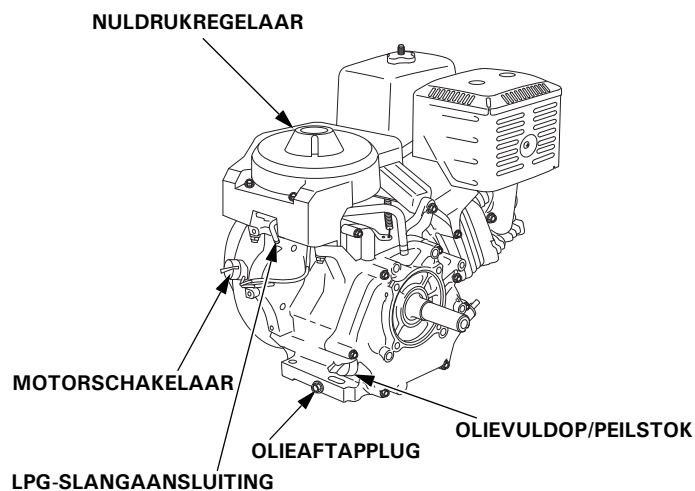
Deze sticker waarschuwt u voor risico's die ernstig letsel tot gevolg kunnen hebben. Lees deze zorgvuldig.

Als de sticker losraakt of niet meer goed leesbaar is, kunt u bij uw Honda onderhoudsdealer een nieuwe sticker krijgen.



Lees het instructieboekje voordat u de motor gebruikt.

## LOCATIES VAN COMPONENTEN & SCHAKELAARS



## EIGENSCHAPPEN

### OIL ALERT-SYSTEEM (betreffende uitvoeringen)

Het Oil Alert-systeem is bedoeld om motorschade te voorkomen als er te weinig olie in het carter aanwezig is. Al voordat het oliepeil in het carter beneden een veilige grenswaarde daalt, schakelt het Oil Alert-systeem automatisch de motor uit (de motorschakelaar blijft in de stand AAN).

Als de motor stopt en niet meer wil starten, moet u het motoroliepeil controleren (zie pagina 7) voordat u probeert problemen in andere delen op te lossen.

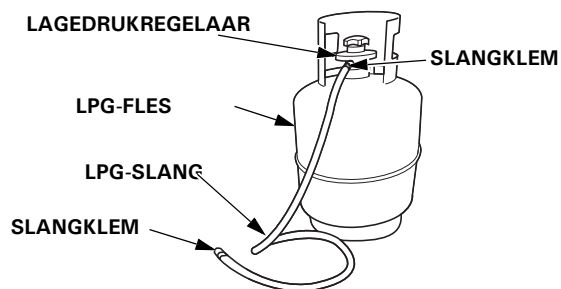
## INSTELLEN

### Brandstofsysteem

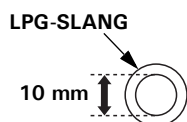
Deze motor draait op LPG.

U moet zelf zorgen voor een LPG-fles, lagedrukregelaar, LPG-slang en twee slangklemmen, aangezien deze niet met de motor worden meegeleverd. Gebruik alleen onderdelen die zijn ontworpen voor gebruik met LPG.

Deze onderdelen vallen buiten de garantie van Honda en u dient deze zelf op de motor aan te sluiten en te onderhouden.



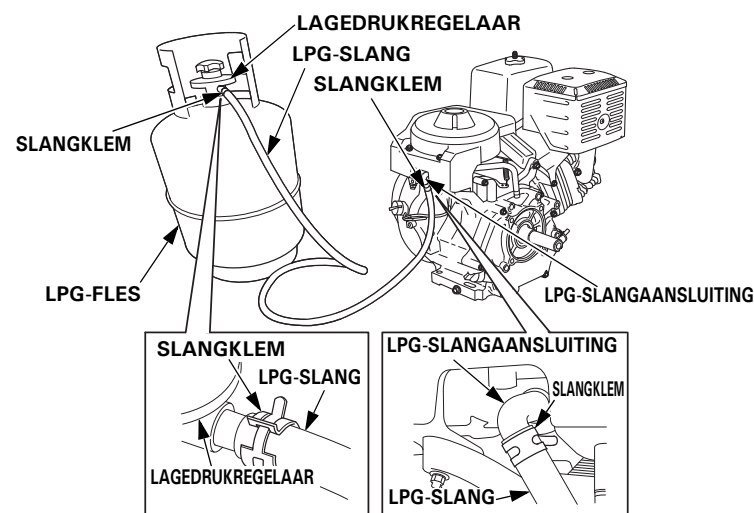
- Gebruik een voor LPG geschikte slang met een binnendiameter van 10 mm.
- Sluit een LPG-slang met een lengte van 5 m of korter aan tussen de lagedrukregelaar en de motor.
- Houd de LPG-slang uit de buurt van hete onderdelen en randen.
- Gebruik een lagedrukregelaar die voldoet aan de volgende norm en prestatiespecificaties.



Norm	Gebaseerd op EN 16129
Gasdebiet	1,2 kg/u of hoger (GX200) 3,4 kg/u of hoger (GX390)
Doorstroombegrenzer*	Geen

\* De doorstroombegrenzer wordt mogelijk omschreven als een "veiligheidssysteem" in de catalogus van de regelaar etc.

- Gebruik een LPG-slang en slangklemmen die zijn ontworpen voor gebruik met LPG.
- Bevestig de LPG-slang aan de lagedrukregelaar van de LPG-fles en de LPG-slangaansluiting op de motor.
- Zet de LPG-slang op de aansluitingen vast met slangklemmen.



- Plaats de motor en de LPG-fles zo ver mogelijk van elkaar af.
- Gebruik de LPG-fles in een rechtopstaande positie.
- Controleer nadat u de LPG-fles met de LPG-slang op de motor hebt aangesloten op gaslekage met behulp van zeepsop.

## GEBRUIKSCONTROLES VOORAF

### IS UW MOTOR GEBRUIKSKLAAR?

Voor uw eigen veiligheid en voor een maximale levensduur van uw apparatuur, is het van groot belang om voordat u de motor aanzet steeds even tijd te nemen en de conditie van de motor te controleren. Los eventuele gevonden problemen op of laat ze door uw onderhoudsdealer verhelpen voordat u de motor weer gebruikt.

### ⚠ WAARSCHUWING

Als de motor niet correct wordt onderhouden of problemen niet worden verholpen voordat de motor wordt gebruikt, kunnen ernstige storingen ontstaan.

Sommige storingen kunnen leiden tot ernstig letsel of de dood.

Voer voorafgaand aan elk gebruik een controle uit en verhelp eventuele problemen.

Controleer voordat u de gebruikscntrole uitvoert eerst of de motor wel horizontaal staat en de motorschakelaar in de stand OFF (UIT) staat.

Controleer altijd de volgende punten voordat u de motor start:

#### Gasaansluiting

De LPG-slang moet op de motor worden aangesloten.

#### Controleer de LPG-slang op gaslekage en beschadiging

Breng zeepsop aan op de LPG-slangaansluitingen en controleer op gaslekage.

Controleer de LPG-slang op beschadiging.

Stop onmiddellijk met het gebruik van de LPG-slang als deze beschadigd is of gaslekage vertoont. Herstel de aansluiting of vervang de onderdelen en controleer of er geen gaslekken meer aanwezig zijn alvorens de motor te starten.

#### Controleer de algehele conditie van de motor

Inspecteer voor elk gebruik de ruimte rond en onder de motor op tekenen van oliekkage.

1. Verwijder een teveel aan vuil of rommel, vooral rondom de uitlaatdemper en de terugloopstarter.
2. Let op tekenen van schade.
3. Controleer of alle afschermkappen en deksels op hun plaats zitten en of alle moeren, bouten en schroeven goed zijn vastgedraaid.

#### Controleer de motor

Inspecteer voor elk gebruik de ruimte rond en onder de motor op tekenen van oliekkage.

1. Controleer het motoroliepeil (zie pagina 7). Als de motor draait met een te laag oliepeil, kan er motorschade ontstaan.

Het Oil Alert-systeem (sommige uitvoeringen) zorgt dat de motor automatisch wordt uitgeschakeld voordat het oliepeil daalt tot beneden een veilige grenswaarde. Vermijd het ongemak van onverwacht uitschakelen door het motoroliepeil altijd te controleren voordat u de motor start.

2. Controleer het luchtfilterelement (zie pagina 8). Een vervuild luchtfilterelement belemmert de luchtstroom naar het mengstuk, waardoor de motor minder goed presteert.
3. Controleer de apparatuur die door deze motor wordt aangedreven.

Neem de instructies door die worden geleverd bij de apparatuur die door deze motor wordt aangedreven en let op voorzorgsmaatregelen en procedures die u hoort te volgen voordat u de motor start.

## WERKING

### VOORZORGEN VOOR VEILIG GEBRUIK

Lees bij de ingebruikname van de motor de paragraaf met **VEILIGHEIDSMAAATREGELEN** op pagina 2 en de **GEBRUIKSCONTROLES VOORAF** op pagina 3.

Laat voor uw eigen veiligheid de motor niet draaien in een afgesloten ruimte zoals een garage. De uitlaatgassen van de motor bevatten giftig koolmonoxide dat in een afgesloten ruimte snel een concentratie bereikt die schadelijk of dodelijk is.

### ⚠ WAARSCHUWING

De uitlaatgassen bevatten giftig koolmonoxide dat in afgesloten ruimten een gevaarlijke concentratie kan bereiken.

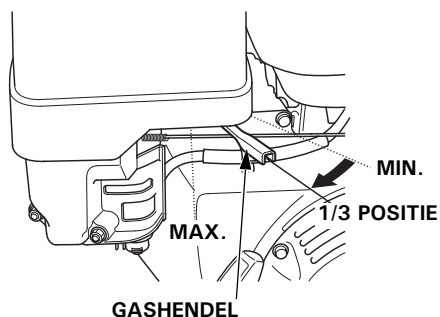
Het inademen van koolmonoxide kan leiden tot bewusteloosheid of de dood.

Laat de motor nooit in een (zelfs deels) afgesloten ruimte draaien.

Lees de instructies die zijn meegeleverd bij de apparatuur die wordt aangedreven door deze motor om te zien welke veiligheidsmaatregelen u in acht moet nemen bij het starten, uitschakelen of gebruik van de motor.

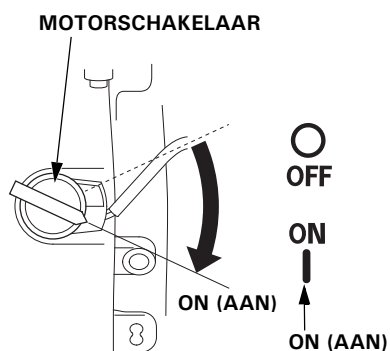
### DE MOTOR STARTEN

1. Open de gastoevoer naar de motor.
2. Zet de gashendel uit de stand MIN., op ca. 1/3 van de afstand naar de stand MAX.



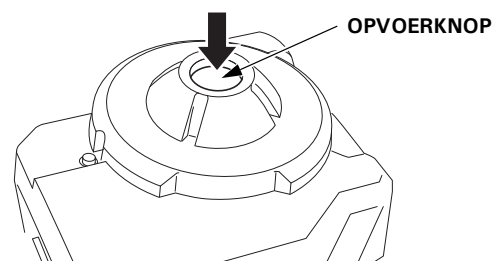
Sommige motoruitvoeringen hebben een extern gemonteerde gashendel en geen aan de motor gemonteerde gashendel zoals hier is afgebeeld. Zie de instructies die door de fabrikant van de apparatuur zijn meegeleverd.

3. Zet de motorschakelaar in de stand ON (AAN).



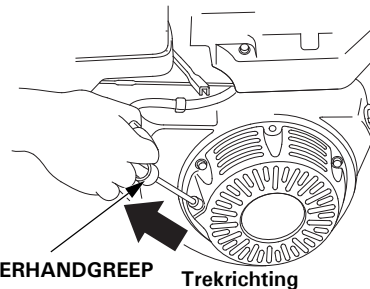
4. Als u de motor voor de eerste keer start na het aansluiten van de LPG-slang, of als er twee of meer dagen zijn verstreken sinds het laatste gebruik van de motor, druk dan één keer op de opvoerknop (gedurende ca. een seconde).

Als u de opvoerknop te lang ingedrukt hebt gehouden, kunt u de motor starten door de terugloopstarter meerdere malen te bedienen.



5. Bedien de starter.

Trek iets aan de starterhandgreep totdat u weerstand voelt en trek dan snel en stevig in de pijlrichting zoals hieronder getoond. Laat de starterhandgreep rustig terugrollen.



### ⚠ ATENTIE

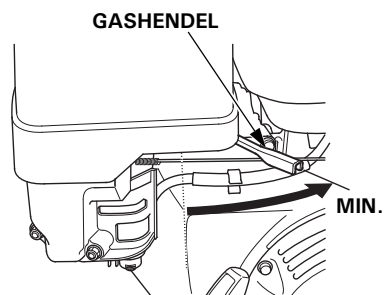
Laat de starterhandgreep niet terugslaan tegen de motor. Laat het startkoord langzaam terugrollen om schade aan de starter te voorkomen.

## DE MOTOR UITSCHAKELEN

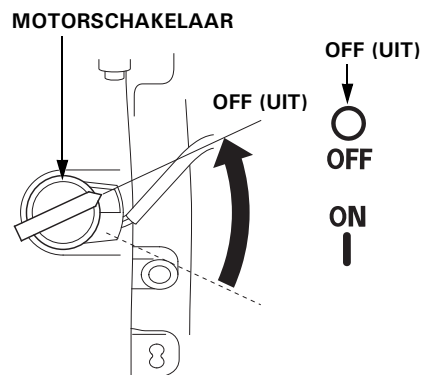
Als u in een noodgeval de motor snel moet uitschakelen, draait u de motorschakelaar gewoon naar de stand OFF (UIT). Hanteer onder normale omstandigheden de volgende procedure. Zie de instructies die door de fabrikant van de apparatuur zijn meegeleverd.

1. Zet de gashendel in de stand MIN.

Sommige motoruitvoeringen hebben een extern gemonteerde gashendel en geen aan de motor gemonteerde gashendel zoals hier is afgebeeld.



2. Zet de motorschakelaar in de stand OFF (UIT).



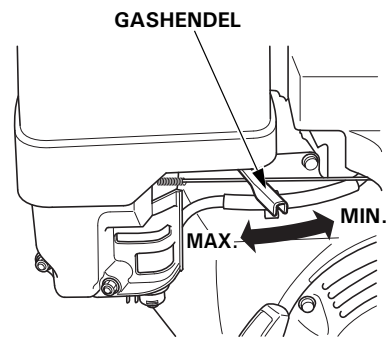
3. Sluit de gastoevoer.

## MOTORTOERENTAL INSTELLEN

Zet de gashendel in de stand voor het gewenste motortoerental.

Sommige motoruitvoeringen hebben een extern gemonteerde gashendel en geen aan de motor gemonteerde gashendel zoals hier is afgebeeld. Zie de instructies die door de fabrikant van de apparatuur zijn meegeleverd.

Zie voor het aanbevolen motortoerental de instructies bij de apparatuur die door deze motor wordt aangedreven.



## ONDERHOUD AAN UW MOTOR

### HET BELANG VAN ONDERHOUD

Deugdelijk onderhoud is van groot belang voor een veilige, zuinige en storingsvrije werking. Ook helpt u zo milieuverontreiniging voorkomen.

#### ⚠ WAARSCHUWING

Als de motor niet correct wordt onderhouden of problemen niet worden verholpen voordat de motor wordt gebruikt, kunnen ernstige storingen ontstaan.

Sommige storingen kunnen leiden tot ernstig letsel of de dood.

Volg altijd de aanbevelingen voor inspectie en onderhoud en de schema's in deze instructiehandleiding.

Op de volgende pagina's staan een onderhoudsschema en beschrijvingen van routine-inspecties en eenvoudige onderhoudsprocedures met basisgereedschap zodat u uw motor goed kunt onderhouden. Andere onderhoudstaken die wat ingewikkelder zijn of waarvoor speciaal gereedschap nodig is, kunt u beter overlaten aan vakmensen en laten uitvoeren door een monteur van Honda of een andere geschoolde monteur.

Het onderhoudsschema is van toepassing op normale gebruiksomstandigheden. Als u de motor gebruikt onder zware omstandigheden, zoals bij continu gebruik onder zware belasting of bij hoge temperaturen of onder ongewoon vochtige of stoffige condities, neem dan contact op met uw onderhoudsdealer voor advies over uw specifieke behoeften en gebruik.

**Gebruik alleen originele Honda-onderdelen of gelijkwaardig materiaal. Bij gebruik van vervangingsonderdelen die niet aan de kwaliteitseisen voldoen kan de motor beschadigd raken.**

### VEILIG ONDERHOUD

In dit deel wordt een aantal zeer belangrijke veiligheidsvoorzorgen beschreven. We kunnen echter niet waarschuwen tegen elk mogelijk risico dat zich bij het uitvoeren van onderhoud kan voordoen. U kunt alleen zelf beslissen of u een bepaalde taak al dan niet aankunt.

#### ⚠ WAARSCHUWING

Verkeerd uitgevoerd onderhoud kan leiden tot onveilige situaties.

Als de onderhoudsinstructies en voorzorgsmaatregelen niet juist worden gevolgd, kan dat leiden tot ernstig letsel of de dood.

Volg altijd de procedures en voorzorgsmaatregelen in deze instructiehandleiding.

### VEILIGHEIDSVORZORGEN

- Schakel de motor uit voordat u begint met onderhoud of een reparatie. Haal de bougiekop los van de bougie om onbedoeld starten te voorkomen. Daarmee neemt u enkele potentiële risico's weg:
  - **Koolmonoxidevergiftiging door motoruitlaatgassen.**  
Gebruik de motor buiten, uit de buurt van open ramen en deuren.
  - **Brandwonden door hete onderdelen.**  
Laat de motor en het uitlaatsysteem afkoelen voordat u deze aanraakt.
  - **Letsel door bewegende onderdelen.**  
Schakel de motor pas in als de instructie dat aangeeft.
- Lees de instructies voordat u begint en controleer of u het vereiste gereedschap en de deskundigheid bezit.
- Wees voorzichtig wanneer u met LPG werkt om het risico op brand of explosie te verminderen. Gebruik een niet-ontvlambaar oplosmiddel en geen benzine om onderdelen te reinigen. Blijft met een brandende sigaret, vonken of open vuur uit de buurt van alle onderdelen van het brandstofsysteem.

Denk eraan dat een erkende Honda-onderhoudsdealer uw motor het beste kent en goed is uitgerust om deze te onderhouden en te repareren. Gebruik voor de beste kwaliteit en betrouwbaarheid alleen nieuwe originele Honda- of gelijkwaardige onderdelen ter reparatie en vervanging.

## ONDERHOUDSSCHEMA

NORMAAL ONDERHOUDSINTERVAL (1) Uitvoeren volgens het aangegeven interval in maanden of bedrijfsuren, welke het eerste komt.		Elk gebruik	Eerste maand of 20 uur	Iedere 3 maanden of 50 uur	Iedere 6 maanden of 100 uur	Elk jaar of 300 uur	Raadpleeg pagina
<b>ONDERDEEL</b>							
Motorolie	Peil controleren	o					7
	Verversen		o		o		
Luchtfilter	Controleren	o					8
	Reinigen			o (2)			8
	Vervangen					o	
Bougie	Controleren-afstellen				o		9
	Vervangen					o	
Stationair toerental	Controleren-afstellen					o (3)	9
Klepspel	Controleren-afstellen					o (3)	Werkplaats-handboek
Verbrandingskamer	Reinigen	Na elke 500 uur (3)					Werkplaats-handboek
Nuldrukregelaar	Controleren-reinigen	Iedere 2 jaar of 300 uur (Onderdelen indien nodig vervangen)(3)(4)					Werkplaats-handboek
Brandstofslang Afsluitslang Ontluchtingsslang	Controleren	Elke 2 jaar (Indien nodig vervangen) (3)(4)					Werkplaats-handboek

- (1) Houd bij commerciële toepassingen het aantal bedrijfsuren schriftelijk bij, om het correcte onderhoudsinterval te kunnen bepalen.
- (2) Voer vaker onderhoud uit wanneer u in een stoffige omgeving werkt.
- (3) Onderhoud op deze punten moet worden uitgevoerd door uw onderhoudsdealer, als u niet over het juiste gereedschap beschikt en geen ervaren monteur bent. Zie het Honda-werkplaatshandboek voor onderhoudsprocedures.
- (4) Controleer op scheuren en beschadiging. Vervang indien nodig.

Als dit onderhoudsschema niet wordt opgevolgd, kan dit leiden tot defecten die niet door de garantie worden gedekt.

## BRANDSTOF TANKEN

### Aanbevolen brandstof

Propan	Butaan
30%	70%
40%	60%
50%	50%
60%	40%
70%	30%

Deze motor is alleen vrijgegeven voor gebruik met LPG.

De motor start mogelijk niet bij een temperatuur van 0°C of lager afhankelijk van de samenstelling en resterende hoeveelheid van het gas in de LPG-fles.

Soms kunt u een licht "detoneren" of "pingelen" (een metalig kloppend geluid) horen terwijl de motor onder zware belasting draait. Dit is geen reden tot zorg.

Als detoneren of pingelen optreedt bij stabiele motortoerentallen, onder normale belasting, neem dan contact op met een erkende Honda-onderhoudsdealer.

#### ⚠ ATENTIE

*Als de motor draait terwijl deze aanhoudend pingelt of detoneert, kan er motorschade ontstaan.*

*Het laten draaien van de motor terwijl deze aanhoudend pingelt of detoneert wordt beschouwd als misbruik; de dealergarantie (Distributor's Limited Warranty) dekt geen onderdelen die beschadigd zijn door misbruik.*

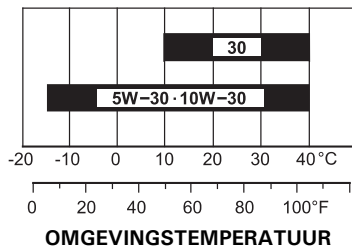
## MOTOROLIE

Olie heeft een belangrijke invloed op de prestaties en de levensduur.

Gebruik olie voor 4-takt automotoren met reinigende eigenschappen die is ontwikkeld voor motoren die op LPG draaien.

### Aanbevolen olie

Gebruik 4-taktmotorolie die voldoet aan de eisen voor API-classificatie SE of hogere klasse (of gelijkwaardig). Controleer altijd het API-servicelabel op de olieverpakking om te zien of de aanduidingen SE of hogere klasse (of gelijkwaardig) vermeld staan.

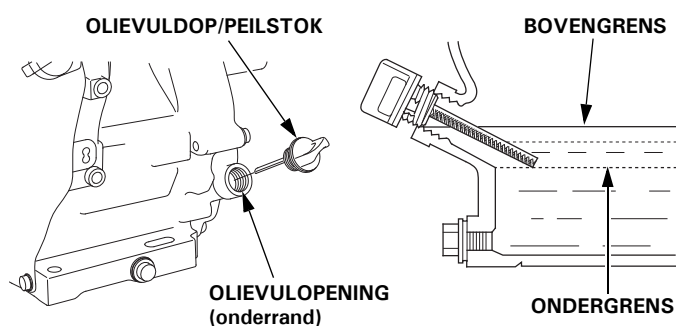


SAE 10W-30 is voorgeschreven voor algemeen gebruik. Andere viscositeitsklassen die in het schema staan aangegeven, kunt u gebruiken als de gemiddelde temperatuur in uw omgeving binnen het aangeduide bereik ligt.

### Olieniveau controleren

Controleer het motoroliepeil terwijl de motor is uitgeschakeld en horizontaal staat.

1. Verwijder de olievuldop/peilstok en veeg deze schoon.
2. Steek de brandstofvuldop/peilstok in de opening zoals afgebeeld, maar schroef deze niet vast, en haal hem er weer uit om het oliepeil te controleren.
3. Als het olieniveau bij of beneden de onderste peilstreep op de peilstok staat, vul dan bij met aanbevolen olie tot aan de bovenste peilstreep (onderrand van de olieulopening). Laat de tank niet overlopen.
4. Plaats de olievuldop/peilstok terug.



### ATENTIE

Als de motor draait met een te laag oliepeil, kan er motorschade ontstaan. Dit soort schade valt niet onder de garantie.

Het Oil Alert-systeem (betreffende uitvoeringen) schakelt de motor automatisch uit voordat het oliepeil daalt tot beneden de veilige grenswaarde. Vermijd het ongemak van onverwacht uitschakelen door het motoroliepeil altijd te controleren voordat u de motor start.

## Olie verversen

Tap de verbruikte olie af terwijl de motor warm is. Warme olie stroomt snel en gemakkelijk uit de motor.

1. Plaats een geschikte opvangbak onder de motor om de verbruikte olie op te vangen en verwijder dan de olievuldop/peilstok, de olieaftapplug en de ring.
  2. Laat de verbruikte olie helemaal uitstromen, breng dan de olieaftapplug en een nieuwe ring aan en draai de olieaftapplug stevig vast.
- Voer verbruikte motorolie op correcte wijze af, zodat u het milieu geen schade toebrengt. We raden aan om de verbruikte olie voor verdere verwerking in een afgesloten verpakking af te leveren bij uw plaatselijk inzamelstation voor hergebruik. Gooi de olie niet weg bij het huisvuil en giet deze niet op de grond of in het riool.
3. Vul met de motor in horizontale positie de aanbevolen olie bij tot aan de bovenste peilstreep (onderrand van de olieulopening) op de peilstok.

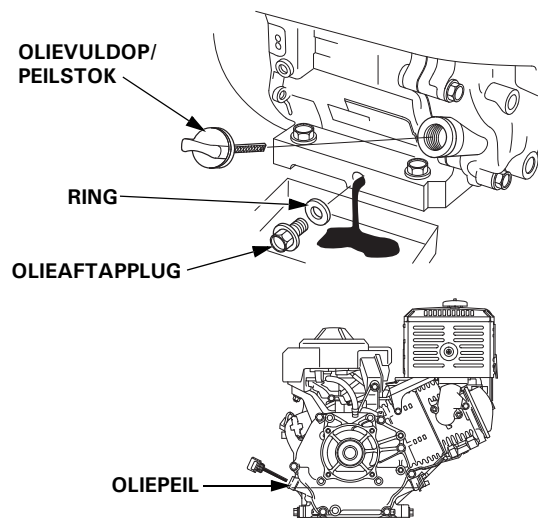
Capaciteit motorolie: GX200: 0,6 L  
GX390: 1,1 L

### ATENTIE

Als de motor draait met een te laag oliepeil, kan er motorschade ontstaan. Dergelijke schade wordt niet gedekt door de dealergarantie (Distributor's Limited Warranty).

Het Oil Alert-systeem (betreffende uitvoeringen) schakelt de motor automatisch uit voordat het oliepeil daalt tot beneden de veilige grenswaarde. Vermijd het ongemak van onverwacht uitschakelen door bij te vullen tot het bovenste motoroliepeil en het niveau regelmatig te controleren.

4. Breng de olievuldop/peilstok weer aan en zet stevig vast.



Was uw handen met water en zeep nadat u met afgewerkte olie in aanraking bent gekomen.

### ATENTIE

Voer verbruikte motorolie op correcte wijze af, zodat u het milieu geen schade toebrengt. U dient de olie in een afgesloten verpakking bij een daarvoor bestemd inzamelpunt in te leveren. Gooi de olie niet weg bij het huisvuil en giet deze niet op de grond of in het riool.

## LUCHTFILTER

Een vervuild luchtfilter belemmert de luchtstroming naar het mengstuk, waardoor de motor minder goed presteert. Als u de motor in een erg stoffige omgeving gebruikt, reinig het luchtfilter dan vaker dan staat aangegeven in het ONDERHOUDSSCHEMA (zie pagina 6).

### ATENTIE

*Als de motor draait zonder luchtfilter of met een beschadigd luchtfilter, komt er vuil in de motor, wat snelle slijtage van de motor veroorzaakt. Dergelijke schade wordt niet gedekt door de dealergarantie (Distributor's Limited Warranty).*

### Inspectie

Verwijder het luchtfilterdeksel en inspecteer de luchtfilterelementen.

Reinig of vervang vervuilde luchtfilterelementen. Vervang beschadigde luchtfilterelementen altijd.

### Reinigen

1. Verwijder de luchtfilterdekselmoer van het luchtfilterdeksel en verwijder het deksel.

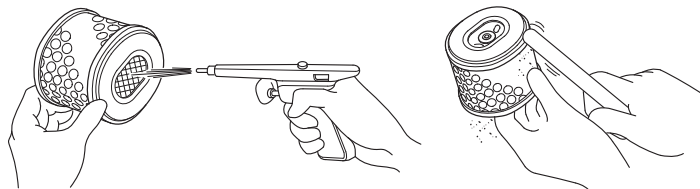
2. Verwijder de vleugelmoer van het luchtfilter en neem het filter uit.

3. Verwijder het schuimrubberen luchtfilterelement uit het papieren luchtfilterelement.

4. Controleer beide luchtfilterelementen en vervang ze als ze beschadigd zijn. Vervang het papieren luchtfilterelement altijd volgens de interval in het onderhoudsschema (zie pagina 6).

5. Reinig de luchtfilterelementen als u ze opnieuw gebruikt.

Papiereen luchtfilterelement: tik een paar keer met het filterelement op een hard oppervlak om vuil te verwijderen, of blaas met perslucht [maximale druk 207 kPa (2,1 kgf/cm<sup>2</sup>)] het filterelement vanaf de binnenzijde door. Borstel vuil nooit weg, u drukt de vuildeeltjes zo in de vezelstructuur.



### MOER LUCHTFILTERDEKSEL

### LUCHTFILTERDEKSEL

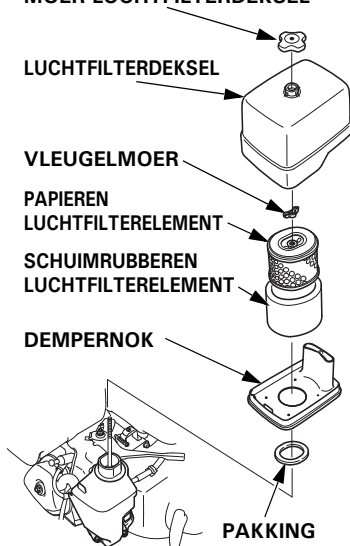
### VLEUGELMOER

### PAPIEREN LUCHTFILTERELEMENT

### SCHUIMRUBBEREN LUCHTFILTERELEMENT

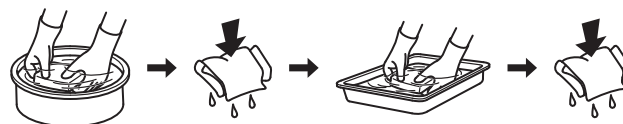
### DEMPERNOK

### PAKKING



Schuim luchtfilterelement: Reinig in een warm zeepsopje, spoel met schoon water en laat dan grondig drogen. Of reinig in een niet-ontvlambaar oplosmiddel en laat vervolgens drogen. Drenk het filterelement in schone motorolie en knijp vervolgens alle overtollige olie uit. De motor zal bij de eerstvolgende start veel rook afgeven als er te veel olie in het schuimrubber achterblijft.

**Reinigen**    **Uitknijpen en drogen**    **In olie dompelen**    **Uitknijpen**  
Niet draaien.    Niet draaien.



6. Veeg met een vochtige doek vuil weg van de binnenkant van het luchtfilterhuis en het filterdeksel. Ga voorzichtig te werk en voorkom dat vuil vanuit de luchtbus het mengstuk binnendringt.
7. Plaats het schuimrubberen luchtfilterelement over het papieren luchtfilterelement en breng het zo samengebouwde luchtfilter aan. Controleer of de pakking onder het luchtfilter aanwezig is. Zet de vleugelmoer stevig vast.
8. Breng het luchtfilterdeksel aan en draai de moer van het luchtfilterdeksel stevig vast.



**BOUGIE**

**Aanbevolen bougies: GX200: BPR6ES-5 (NGK)  
GX390: BP6ES (NGK)**

De aanbevolen bougie heeft de correcte warmtegraad voor de normale bedrijfstemperatuur van de motor.

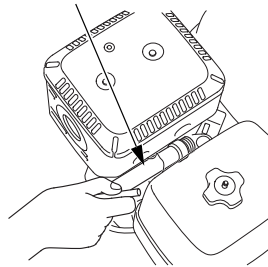
**ATENTIE**

*Het gebruik van een verkeerde bougie kan de motor beschadigen.*

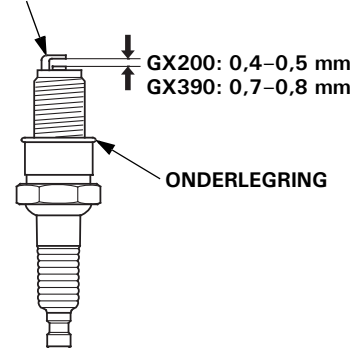
Als de motor gedraaid heeft, laat deze dan eerst afkoelen voordat u onderhoud aan de ontstekingsbougie uitvoert.

Voor een goede werking moet de bougie de juiste elektrodenafstand hebben en mag er geen aanslag op aanwezig zijn.

1. Haal de bougiedop los van de bougie en verwijder eventueel vuil direct rondom de bougie.
2. Verwijder de bougie met een bougiesleutel.
3. Inspecteer de bougie. Vervang deze als hij beschadigd of erg vervuild is, als de onderlegging in slechte conditie is of als de elektrode versleten is.

**BOUGIESLEUTEL**

4. Meet de elektrodenafstand met een voelmaat van het draadtype. Corrigeer de elektrodenafstand zo nodig door de zijelektrode voorzichtig iets te buigen. De elektrodenafstand moet zijn:  
GX200: 0,4–0,5 mm  
GX390: 0,7–0,8 mm

**ZIJELEKTRODE**

5. Monteer de bougie zorgvuldig met de hand, om beschadiging van de schroefdraad te voorkomen.
6. Trek de bougie nadat deze aanligt nog iets na met een bougiesleutel om de afdichtring vast te zetten.

Bij het monteren van een nieuwe bougie moet deze nadat hij aanligt nog 1/2 slag extra worden aangedraaid om de ring samen te drukken.

Bij het opnieuw monteren van de oude bougie moet deze nadat hij aanligt nog 1/8–1/4 slag extra worden aangedraaid om de ring vast te zetten.

**KOPPEL:** 18 N·m (1,8 kgf·m)

**ATENTIE**

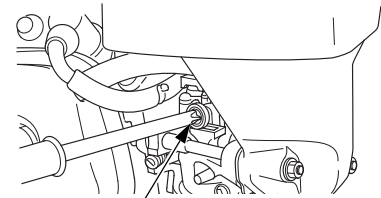
*Door een losse bougie kan de motor oververhit raken en schade oplopen.*

*Als de bougie te strak wordt vastgedraaid, kan de schroefdraad in de cilinderkop worden beschadigd.*

7. Bevestig de bougiedop op de bougie.

**STATIONAIR TOERENTAL****Aanpassen**

1. Start de motor buitenshuis en laat warmdraaien tot de normale bedrijfstemperatuur.
2. Zet de gashendel in de minimumstand.
3. Draai de gasklepaanslagschroef om het juiste stationair toerental te verkrijgen.

**AANSLAGSCHROEF GASKLEP**

Standaard stationair toerental: GX200: 1.400 + 200 min<sup>-1</sup>(rpm)  
- 150 min<sup>-1</sup>(rpm)  
GX390: 1.400 ± 150 min<sup>-1</sup>(rpm)

## HANDIGE TIPS & SUGGESTIES

### UW MOTOR STALLEN

#### Voorbereiding op stalling

Stop de motor en sluit de LPG-toevoerklep. Zet bij modellen voor Indonesië de lagedrukregelaar los alvorens de slang te verwijderen. Correct stallen is van groot belang om uw motor in storingsvrije conditie te houden en er goed te laten uitzien. Met de volgende stappen voorkomt u dat roest en corrosie de werking en de aanblik van uw motor verslechteren en zal de motor de volgende keer weer gemakkelijk starten.

#### Reinigen

Als de motor heeft gedraaid, laat dan minstens een half uur afkoelen voordat u gaat reinigen. Reinig de motor aan de buitenzijde, werk beschadigde lak bij en smeer andere gedeeltes die kunnen roesten licht in met olie.

#### ATENTIE

*Door te reinigen met water uit een tuinslang of met een hogedrukreiniger, kan er water in het luchtfilter of in de uitlaatdemperopening dringen. Water in het luchtfilter wordt opgezogen door het luchtfilterelement en water dat zo het luchtfilter of de uitlaatdemper passeert kan in de cilinder terechtkomen en schade veroorzaken.*

#### Motorolie

1. Ververs de motorolie (zie pagina 7).

#### Motorcilinder

1. Verwijder de bougie.
2. Giet een theelepel 5–10 cm<sup>3</sup> schone motorolie in de cilinder.
3. Trek een paar keer aan het startkoord om de olie in de cilinder te verdelen.
4. Breng de bougie weer aan.
5. Trek het startkoord langzaam uit totdat u weerstand voelt. Hiermee sluit u de kleppen, zodat er geen vocht in de motorcilinder kan dringen. Laat de starterhandgreep rustig terugrollen.
6. Dek de motor af om stof buiten te houden.

#### Voorzorgen bij stalling

Kies een goed geventileerde stallingruimte, op ruime afstand van apparatuur met open vuur zoals een fornuis, een waterverwarmer of een kledingdroger. Vermijd ook een plek met een elektromotor die vonken produceert of waar elektrisch gereedschap wordt gebruikt.

Kies ook geen stallingruimte die erg vochtig is, want vocht bevordert roest en corrosie.

Zet de motor horizontaal neer bij het stallen. Door te kantelen kan er oliekkage ontstaan.

Dek de motor af nadat de motor en het uitlaatsysteem zijn afgekoeld, om stof buiten te houden. Een warme motor en uitlaatsysteem kunnen sommige materialen doen ontbranden of smelten. Gebruik geen plastic folie als afdekking tegen stof. Onder zo'n niet-doorlatende afdekking blijft vocht rondom de motor achter en verloopt roestvorming en corrosie sneller.

#### Uit stalling nemen

Controleer uw motor zoals beschreven in de paragraaf **GEBRUIKSCONTROLES VOORAF** in deze handleiding (zie pagina 3).

Als de cilinder ter voorbereiding op stalling werd geolied, zal de motor kort roken bij de eerste start. Dit is normaal.

#### TRANSPORT

Als de motor heeft gedraaid, laat dan eerst minstens 15 minuten afkoelen voordat u de motor op het transportvoertuig zet. Een hete motor en uitlaatsysteem kunnen brandwonden veroorzaken en materialen doen ontbranden.

Voorafgaand aan transport van de motor moet de LPG-slang worden losgekoppeld.

U moet de LPG-slang loskoppelen.

## ONVERWACHTE PROBLEMEN OPLOSSEN

### MOTOR WIL NIET STARTEN

Mogelijke oorzaak	Correctie
Motorschakelaar OFF (UIT).	Draai motorschakelaar in stand ON (AAN).
Geen brandstof.	Tanken (p. 6).
Motoroliepeil laag (uitvoeringen met Oil Alert).	Vul bij met aanbevolen olie tot juiste niveau (pagina 7).
Bougie defect, vuil of met verkeerde elektrodenafstand.	Pas elektrodenafstand aan of vervang bougie (p. 9).
Storing in mengstuk, storing in ontsteking, kleppen vast, etc.	Breng de motor naar uw onderhoudsdealer of raadpleeg het werkplaatshandboek.

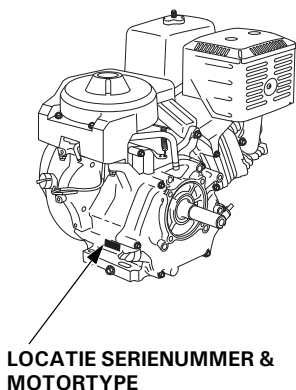
### MOTOR HEEFT GEEN VERMOGEN

Mogelijke oorzaak	Correctie
Filterelement(en) verstopt.	Reinig of vervang de filterelement(en) (p. 8).
Slechte brandstofkwaliteit of druk.	Gebruik een betrouwbare LPG-bron.
Storing in mengstuk, storing in ontsteking, kleppen vast, etc.	Breng de motor naar uw onderhoudsdealer of raadpleeg het werkplaatshandboek.

## TECHNISCHE INFORMATIE

### Locatie serienummer

Noteer het motorserienummer in de ruimte hieronder. U heeft deze informatie nodig bij het bestellen van onderdelen en bij vragen over technische kwesties of over de garantie.



Motorserienummer: \_\_\_\_\_

Motortype: \_\_\_\_\_

Aanschafdatum: \_\_\_\_ / \_\_\_\_ / \_\_\_\_

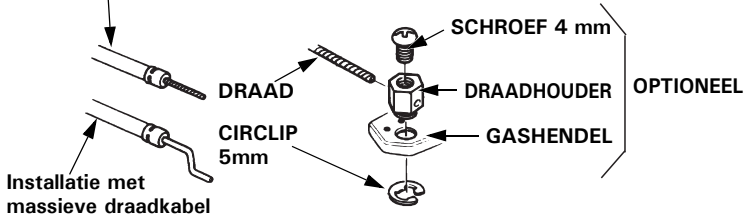
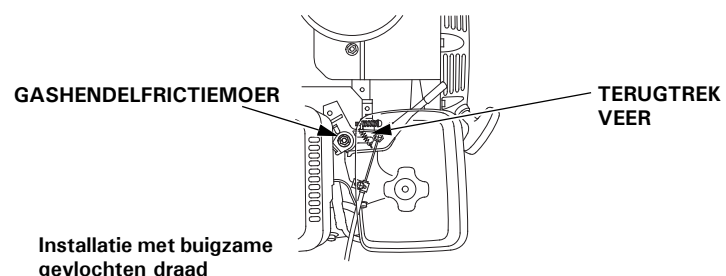
### Verbinding voor externe bediening

De gashendel is voorzien van een gat voor bevestiging van een optionele kabel. De volgende afbeeldingen tonen installatievoorbeelden van een massieve draadkabel en een kabel met buigzame gevlochten draad.

Als u de kabel met buigzame gevlochten draad gebruikt, voeg dan zoals getoond een terugtrekveer toe.

De gashendelfrictiemoer moet u losdraaien als u de gashendel gebruikt met een externe bediening.

### VERBINDING VOOR EXTERNE GASBEDIENING



### Bedrijf op grote hoogtes

Voor bedrijf op grote hoogtes hoeven geen aanpassingen te worden verricht aan de LPG-motor. Op grote hoogtes zullen de prestaties en het vermogen echter wel afnemen.

### Specificaties

#### GX200 (PTO-as, type Q)

lengte × breedte × hoogte	321 × 376 × 335 mm
Drooggewicht [gewicht]	16,0 kg
Motortype	4-takt, bovenliggende klep, enkele cilinder
Cilinderinhoud [boring × slag]	196 cm <sup>3</sup> (68,0 × 54,0 mm)
Nettovermogen (in overeenstemming met SAE J1349*)	4,1 kW (5,6 pk) bij 3.600 min <sup>-1</sup> (rpm)
Max. nettokoppel (in overeenstemming met SAE J1349*)	12,4 N·m (1,26 kgf·m) bij 2.500 min <sup>-1</sup> (rpm)
Capaciteit motorolie	0,6 L
Koelsysteem	Geforceerde lucht
Ontstekingsstelsel	Magneto-transistor
Draaiing PTO-as	Linksom

#### GX390 (PTO-as, type Q)

lengte × breedte × hoogte	406 × 460 × 448 mm
Drooggewicht [gewicht]	30,7 kg
Motortype	4-takt, bovenliggende klep, enkele cilinder
Cilinderinhoud [boring × slag]	389 cm <sup>3</sup> [88,0 × 64,0 mm]
Nettovermogen (in overeenstemming met SAE J1349*)	7,9 kW (10,7 pk) bij 3.600 min <sup>-1</sup> (rpm)
Max. nettokoppel (in overeenstemming met SAE J1349*)	24,0 N·m (2,45 kgf·m) bij 2.500 min <sup>-1</sup> (rpm)
Capaciteit motorolie	1,1 L
Koelsysteem	Geforceerde lucht
Ontstekingsstelsel	CDI magneto
Draaiing PTO-as	Linksom

\* Het nominale vermogen van de motor dat staat vermeld in dit document is het netto geleverd vermogen zoals getest aan een productiemotor voor het betreffende model, gemeten in overeenstemming met SAE J1349 bij 3.600 min<sup>-1</sup>(rpm) (nettovermogen) en bij 2.500 min<sup>-1</sup>(rpm) (Max. nettokoppel). Het geleverd vermogen van massaproductiemotoren kan hiervan afwijken. Het feitelijk geleverd vermogen voor de motor die uiteindelijk in het chassis wordt ingebouwd, kan afhangen van talloze factoren, zoals het toerental van de motor in de praktijk, de omgevingsomstandigheden, het onderhoud en andere variabelen.

### Afstelspecificaties

#### GX200

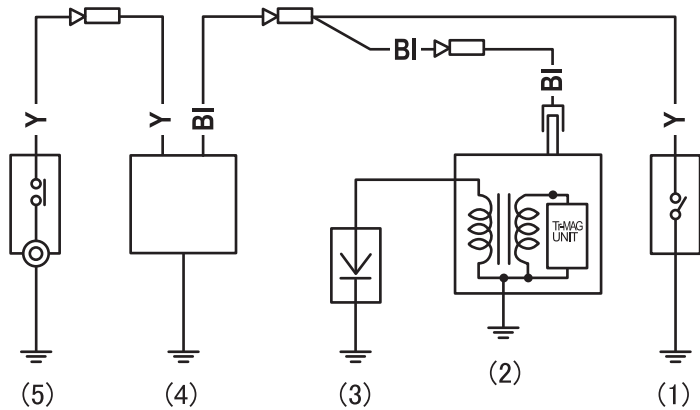
ONDERDEEL	SPECIFICATIE	ONDERHOUD
Elektrodenafstand	0,4–0,5 mm	Raadpleeg pagina: 9
Stationair toerental	1.400 + 200 min <sup>-1</sup> (rpm) – 150 min <sup>-1</sup> (rpm)	
Klepspel (koud)	IN: 0,15 ± 0,02 mm UIT: 0,20 ± 0,02 mm	Raadpleeg uw geautoriseerde Honda-dealer
Overige specificaties	Geen andere afstellingen nodig.	

#### GX390

ONDERDEEL	SPECIFICATIE	ONDERHOUD
Elektrodenafstand	0,7–0,8 mm	Raadpleeg pagina: 9
Stationair toerental	1.400 ± 150 min <sup>-1</sup> (rpm)	
Klepspel (koud)	IN: 0,15 ± 0,02 mm UIT: 0,20 ± 0,02 mm	Raadpleeg uw geautoriseerde Honda-dealer
Overige specificaties	Geen andere afstellingen nodig.	

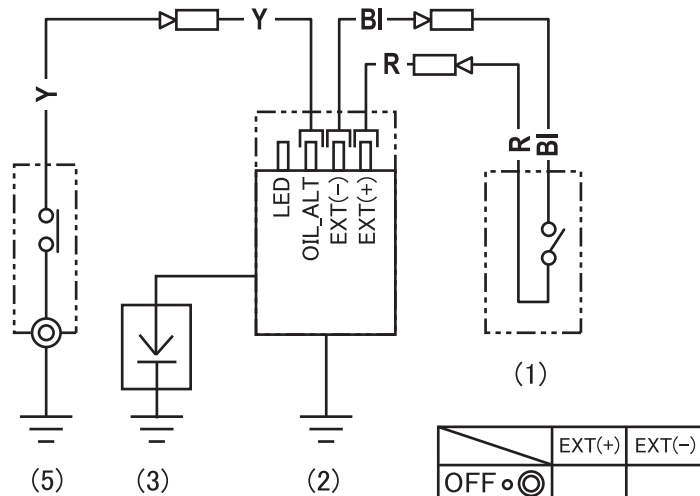
**Bedradingschema's**

**GX200**



	IGN	EARTH
OFF ●	○	○
ON ○	□	

**GX390**



	EXT(+)	EXT(-)
OFF ●		
ON ○	○	○

- (1) MOTORSCHAKELAAR
- (2) BOBINE
- (3) BOUGIE
- (4) OIL ALERT-EENHEID
- (5) OLIEPEILSCHAKELAAR

BI	Zwart
Y	Geel
R	Rood

**GEBRUIKERSINFORMATIE**

**INFORMATIE OVER DISTRIBUTEUR-/DEALERZOEKFUNCTIE**

Bezoek onze website: <http://www.honda-engines-eu.com>

**KLANTENSERVICE-INFORMATIE**

De onderhoudsmonteurs bij uw dealerverstiging zijn goed opgeleide vakmensen. Zij zullen vrijwel elke vraag waarmee u zit kunnen beantwoorden. Als u een probleem heeft dat uw dealer niet naar tevredenheid oplost, bespreek dit dan met het management van de dealerverstiging. De werkplaatsmanager, algemeen manager of de eigenaar kunnen u helpen.

Vrijwel alle problemen worden op deze wijze opgelost.

Als u niet tevreden bent met een beslissing van het management van de dealerverstiging, neem dan contact op met het vermelde Honda kantoor.

**< Honda-kantoor >**

Als u schrijft of belt, geef dan de volgende informatie door:

- De naam van de fabrikant en het modelnummer van de apparatuur waaraan de motor is gemonteerd
- Motoruitvoering, serienummer en type (zie pagina 11)
- Naam van de dealer die de motor aan u verkocht
- Naam, adres en contactpersoon van de dealer die het onderhoud aan uw motor verricht
- Aanschafdatum
- Uw naam, adres en telefoonnummer
- Een gedetailleerde beschrijving van het probleem

**Honda Motor Europe Logistics NV.**

European Engine Center

<http://www.honda-engines-eu.com>

Neem contact op met de Honda dealer in uw gebied voor assistentie.

**HONDA**

## INTRODUZIONE

Vi ringraziamo per aver acquistato un motore Honda. Desideriamo aiutarvi ad ottenere i migliori risultati e ad azionare con sicurezza il vostro nuovo motore. Questo manuale contiene informazioni su come farlo: vi preghiamo di leggerlo con attenzione prima di azionare il motore. In caso di problemi o domande, rivolgersi al concessionario.

Tutte le informazioni contenute in questa pubblicazione si basano sulle più recenti informazioni sul prodotto disponibili al momento della stampa. Honda Motor Co., Ltd. si riserva il diritto di apportare modifiche in qualunque momento senza preavviso e senza incorrere in alcun obbligo. Nessuna parte di questo manuale può essere riprodotta senza autorizzazione scritta.


Questo manuale deve essere considerato parte integrante del motore e deve accompagnare il motore in caso di successiva rivendita.

Consigliamo di leggere la polizza di garanzia per comprendere a fondo la copertura offerta e le responsabilità derivanti dalla proprietà.

Rivedere le istruzioni fornite con l'apparecchiatura alimentata da questo motore per ulteriori informazioni riguardanti l'avviamento, lo spegnimento, il funzionamento, le regolazioni o eventuali istruzioni specifiche di manutenzione del motore stesso.

## MESSAGGI RIGUARDANTI LA SICUREZZA

La sicurezza propria e degli altri è molto importante. Sia il manuale sia il motore sono provvisti di importanti messaggi di sicurezza. Leggere questi messaggi con attenzione.

Un messaggio di sicurezza avvisa della presenza di potenziali pericoli che possono provocare lesioni a sé e ad altri. Ciascun messaggio di sicurezza è preceduto dal simbolo di allarme  e da uno dei tre termini seguenti: PERICOLO, ATTENZIONE o AVVERTENZA.

Queste parole significano:

### PERICOLO

La mancata osservanza di queste istruzioni PROVOCA GRAVI LESIONI o la MORTE.

### ATTENZIONE

La mancata osservanza di queste istruzioni POTREBBE PROVOCARE GRAVI LESIONI o la MORTE.

### AVVERTENZA

La mancata osservanza di queste istruzioni POTREBBE PROVOCARE GRAVI LESIONI.

Ogni singolo messaggio spiega il tipo di pericolo, cosa può succedere e cosa si può fare per evitare o ridurre i danni.

## MESSAGGI DI PREVENZIONE DEI DANNI

Esistono inoltre altri importanti messaggi preceduti dal termine AVVISO.

Il significato di questo termine è il seguente:

### AVVISO

Il mancato rispetto delle istruzioni potrebbe provocare danni al motore o ad altre proprietà.

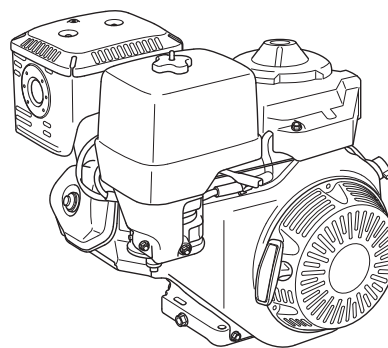
Lo scopo di tali messaggi è quello di aiutare a prevenire danni al motore, ad altre proprietà o all'ambiente.

# HONDA

## MANUALE DELL'UTENTE

### GX200 • GX390

## Motore alimentato a GPL



Le illustrazioni fanno riferimento al modello: PTO albero motore tipo Q.

• Le illustrazioni possono variare in base al tipo di macchina.

## INDICE

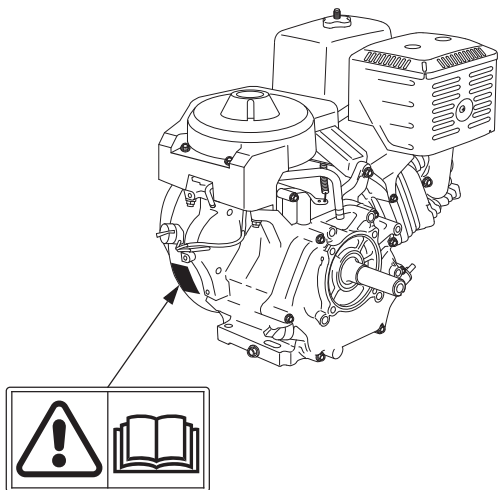
INTRODUZIONE .....	1	FILTRO ARIA.....	8
MESSAGGI RIGUARDANTI		Controllo.....	8
LA SICUREZZA .....	1	Pulizia.....	8
INFORMAZIONI SULLA		CANDELA .....	9
SICUREZZA .....	2	REGIME DI MINIMO .....	9
UBICAZIONE DELLE		CONSIGLI E	
ETICHETTE DI SICUREZZA ...	2	SUGGERIMENTI UTILI .....	10
UBICAZIONE DEI		RIMESSAGGIO DEL	
COMPONENTI E DEI		MOTORE .....	10
COMANDI .....	2	TRASPORTO .....	10
CARATTERISTICHE .....	2	TRATTAMENTO DEI	
PREPARAZIONE .....	3	PROBLEMI IMPREVISTI.....	10
CONTROLLI PRIMA		INFORMAZIONI TECNICHE ...	11
DELL'USO .....	3	Ubicazione del numero di	
FUNZIONAMENTO .....	4	serie.....	11
PRECAUZIONI PER UN		Collegamento comando a	
USO SICURO .....	4	distanza.....	11
AVVIAMENTO DEL		Uso del motore ad	
MOTORE.....	4	altitudini elevate .....	11
ARRESTO DEL MOTORE ...	5	Specifiche.....	11
IMPOSTAZIONE DEL		Specifiche per la messa a	
REGIME DEL MOTORE .....	5	punto .....	11
MANUTENZIONE DEL		Schemi elettrici.....	12
MOTORE.....	6	INFORMAZIONI PER	
IMPORTANZA DELLA		L'UTILIZZATORE .....	12
MANUTENZIONE.....	6	INFORMAZIONI PER	
SICUREZZA DURANTE LA		L'INDIVIDUAZIONE DI UN	
MANUTENZIONE.....	6	DISTRIBUTORE/	
PRECAUZIONI DI		CONCESSIONARIO .....	12
SICUREZZA .....	6	INFORMAZIONI	
PROGRAMMA DI		SULL'ASSISTENZA	
MANUTENZIONE .....	6	CLIENTI .....	12
RIFORNIMENTO .....	6		
OLIO MOTORE.....	7		
Olio consigliato .....	7		
Controllo del livello			
dell'olio .....	7		
Cambio dell'olio.....	7		

## INFORMAZIONI SULLA SICUREZZA

- È essenziale comprendere il funzionamento di tutti i comandi e apprendere come arrestare rapidamente il motore in caso di emergenza. Assicurarsi che l'operatore riceva la formazione adeguata prima di azionare l'apparecchiatura.
- Non consentire ai bambini di azionare il motore. Tenere a distanza i bambini e gli animali domestici durante il funzionamento.
- Gli scarichi del motore contengono monossido di carbonio che è una sostanza velenosa.  
Non azionare il motore in assenza della ventilazione adeguata e, in ogni caso, mai al chiuso.
- Il motore e lo scarico diventano estremamente caldi durante il funzionamento.  
Mantenere il motore ad almeno 1 metro di distanza da edifici e da altri apparecchi durante l'utilizzo. Tenere lontano da materiali infiammabili e non posizionare nulla sul motore mentre è in funzione.
- Il GPL è estremamente infiammabile e combustibile. Effettuare il rifornimento all'aperto, in un luogo ben ventilato e a motore spento. Non fumare in prossimità del GPL e tenere lontane fiamme e scintille.

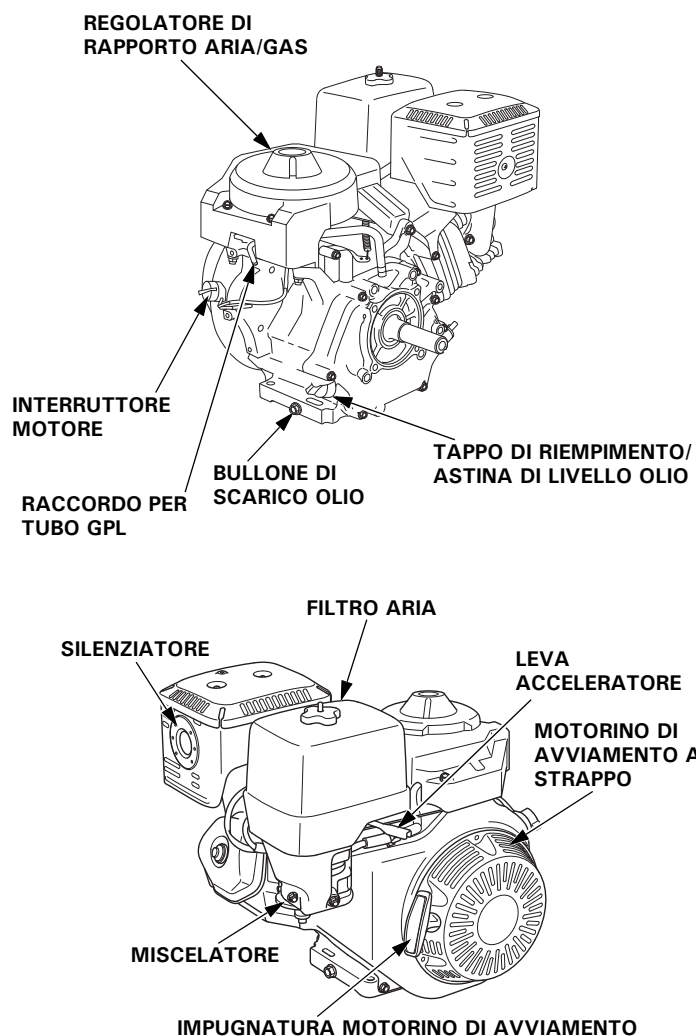
## UBICAZIONE DELLE ETICHETTE DI SICUREZZA

Questa etichetta avverte dei potenziali pericoli che possono causare lesioni gravi. Leggere molto attentamente. Se l'etichetta si stacca o diventa illeggibile, rivolgersi al concessionario di servizio Honda per la sua sostituzione.



Leggere il manuale d'uso prima di azionarlo.

## UBICAZIONE DEI COMPONENTI E DEI COMANDI



## CARATTERISTICHE

### SISTEMA OIL ALERT (tipi applicabili)

Il sistema Oil Alert è progettato per evitare che il motore subisca dei danni dovuti ad una quantità insufficiente di olio nel carter. Prima che il livello dell'olio scenda sotto il limite consentito, il sistema Oil Alert arresta automaticamente il motore (l'interruttore del motore rimane in posizione ON (accensione)).

Se il motore si ferma e non riparte, controllare il livello dell'olio motore (vedere pagina 7) prima di eseguire la ricerca guasti in altre aree.

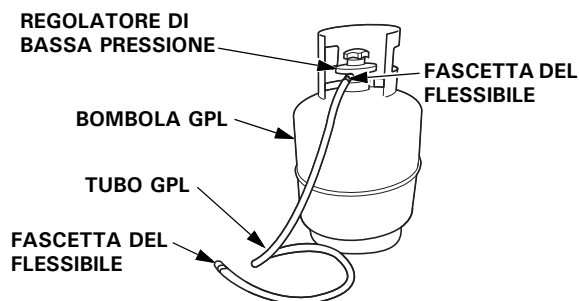
## PREPARAZIONE

### Impianto di alimentazione

Questo motore è alimentato a GPL.

È necessario predisporre una bombola di GPL, un regolatore di bassa pressione, un tubo per GPL e due fascette del flessibile, poiché questi elementi non sono forniti con il motore. Accertarsi di utilizzare parti idonee per l'uso con il GPL.

Tali parti non sono coperte dalla garanzia Honda, pertanto le operazioni di collegamento del motore e di manutenzione competono al cliente.

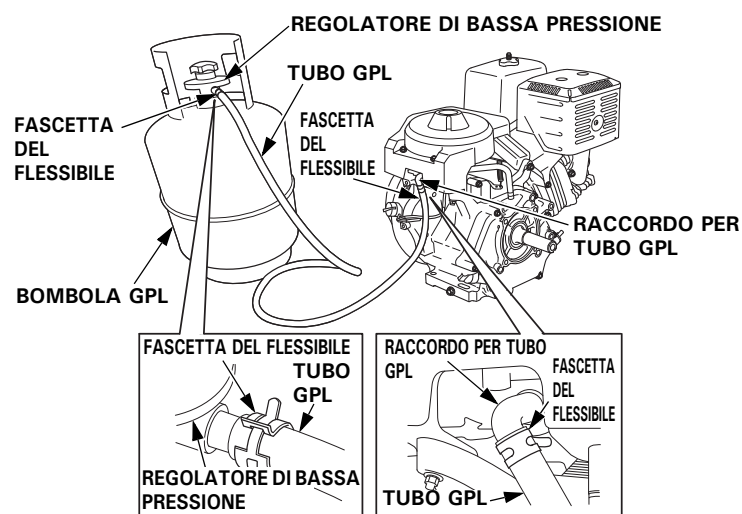


- Utilizzare un tubo specifico per GPL con un diametro interno di 10 mm.
- Utilizzare un tubo per GPL di lunghezza non superiore a 5 metri tra il regolatore di bassa pressione e il motore.
- Quando si maneggia il tubo per GPL, tenere il tubo lontano da bordi e componenti caldi.
- Utilizzare un regolatore di bassa pressione conforme allo standard e alle specifiche di prestazione indicati di seguito.

Standard	Basato su EN 16129
Portata del gas	1,2 kg/h o superiore (GX200) 3,4 kg/h o superiore (GX390)
Valvola per eccesso di portata*	nessuna

\* La valvola per eccesso di portata potrebbe essere descritta come "dispositivo di sicurezza" nel catalogo dei regolatori e altra documentazione.

- Utilizzare un tubo per GPL e fascette del flessibile idonei per l'uso con il GPL.
- Collegare il tubo per GPL al regolatore di bassa pressione della bombola di GPL e al raccordo per il tubo GPL sul motore.
- Quando si collega il tubo per GPL, utilizzare dei fermagli per fissare il tubo stesso.



- Mantenere il motore e la bombola di GPL il più lontano possibile l'uno dall'altra.
- Utilizzare la bombola di GPL in posizione verticale.
- Dopo avere collegato il motore e la bombola di GPL al tubo per GPL, utilizzare acqua saponata per verificare che non vi siano perdite di gas.

## CONTROLLI PRIMA DELL'USO

### IL MOTORE È PRONTO PER FUNZIONARE?

Per la propria sicurezza e per massimizzare la vita utile dell'apparecchiatura, è estremamente importante dedicare alcuni istanti prima dell'accensione del motore alla verifica del suo stato. Occuparsi dei problemi eventualmente individuati o farli risolvere dal concessionario prima di azionare il motore.

### ⚠ ATTENZIONE

Se non si esegue la corretta manutenzione di questo motore o non si corregge un problema prima di utilizzarlo, si rischiano guasti significativi,

Alcuni guasti possono causare gravi lesioni personali o il decesso.

Eseguire sempre i controlli appropriati prima di ogni uso e risolvere gli eventuali problemi riscontrati.

Prima di intraprendere i controlli preliminari, verificare che il motore sia su una superficie piana e che l'interruttore del motore sia in posizione OFF (spegnimento).

Controllare sempre quanto segue prima di avviare il motore:

#### Collegamento del tubo del gas

Questo motore deve essere collegato al tubo per GPL.

#### Controllo perdite di gas e danni del tubo GPL

Applicare acqua saponata al raccordo per il tubo GPL e verificare che non vi siano perdite di gas.

Controllare che il tubo per GPL non sia danneggiato.

Se il tubo per GPL è danneggiato o se si riscontra una perdita di gas, interrompere l'uso del motore. Adottare le misure necessarie per perfezionare il collegamento oppure sostituire le parti, quindi verificare che non vi siano perdite di gas prima di avviare il motore.

#### Controllare lo stato generale del motore

Prima dell'uso, controllare se il motore presenta segni di perdite di olio.

1. Rimuovere sporco o corpi estranei in eccesso, specialmente attorno al silenziatore e al motorino di avviamento a strappo.
2. Verificare se vi sono segni di danni.
3. Controllare che tutte le protezioni e i coperchi siano in posizione e che tutti i dadi, i bulloni e le viti siano serrati.

#### Controllare il motore

Prima dell'uso, controllare se il motore presenta segni di perdite di olio.

1. Controllare il livello dell'olio motore (vedere pagina 7). Azionando il motore con un livello dell'olio basso si rischia di danneggiarlo.

Il sistema Oil Alert (tipi applicabili) fermerà automaticamente il motore prima che l'olio scenda sotto i limiti di sicurezza. Tuttavia, per evitare uno spegnimento inatteso, controllare sempre il livello dell'olio motore prima dell'avviamento.

2. Controllare la cartuccia del filtro aria (vedere pagina 8). Una cartuccia del filtro aria sporca limita il flusso dell'aria al miscelatore, riducendo le prestazioni del motore.
3. Controllare l'apparecchiatura alimentata da questo motore.

Rivedere le istruzioni fornite con l'apparecchiatura alimentata da questo motore per eventuali precauzioni e procedure da seguire prima dell'avviamento del motore.

## FUNZIONAMENTO

### PRECAUZIONI PER UN USO SICURO

Prima di azionare il motore per la prima volta, consultare la sezione **INFORMAZIONI DI SICUREZZA** a pagina 2 e la sezione **CONTROLLI PRIMA DELL'USO** a pagina 3.

Per la propria sicurezza, non azionare il motore in un ambiente chiuso quale un box. I gas di scarico del motore contengono monossido di carbonio, un gas velenoso che può rapidamente saturare un ambiente chiuso e causare disturbi o risultare letale.

### ⚠ ATTENZIONE

I prodotti di scarico contengono monossido di carbonio, un gas tossico che in ambienti chiusi può raggiungere livelli nocivi.

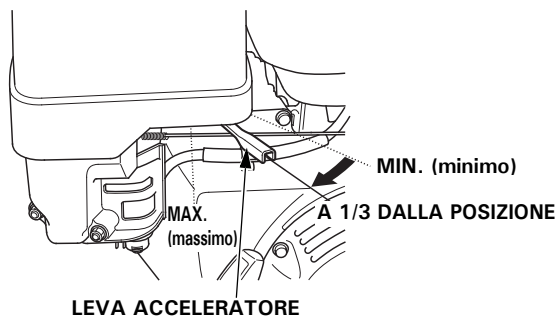
Respirare monossido di carbonio può portare alla perdita di conoscenza o alla morte.

Non azionare mai il motore in un ambiente chiuso o parzialmente chiuso.

Rivedere le istruzioni fornite con l'apparecchiatura alimentata da questo motore per eventuali precauzioni da seguire in occasione dell'avviamento, spegnimento o funzionamento del motore.

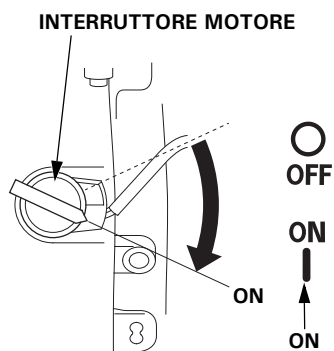
### AVVIAMENTO DEL MOTORE

1. Iniziare a erogare gas.
2. Spostare la leva dell'acceleratore dalla posizione MIN. (minimo) di circa 1/3 verso la posizione MAX. (massimo).



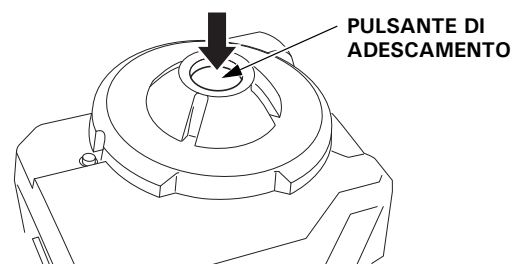
Alcuni motori sono muniti di comando dell'acceleratore remoto invece della leva dell'acceleratore montata sul motore qui rappresentata. Fare riferimento alle istruzioni fornite dal produttore dell'apparecchiatura.

3. Ruotare l'interruttore del motore in posizione ON (accensione).



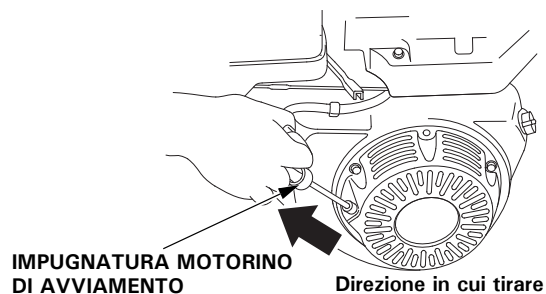
4. La prima volta che si aziona il motore dopo avere collegato il tubo per GPL, o se sono trascorsi due o più giorni dall'ultimo utilizzo del motore, premere il pulsante di adescamento (per circa un secondo).

Se il pulsante di adescamento viene tenuto premuto troppo a lungo, è possibile avviare azionando più volte l'avviamento autoavvolgente.



5. Azionare il motorino di avviamento.

Tirare lentamente l'impugnatura del motorino di avviamento fino ad incontrare resistenza, quindi tirare di scatto verso la direzione indicata dalla freccia in figura. Rilasciare l'impugnatura del motorino di avviamento delicatamente.



### AVVISO

Non lasciare che l'impugnatura del motorino di avviamento ritorni di scatto verso il motore. Riportarla in posizione con cautela per evitare di danneggiare il motorino di avviamento.

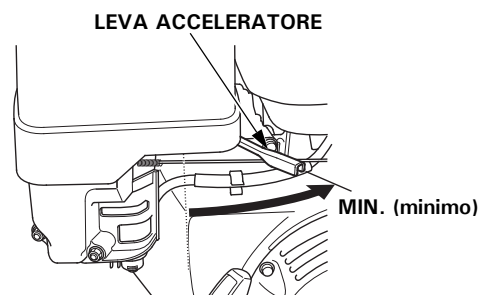


## ARRESTO DEL MOTORE

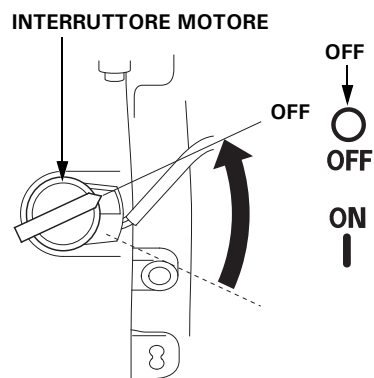
Per fermare il motore in caso di emergenza, portare semplicemente l'interruttore del motore in posizione OFF (spegnimento). In condizioni normali, utilizzare la procedura seguente. Fare riferimento alle istruzioni fornite dal produttore dell'apparecchiatura.

1. Spostare la leva dell'acceleratore sulla posizione MIN. (minimo).

Alcuni motori sono muniti di comando dell'acceleratore remoto invece della leva dell'acceleratore montata sul motore qui rappresentata.



2. Portare l'interruttore del motore in posizione OFF (spegnimento).



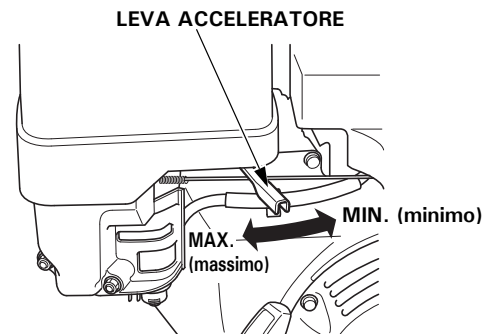
3. Interrompere l'erogazione del gas.

## IMPOSTAZIONE DEL REGIME DEL MOTORE

Posizionare la leva dell'acceleratore in base al regime motore desiderato.

Alcuni motori sono muniti di comando dell'acceleratore remoto invece della leva dell'acceleratore montata sul motore qui rappresentata. Fare riferimento alle istruzioni fornite dal produttore dell'apparecchiatura.

Per i consigli sul regime del motore, fare riferimento alle istruzioni fornite con l'apparecchiatura azionata da questo motore.



## MANUTENZIONE DEL MOTORE

### IMPORTANZA DELLA MANUTENZIONE

Un'adeguata manutenzione è essenziale per il funzionamento sicuro, economico e senza problemi. Inoltre, consente di ridurre l'inquinamento.

#### ATTENZIONE

Se non si esegue la corretta manutenzione di questo motore o non si corregge un problema prima di utilizzarlo, si rischiano guasti significativi.

Alcuni guasti possono causare gravi lesioni personali o il decesso.

Seguire sempre i consigli riguardanti il controllo e la manutenzione riportati nel manuale d'uso.

Per aiutarvi a prendervi cura del motore in modo efficiente, le seguenti pagine comprendono un programma di manutenzione, le procedure di controllo di routine e le semplici procedure di manutenzione effettuabili con gli utensili manuali essenziali. Le altre attività di manutenzione più complesse, o che richiedono utensili speciali, vengono eseguite al meglio dai professionisti e sono solitamente effettuate da tecnici Honda o meccanici qualificati.

Il programma di manutenzione è applicabile alle normali condizioni di funzionamento. Se il motore viene azionato in condizioni gravose, quali carichi elevati prolungati o alte temperature, o viene utilizzato in condizioni insolitamente umide o polverose, rivolgersi al concessionario per i consigli applicabili ad ogni singola necessità e impiego.

**Usare soltanto ricambi originali Honda Genuine o pezzi equivalenti. L'uso di componenti di ricambio di qualità non equivalente potrebbe danneggiare il motore.**

### SICUREZZA DURANTE LA MANUTENZIONE

Di seguito sono elencate alcune delle principali precauzioni di sicurezza. Tuttavia, ricordarsi che è impossibile avvisare di tutti i pericoli possibili che possono insorgere durante le attività di manutenzione. Solo l'addetto all'intervento può decidere se è necessario eseguire una determinata procedura.

#### ATTENZIONE

La manutenzione impropria può compromettere la sicurezza di utilizzo.

La mancata osservanza delle istruzioni e delle precauzioni di manutenzione può causare lesioni personali gravi o il decesso.

Seguire sempre le procedure e le precauzioni indicate in questo manuale d'uso.

### PRECAUZIONI DI SICUREZZA

- Controllare che il motore sia spento prima di iniziare qualsiasi tipo di intervento di manutenzione o di riparazione. Per evitare avviamenti involontari, scollegare il cappuccio della candela. Ciò contribuirà ad eliminare numerosi potenziali rischi:
  - **Avvelenamento da monossido di carbonio provocato dagli scarichi del motore.**  
Azionare all'aperto lontano da porte e finestre.
  - **Ustioni provocate da parti calde.**  
Lasciare raffreddare il motore e l'impianto di scarico prima di toccare.
  - **Lesioni provocate da parti in movimento.**  
Non azionare il motore se non si è stati istruiti a farlo.
- Leggere tutte le istruzioni prima di iniziare ed accertarsi di avere gli attrezzi e i requisiti richiesti.
- Per ridurre la possibilità di incendio o esplosione, prestare particolare attenzione quando si lavora in prossimità del GPL. Per pulire i componenti, utilizzare soltanto solventi incombustibili, mai benzina. Tenere lontano sigarette, scintille e fiamme da tutti i componenti correlati al carburante.

Ricordarsi che i concessionari autorizzati Honda conoscono al meglio il vostro motore e sono perfettamente equipaggiati per effettuare interventi di manutenzione e riparazione. Per garantire la migliore qualità e affidabilità, in occasione di riparazioni e sostituzioni utilizzare soltanto componenti originali Honda nuovi o loro equivalenti.

6

## PROGRAMMA DI MANUTENZIONE

INTERVALLO DI MANUTENZIONE PERIODICA (1)		Ad ogni uso	Primo mese o 20 ore	Ogni 3 mesi o 50 ore	Ogni 6 mesi o 100 ore	Ogni anno o 300 ore	Fare riferimento a pagina
Effettuare ad ogni intervallo di mesi o ore di funzionamento indicati, a seconda di quello che si verifica prima.							
VOCE							
Olio motore	Controllare il livello	o					7
	Sostituire		o		o		
Filtro aria	Controllare	o					8
	Pulire			o (2)			8
	Sostituire					o	
Candela	Controllare-regolare				o		9
	Sostituire					o	
Regime minimo	Controllare-regolare					o (3)	9
Gioco valvole	Controllare-regolare					o (3)	Manuale d'officina
Camera di combustione	Pulire	Ogni 500 ore (3)					Manuale d'officina
Regolatore di rapporto aria/gas	Controllare-pulire	Ogni 2 anni o 300 ore (Sostituzione parti secondo necessità)(3)(4)					Manuale d'officina
Tubo del carburante Tubo di arresto Tubo di sfogo	Controllare	Ogni 2 anni (Sostituire se necessario) (3)(4)					Manuale d'officina

- (1) Per l'uso commerciale, registrare le ore di funzionamento per determinare i corretti intervalli di manutenzione.
- (2) Quando si utilizza la macchina in zone polverose, eseguire le operazioni di manutenzione con maggiore frequenza.
- (3) La manutenzione di tali parti deve essere effettuata dal proprio concessionario, a meno che non si disponga degli utensili adeguati e delle necessarie conoscenze meccaniche. Fare riferimento al manuale d'officina Honda per le procedure di manutenzione.
- (4) Verificare che non siano presenti lesioni o danni e sostituire le parti in caso di anomalie.

Il mancato rispetto del programma di manutenzione potrebbe provocare guasti non coperti da garanzia.

### RIFORMIMENTO

#### Carburante consigliato

Propano	Butano
30%	70%
40%	60%
50%	50%
60%	40%
70%	30%

Questo motore è certificato per funzionare solo con GPL.

Il motore potrebbe non avviarsi a 0°C e a temperature inferiori a seconda della composizione e della quantità del gas rimanente nella bombola di GPL.

Occasionalmente si potrebbe percepire un "battito in testa" o un "din" (picchietto metallico) in caso di funzionamento a carichi elevati. Ciò non costituisce un problema.

Se il battito in testa o il picchietto avviene a regime del motore costante, con carichi normali, rivolgersi a un concessionario autorizzato Honda.

#### AVVISO

*Se si fa funzionare il motore in presenza di battito in testa o picchietto persistente si rischia di danneggiare il motore.*

*L'azionamento del motore in presenza di battito in testa o picchietto persistente è considerato uso improprio e le parti danneggiate a causa dell'uso improprio non sono coperte dalla garanzia limitata del distributore.*

ITALIANO

## OLIO MOTORE

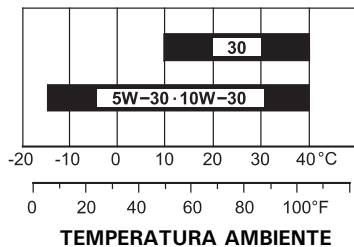
L'olio è uno dei fattori principali che influiscono sulle prestazioni e sulla vita utile.

Utilizzare un olio detergente per automobili con motore a 4 tempi destinato specificamente ai motori alimentati a GPL.

### Olio consigliato

Usare olio per motori a 4 tempi che sia almeno conforme ai requisiti per la categoria API SE o successive (o equivalenti). Controllare sempre l'etichetta di servizio API sul contenitore dell'olio per accertarsi che siano riportate le lettere SE o una classificazione successiva (o equivalente).

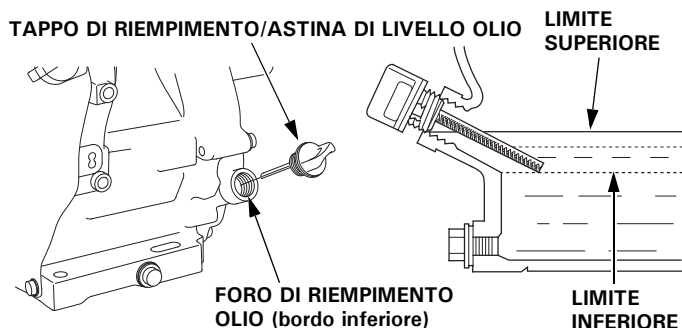
SAE 10W-30 è consigliato per l'uso generico. È possibile utilizzare le altre viscosità indicate nella tabella quando la temperatura media della propria zona è compresa nell'intervallo indicato.



### Controllo del livello dell'olio

Controllare il livello dell'olio motore a motore spento e su una superficie livellata.

1. Rimuovere il tappo di riempimento/astina di livello olio e pulire.
2. Inserire il tappo di riempimento/astina di livello dell'olio nel bocchettone di riempimento senza avvitarlo, quindi rimuoverlo per controllare il livello dell'olio.
3. Se il livello dell'olio è vicino o sotto la tacca del limite inferiore sull'astina, rabboccare con l'olio consigliato fino alla tacca del limite superiore (bordo inferiore del foro di rifornimento dell'olio). Non riempire eccessivamente.
4. Reinstallare il tappo di riempimento/astina di livello dell'olio.



### AVVISO

*Azionando il motore con un livello dell'olio basso si rischia di danneggiarlo. Questo tipo di danni non è coperto dalla garanzia.*

Il sistema Oil Alert (tipi applicabili) fermerà automaticamente il motore prima che l'olio scenda sotto il limite di sicurezza. Tuttavia, per evitare uno spegnimento inatteso, controllare sempre il livello dell'olio motore prima dell'avviamento.

## Cambio dell'olio

Scaricare l'olio esausto a motore caldo. L'olio caldo viene scaricato velocemente e completamente.

1. Posizionare un recipiente adatto sotto il motore per raccogliere l'olio esausto, quindi rimuovere il tappo di riempimento/astina di livello dell'olio, il bullone di scarico dell'olio e la rondella.
2. Lasciare scaricare completamente l'olio esausto, reinstallare il bullone di scarico dell'olio e una rondella di tenuta nuova, quindi serrare a fondo il bullone di scarico dell'olio.

Smaltire l'olio esausto rispettando l'ambiente. Si consiglia di versare l'olio esausto in un contenitore sigillato e di portarlo al proprio centro di riciclaggio locale o ad una stazione di rifornimento. Non gettarlo nella spazzatura, a terra o nei condotti di scarico.

3. Con il motore in posizione livellata, riempire con l'olio consigliato fino alla tacca del limite superiore (bordo inferiore del foro di rifornimento dell'olio) sull'astina di livello.

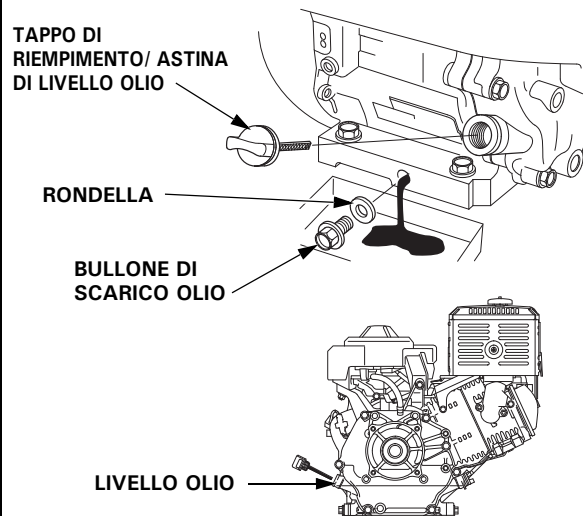
Capacità olio motore: GX200: 0,60 L  
GX390: 1,1 L

### AVVISO

*Azionando il motore con un livello dell'olio basso si rischia di danneggiarlo. Questo tipo di danno non è coperto dalla garanzia limitata del distributore.*

Il sistema Oil Alert (tipi applicabili) fermerà automaticamente il motore prima che l'olio scenda sotto il limite di sicurezza. Tuttavia, per evitare la molestia di uno spegnimento inatteso, rabboccare fino al limite superiore e controllare regolarmente il livello dell'olio.

4. Reinstallare il tappo di riempimento/astina di livello dell'olio e serrarlo saldamente.



Dopo aver maneggiato l'olio esausto, lavare le mani con acqua e sapone.

### AVVISO

*Smaltire l'olio esausto rispettando l'ambiente. Trasportarlo in un contenitore sigillato alla stazione di rifornimento locale. Non gettarlo nella spazzatura, a terra o nei condotti di scarico.*

## FILTRO ARIA

Un filtro sporco limita il flusso dell'aria al miscelatore, riducendo in tal modo le prestazioni del motore. Se si aziona il motore in zone molto polverose, pulire il filtro dell'aria più spesso di quanto specificato nel PROGRAMMA DI MANUTENZIONE (vedere pagina 6).

### AVVISO

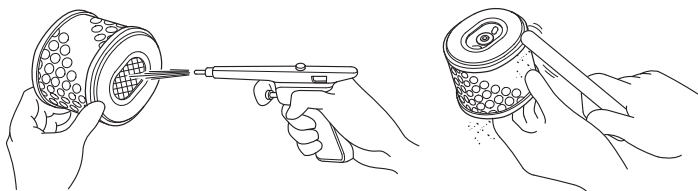
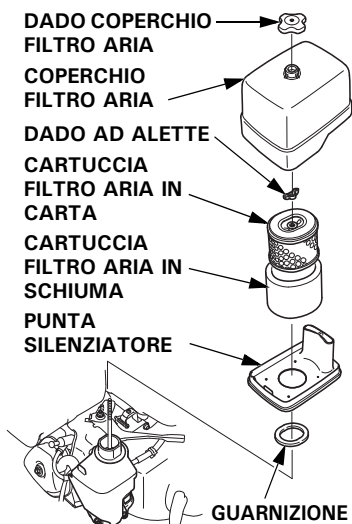
*L'azionamento del motore sprovvisto di filtro dell'aria o con un del filtro dell'aria danneggiato consentirà alle impurità di entrare nel motore, provocandone una rapida usura. Questo tipo di danno non è coperto dalla garanzia limitata del distributore.*

### Controllo

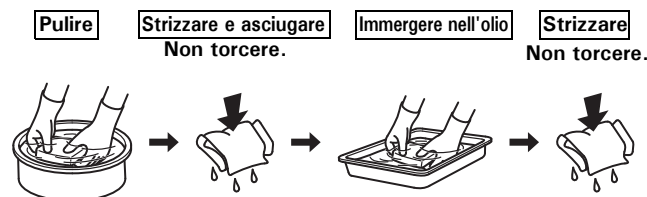
Rimuovere il coperchio del filtro dell'aria e controllare le cartucce. Le cartucce sporche devono essere pulite o sostituite. Sostituire sempre le cartucce danneggiate.

### Pulizia

1. Rimuovere il dado del coperchio del filtro dell'aria dal coperchio del filtro dell'aria e rimuovere il coperchio.
2. Rimuovere il dado ad alette dal filtro dell'aria e rimuovere il filtro.
3. Rimuovere cartuccia in schiuma del filtro aria dalla cartuccia in carta del filtro aria.
4. Controllare entrambe le cartucce e sostituirle se sono danneggiate. Sostituire sempre la cartuccia in carta all'intervallo programmato (vedere pagina 6).
5. Pulire le cartucce del filtro dell'aria se devono essere riutilizzate.



Cartuccia in schiuma: Pulire in acqua saponata tiepida, risciacquare e lasciare asciugare perfettamente. Oppure, pulire con un solvente non infiammabile e lasciare asciugare. Immergere la cartuccia del filtro in olio motore pulito, quindi strizzarla per espellere l'olio in eccesso. Se la spugna è particolarmente imbevuta di olio, fuoriuscirà del fumo dal motore al primo avviamento.



6. Pulire la sporcizia dall'interno della scatola del filtro dell'aria e del coperchio usando un panno umido. Accertarsi che non penetri sporcizia nel condotto dell'aria che porta al miscelatore.
7. Collocare l'elemento filtrante in schiuma sull'elemento filtrante in carta, quindi reinstallare il filtro dell'aria assemblato. Accertarsi che la guarnizione sia in posizione sotto il filtro dell'aria. Serrare saldamente il dado ad alette.
8. Installare il coperchio del filtro dell'aria e serrare saldamente il dado del coperchio del filtro dell'aria.

## CANDELA

**Candele consigliate: GX200: BPR6ES-5 (NGK)  
GX390: BP6ES (NGK)**

La candela consigliata ha il grado termico corretto per le temperature di funzionamento del motore normali.

### AVVISO

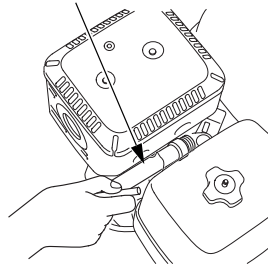
*Una candela non corretta può causare danni al motore.*

Se il motore stava funzionando lasciarlo raffreddare prima di intervenire sulla candela.

Per ottenere buone prestazioni, la distanza tra gli elettrodi deve essere corretta ed esente da depositi.

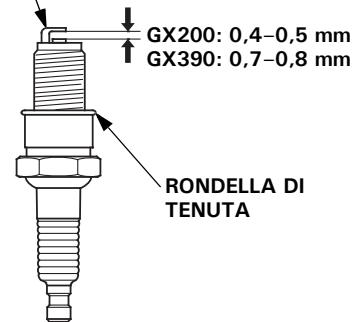
1. Scollegare il cappuccio della candela e rimuovere lo sporco dall'area intorno alla candela.
2. Rimuovere la candela usando un'apposita chiave.
3. Controllare la candela. Sostituirla se è danneggiata o molto imbrattata, se la rondella di tenuta è in cattive condizioni o se l'elettrodo è usurato.

### CHIAVE PER CANDELE



4. Misurare la distanza tra gli elettrodi della candela con uno spessore a filo. Correggere la distanza secondo necessità, piegando con attenzione l'elettrodo laterale. La distanza deve essere:  
GX200: 0,4–0,5 mm  
GX390: 0,7–0,8 mm

### ELETTRODO LATERALE



5. Installare con attenzione la candela, a mano, per evitare di danneggiare la filettatura.
6. Una volta alloggiata la candela, serrare con una chiave per candele per comprimere la rondella di tenuta.

Quando si installa una candela nuova, serrare di 1/2 giro una volta alloggiata la candela per comprimere la rondella.

Quando si reinstalla la candela originale, serrare di 1/8–1/4 di giro una volta alloggiata la candela per comprimere la rondella.

**COPPIA DI SERRAGGIO: 18 N·m (1,8 kgf·m)**

### AVVISO

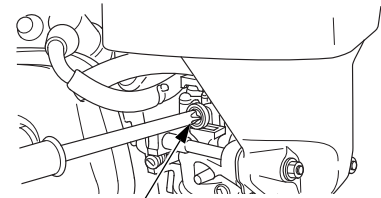
*Una candela allentata può surriscaldare e danneggiare il motore.  
Un serraggio eccessivo della candela può danneggiare la filettatura nella testata.*

7. Fissare il cappuccio della candela sulla candela.

## REGIME DI MINIMO

### Registrazione

1. Avviare il motore all'aperto e lasciarlo scaldare fino a raggiungere la temperatura di esercizio.
2. Spostare la leva dell'acceleratore sulla posizione minima.
3. Ruotare la vite di arresto dell'acceleratore per ottenere il regime minimo standard.



### VITE DI ARRESTO VALVOLA A FARFALLA

Regime minimo standard: GX200: 1.400 + 200 min<sup>-1</sup>(giri/min)  
– 150 min<sup>-1</sup>(giri/min)  
GX390: 1.400 ± 150 min<sup>-1</sup>(giri/min)

## CONSIGLI E SUGGERIMENTI UTILI

### RIMESSAGGIO DEL MOTORE

#### Preparazione per il rimessaggio

Spegnere il motore e chiudere la valvola di erogazione del GPL. Per i modelli indonesiani, scollegare il regolatore di bassa pressione prima di rimuovere il tubo.

Una corretta preparazione al rimessaggio è fondamentale per evitare che il motore subisca danni, sia interni sia esterni. I seguenti passaggi contribuiranno ad evitare che la ruggine e la corrosione rovinino la funzionalità e l'aspetto del motore e semplificheranno l'accensione del motore quando verrà nuovamente usato.

#### Pulizia

Se il motore era in funzione, lasciarlo raffreddare almeno mezz'ora prima di pulirlo. Pulire tutte le superfici esterne, ritoccare la vernice danneggiata e applicare un leggero strato di olio sulle altre parti che potrebbero essere soggette a ruggine.

#### AVVISO

*L'uso di una canna da giardinaggio o di un apparecchio di lavaggio a pressione potrebbe far penetrare acqua nell'apertura del filtro dell'aria o del silenziatore. L'acqua penetrata nel filtro dell'aria lo impregnerà e l'acqua che passa attraverso il filtro o il silenziatore potrebbe entrare nel cilindro, danneggiandolo.*

#### Olio motore

1. Sostituire l'olio motore (vedere pagina 7).

#### Cilindro del motore

1. Rimuovere la candela.
2. Versare un cucchiaino, 5-10 cm<sup>3</sup>, di olio motore pulito nel cilindro.
3. Tirare l'impugnatura del motorino di avviamento diverse volte per distribuire l'olio nel cilindro.
4. Reinstallare la candela.
5. Tirare lentamente la maniglia di avviamento finché non si avverte resistenza. In questo modo si chiuderanno le valvole, impedendo all'umidità di entrare nel cilindro del motore. Rilasciare l'impugnatura del motorino di avviamento delicatamente.
6. Coprire il motore per ripararlo dalla polvere.

#### Precauzioni per il rimessaggio

Scegliere un'area di rimessaggio ben ventilata e lontana da apparecchi che funzionano a fiamma, quali caldaie, scaldabagni o asciugabiancheria. Evitare inoltre le aree in cui è presente un motorino elettrico che produce scintille o dove vengono utilizzati attrezzi elettrici.

Se possibile, evitare aree di rimessaggio molto umide, perché l'umidità favorisce la ruggine e la corrosione.

Tenere il motore in piano durante il rimessaggio. L'inclinazione potrebbe causare perdite di olio.

Con il motore e l'impianto di scarico freddi, coprire il motore per proteggerlo dalla polvere. Un motore e un impianto di scarico caldi possono incendiare o sciogliere determinati materiali. Non usare un foglio di plastica come protezione antipolvere.

Una protezione non porosa intrappolerà l'umidità attorno al motore favorendo la ruggine e la corrosione.

#### Rimozione dal rimessaggio

Controllare il motore come descritto nella sezione **CONTROLLI PRIMA DELL'USO** di questo manuale (vedere pagina 3).

Se il cilindro è stato ricoperto d'olio durante la preparazione al rimessaggio, fuoriuscirà del fumo dal motore al primo avviamento. Ciò è normale.

#### TRASPORTO

Se il motore era in funzione, lasciarlo raffreddare per almeno 15 minuti prima di caricare l'apparecchiatura alimentata da questo motore sul veicolo di trasporto. Con il motore e il sistema di scarico caldi è facile ustionarsi e alcuni materiali potrebbero prendere fuoco.

Prima di trasportare il motore, è necessario scollegare il tubo del GPL. È obbligatorio scollegare il tubo del GPL.

## TRATTAMENTO DEI PROBLEMI IMPREVISTI

### IL MOTORE NON SI AVVIA

Possibile causa	Correzione
Interruttore motore su OFF (spegnimento).	Portare l'interruttore del motore su ON (accensione).
Carburante esaurito.	Effettuare il rifornimento (pag. 6).
Livello olio motore basso (modelli con sistema Oil Alert).	Rabboccare con l'olio consigliato fino al livello corretto (pag. 7).
Candela difettosa, imbrattata o distanza tra gli elettrodi non corretta.	Correggere la distanza o sostituire la candela (pag. 9).
Guasto del miscelatore, difficoltà di accensione, valvole bloccate e così via.	Portare il motore presso il concessionario o consultare il manuale d'officina.

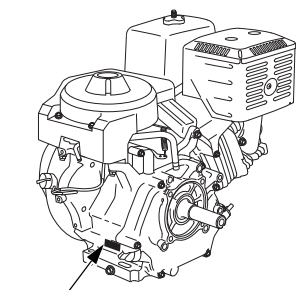
### PERDITA DI POTENZA DEL MOTORE

Possibile causa	Correzione
Elemento (o elementi) del filtro ostruito.	Pulire o sostituire gli elementi del filtro (pag. 8).
La qualità del carburante o la pressione è scarsa.	Utilizzare una fonte di GPL affidabile.
Guasto del miscelatore, difficoltà di accensione, valvole bloccate e così via.	Portare il motore presso il concessionario o consultare il manuale d'officina.

## INFORMAZIONI TECNICHE

### Ubicazione del numero di serie

Annotare il numero di serie del motore nello spazio sottostante. Tale informazione è necessaria quando si ordinano pezzi o si inoltrano richieste di informazioni tecniche o riguardanti la garanzia.



UBICAZIONE NUMERO DI SERIE E TIPO DI MOTORE

Numero di serie motore: \_\_\_\_\_

Tipo di motore: \_\_\_\_\_

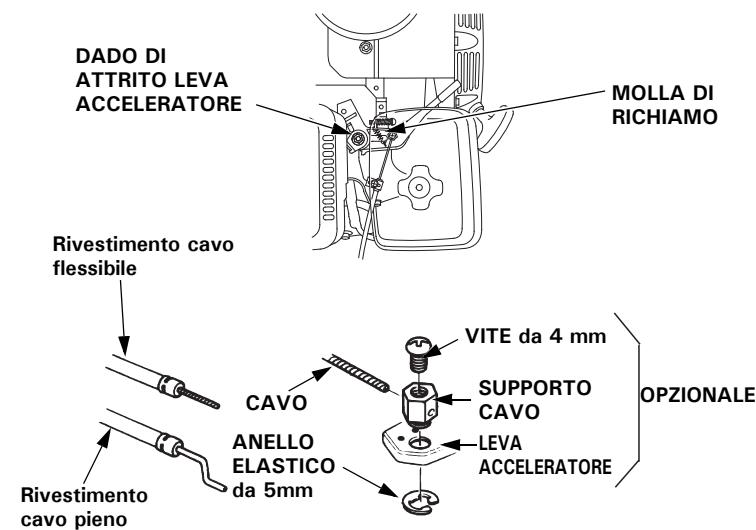
Data di acquisto: \_\_\_\_ / \_\_\_\_ / \_\_\_\_

### Collegamento comando a distanza

La leva del comando dell'acceleratore è munita di foro per l'accessorio opzionale del cavo. Le seguenti illustrazioni mostrano un esempio di installazione di un cavo pieno e di un cavo flessibile intrecciato. Se si usa un cavo flessibile intrecciato aggiungere una molla di richiamo come indicato in figura.

È necessario allentare il dado di attrito della leva dell'acceleratore quando si aziona l'acceleratore tramite un comando remoto.

#### LEVERAGGIO DI COMANDO ACCELERATORE REMOTO



### Uso del motore ad altitudini elevate

Il motore alimentato a GPL non richiede alcuna modifica per il funzionamento ad altitudini elevate. Tuttavia le prestazioni e la potenza risulteranno ridotte.

### Specifiche

#### GX200 (PTO albero motore tipo Q)

Lunghezza × Larghezza × Altezza	321 × 376 × 335 mm
Massa a secco [Peso]	16,0 kg
Tipo di motore	4 tempi, valvola in testa, monocilindrico
Cilindrata [Alesaggio × corsa]	196 cm <sup>3</sup> [68,0 × 54,0 mm]
Potenza netta (in base alla normativa SAE J1349*)	4,1 kW (5,6 PS) / 3.600 min <sup>-1</sup> (giri/min)
Coppia massima netta (in base alla normativa SAE J1349*)	12,4 N·m (1,26 kgf·m) / 2.500 min <sup>-1</sup> (giri/min)
Capacità olio motore	0,60 L
Sistema di raffreddamento	Aria a circolazione forzata
Sistema di accensione	Magnetico a transistor
Rotazione albero PTO	In senso antiorario

#### GX390 (PTO albero motore tipo Q)

Lunghezza × Larghezza × Altezza	406 × 460 × 448 mm
Massa a secco [Peso]	30,7 kg
Tipo di motore	4 tempi, valvola in testa, monocilindrico
Cilindrata [Alesaggio × corsa]	389 cm <sup>3</sup> [88,0 × 64,0 mm]
Potenza netta (in base alla normativa SAE J1349*)	7,9 kW (10,7 PS)/3.600 min <sup>-1</sup> (giri/min)
Coppia massima netta (in base alla normativa SAE J1349*)	24,0 N·m (2,45 kgf·m) / 2.500 min <sup>-1</sup> (giri/min)
Capacità olio motore	1,1 L
Sistema di raffreddamento	Aria a circolazione forzata
Sistema di accensione	Magnete CDI
Rotazione albero PTO	In senso antiorario

\* La potenza nominale del motore indicata in questo documento si riferisce alla potenza netta rilevata su questo modello di motore in fase di produzione ed è stata misurata secondo la procedura SAE J1349 a 3.600 min<sup>-1</sup>(giri/min) (potenza netta) e a 2.500 min<sup>-1</sup>(giri/min) (coppia massima netta). Questo valore potrebbe variare per i motori prodotti in serie. La potenza effettiva del motore installato nella macchina finale può variare a seconda di numerosi fattori, inclusa la velocità di funzionamento del motore nella sua applicazione, le condizioni ambientali, il livello di manutenzione e altre variabili.

#### Specifiche per la messa a punto

##### GX200

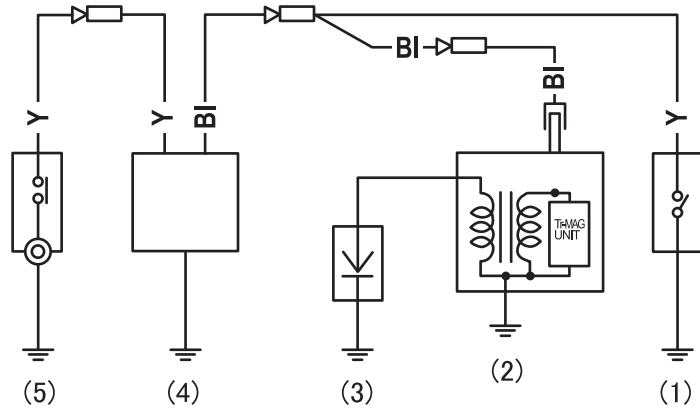
VOCE	SPECIFICHE	MANUTENZIONE
Traferro candela	0,4-0,5 mm	Vedere pagina: 9
Regime minimo	1.400 + 200 min <sup>-1</sup> (giri/min) - 150 min <sup>-1</sup> (giri/min)	
Gioco valvole (a freddo)	ASP.: 0,15 ± 0,02 mm SCAR.: 0,20 ± 0,02 mm	Rivolgersi al proprio concessionario autorizzato Honda
Altre specifiche	Non sono richieste altre regolazioni.	

##### GX390

VOCE	SPECIFICHE	MANUTENZIONE
Traferro candela	0,7-0,8 mm	Vedere pagina: 9
Regime minimo	1.400 ± 150 min <sup>-1</sup> (giri/min)	
Gioco valvole (a freddo)	ASP.: 0,15 ± 0,02 mm SCAR.: 0,20 ± 0,02 mm	Rivolgersi al proprio concessionario autorizzato Honda
Altre specifiche	Non sono richieste altre regolazioni.	

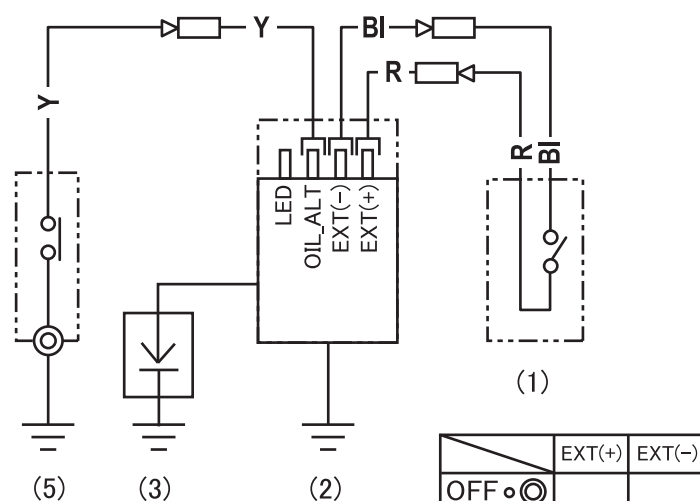
**Schemi elettrici**

**GX200**



	IGN	EARTH
OFF ●	○	○
ON ○	□	

**GX390**



	EXT(+)	EXT(-)
OFF ●		
ON ○	○	○

- (1) INTERRUTTORE MOTORE
- (2) BOBINA DI ACCENSIONE
- (3) CANDELA
- (4) SISTEMA DI ALLARME OLIO
- (5) INTERRUTTORE LIVELLO OLIO

BI	Nero
Y	Giallo
R	Rosso

**INFORMAZIONI PER L'UTILIZZATORE**

**INFORMAZIONI PER L'INDIVIDUAZIONE DI UN DISTRIBUTORE/ CONCESSIONARIO**

Visitare il nostro sito internet: <http://www.honda-engines-eu.com>

**INFORMAZIONI SULL'ASSISTENZA CLIENTI**

Il personale delle concessionarie è costituito da professionisti addestrati. Essi dovrebbero essere in grado di rispondere alle vostre domande. Se avete un problema che il rivenditore non risolve al meglio, rivolgetevi alla direzione della concessionaria. Il responsabile dell'assistenza, il direttore generale o il proprietario potranno aiutarvi.

La maggior parte dei problemi sono risolvibili in questo modo.

Se non siete soddisfatti della decisione presa dalla direzione della concessionaria, rivolgetevi all'ufficio Honda indicato.

**< Ufficio Honda >**

Quando scrivete o chiamate, siete pregati di fornire le seguenti informazioni:

- Nome del fabbricante e numero di modello dell'apparecchio su cui è montato il motore
- Modello del motore, numero di serie e tipo (vedere pagina 11)
- Nome del rivenditore che vi ha venduto il motore
- Nome, indirizzo e persona di contatto dell'officina che effettua la manutenzione del vostro motore
- Data dell'acquisto
- Il vostro nome, indirizzo e numero di telefono
- Una descrizione dettagliata del problema

**Honda Motor Europe Logistics NV.**  
European Engine Center

<http://www.honda-engines-eu.com>

Per l'assistenza contattare il proprio distributore Honda.

**HONDA**